

## INSTALLATION INSTRUCTIONS



### IMPORTANT

Before opening your Lights.com fixture, please make sure that you carefully read through these instruction sheets. Consider having your fixture installed by a qualified licensed electrician.

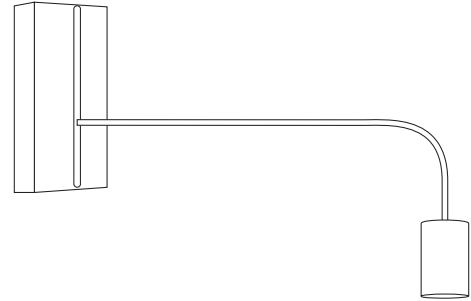
**NOTE:** The important safeguards and instructions that appear in this manual are not meant to cover all possible conditions and situations that may occur. It must be understood that common sense, caution and care, are factors that can't be built into any product. This approach must be used by the person(s) caring for and operating the fixture.

### GENERAL INFORMATION

All electrical connections must be in accordance with all ordinances, local and national electrical codes. These fixtures are intended for mounting to a standard 4" x 2 1/2" metal octagon outlet box. The box must be directly supported by the building structure and U.L. Recognized.

### STEP BY STEP INSTRUCTIONS

Before starting your installation disconnect the power by turning off the circuit breaker or by removing the fuse at the fuse box. Just turning the light off at the light switch is not sufficient to prevent electrical shock.



#### Collection

Prospect

#### Application

Wall Sconce

#### Model No.

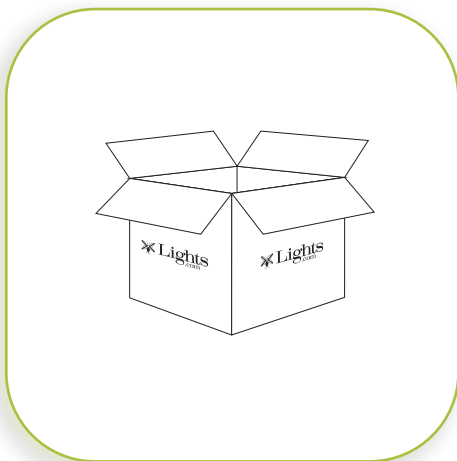
LC003537  
LC003538  
LC003539  
LC003705  
LC004108

#### WHAT WE PROVIDE

- Mounting & Wiring Hardware
- 1x 12" Metal Rod Cover
- Optional Cord Plug + Dimmer
- Wall Anchor Kit

#### WHAT YOU NEED

- Phillips Screwdriver
- Wire Cutters
- Pliers
- Wiring Supplies As Specified By Electrical Code
- 1 X 60w E26 Bulb
- Electrical Tape

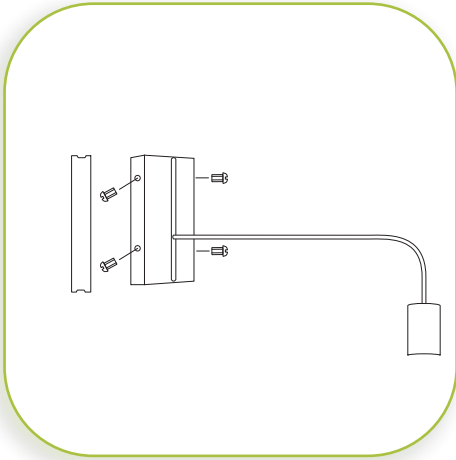


# 1

### UNPACK FIXTURE

## HARDWIRE

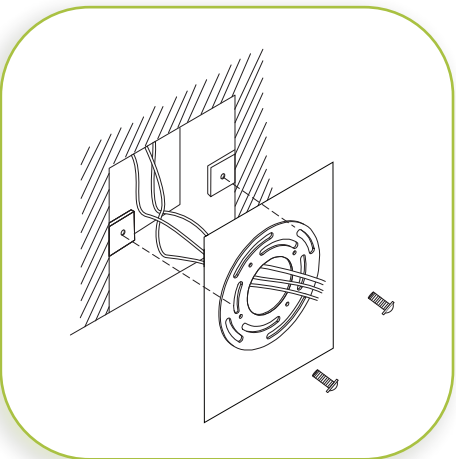
Please note the following parts will not be required for hardwire installation: cord plug and dimmer, wall anchor kit.



# 2

### PREPARE FIXTURE AND MOUNTING PLATE

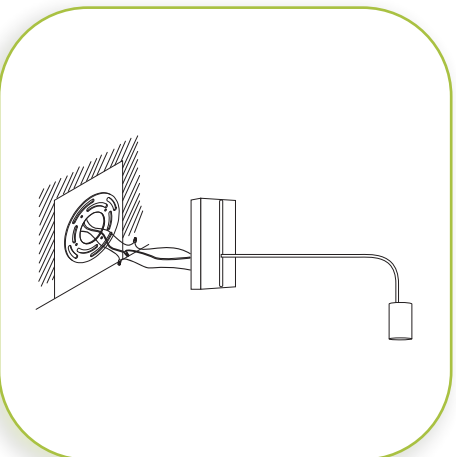
Remove the mounting plate by unscrewing the side screws from the backplate.



# 3

### INSTALL THE MOUNTING PLATE

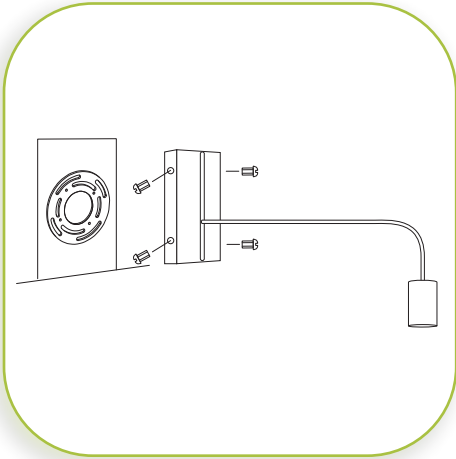
If there is an existing fixture, remove it. Expose the supply wires from the J-Box. Insert supply wires through the mounting plate. Secure mounting plate using two Phillips head screws provided. Tighten to secure.



# 4

### CONNECT WIRES

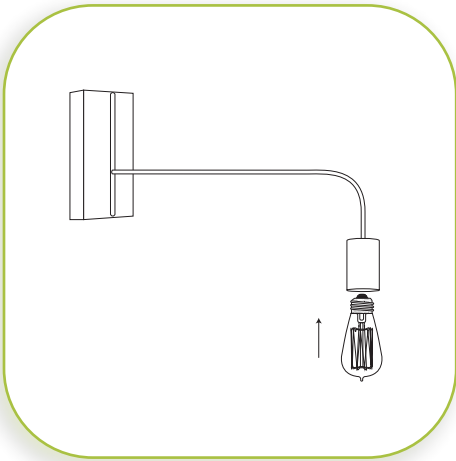
Connect the BLACK fixture wire to the BLACK supply wire and the WHITE fixture wire to the WHITE supply wire. Connect the fixture ground wire to the J-BOX ground wire. Secure all connections with the supplied wire nuts and electrical tape (not supplied).



# 5

## CONNECT FIXTURE TO WALL

Place backplate over mounting plate. Slightly adjust to align two holes on each side. Secure using supplied screws.



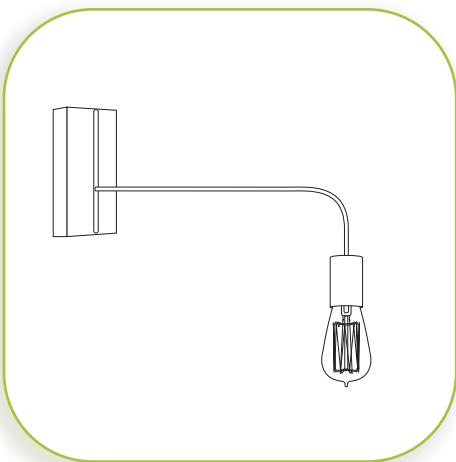
# 6

## INSTALL THE BULB

Insert the bulb.

MAXIMUM WATTAGE 60W.

DO NOT EXCEED THE WATTAGE AS STATED ON THE WARNING LABEL.



# 7

## RESTORE THE ELECTRICITY AND CHECK THE OPERATION OF YOUR NEW FIXTURE

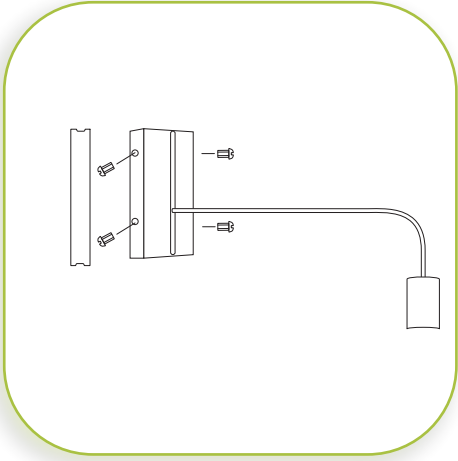


## DIMMER NOTE

Note: For the best lighting experience, we recommend using a dimmer. Not only does this allow you to create a great ambiance, it allows for energy savings and extends the life of the bulb.

## **PLUG-IN**

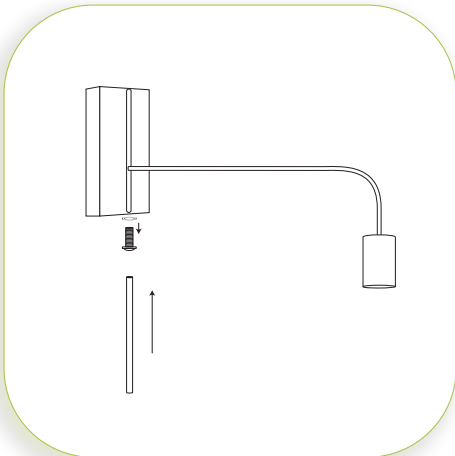
Please follow these steps for plug-in installation



# 2

### **PREPARE FIXTURE AND MOUNTING PLATE**

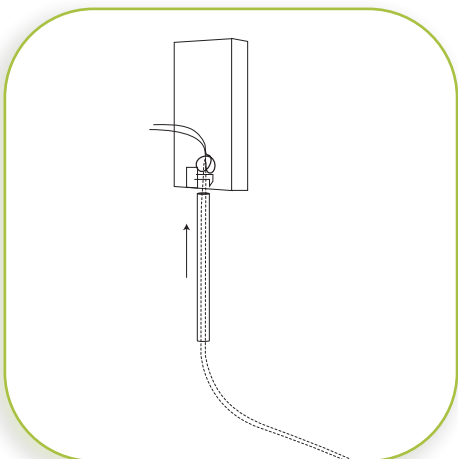
Remove the mounting plate by unscrewing the side screws from the canopy.



# 3

### **REMOVE FLATHEAD SCREW**

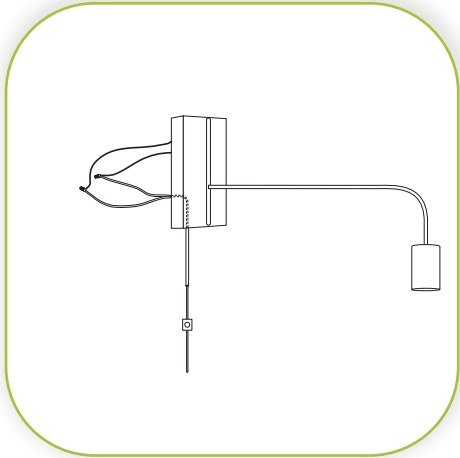
Remove large flathead screw on bottom of backplate. Insert 12" cord cover into hole. Secure with supplied nut.



# 4

### **THREAD WIRE**

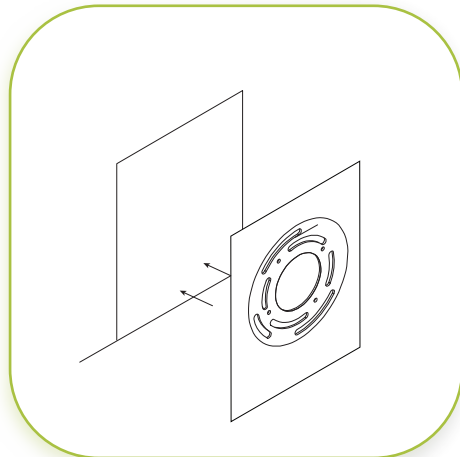
Thread loose end of wire through hole in decorative nut until 6" of wire is exposed inside of backplate. Tie knot in the wire to prevent wire from being pulled through cord cover.



# 5

## MAKE WIRE CONNECTIONS

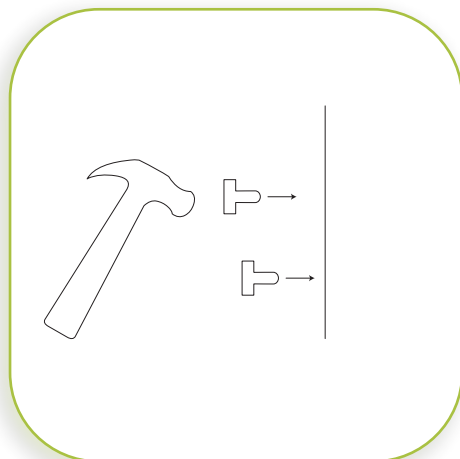
Connect the **BLACK** fixture wire with one end of the plug wire. Connect the **WHITE** fixture wire to the other end of the plug wire. Use supplied wire nuts to secure. Secure **all** wire connections with electrical tape (not supplied). Tuck **all** wires carefully into backplate.



# 6

## MARK HOLES IN WALL

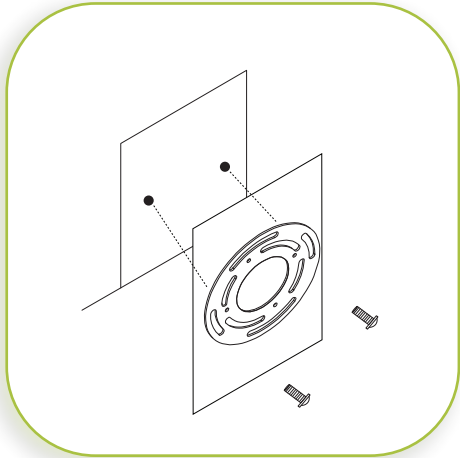
Determine exact location on wall to mount fixture. Hold mounting plate on the wall and mark two holes that will be used to install anchors and screws. Set mounting plate aside.



# 7

## MOUNT ANCHORS

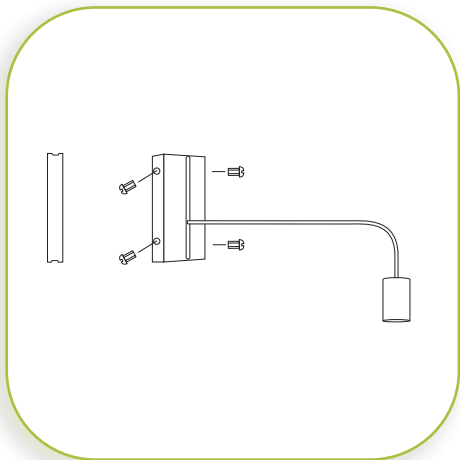
Make two holes in wall just large enough to allow wall anchors to be recessed. Gently hammer wall anchors into holes until flush with wall.



# 8

### SECURE MOUNTING PLATE TO WALL

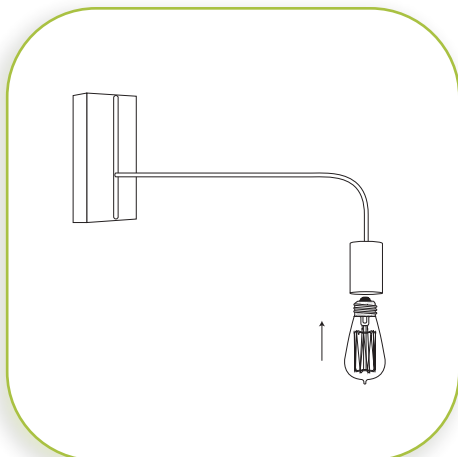
Re-align mounting plate with wall anchors; secure with two screws provided. Prior to tightening, please make any minor adjustments needed.



# 9

### CONNECT FIXTURE TO WALL

Place backplate over mounting plate. Slightly adjust to align four holes, two on each side. Secure using supplied screws.



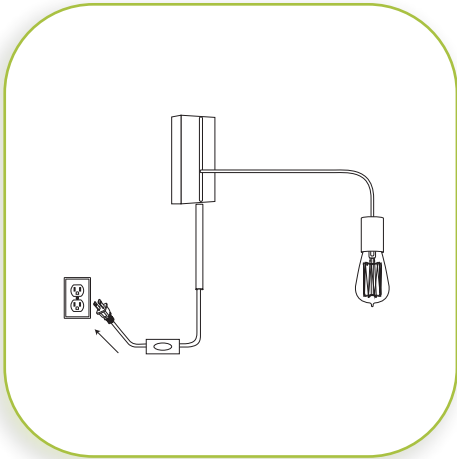
# 10

### INSTALL THE BULB

Insert the bulb.

MAXIMUM WATTAGE 60W.

DO NOT EXCEED THE WATTAGE AS STATED ON THE WARNING LABEL.



# 11

## PLUG IN FIXTURE

### DIMMER NOTE

Lamp is equipped with an in-line dimmer switch. For the best lighting experience, we recommend using a dimmer. Not only does this allow you to create a great ambiance, it allows for energy savings and extends the life of the bulbs.