

INSTALLATION INSTRUCTIONS



IMPORTANT

Before operating your Lights.com Adoria Metal Lantern with Fairy Lights, please make sure that you carefully read through these instruction sheets.

NOTE: The important safeguards and instructions that appear in this manual are not meant to cover all possible conditions and situations that may occur. It must be understood that common sense, caution and care are factors that can't be built into any product. This approach must be used by the person(s) caring for and operating the lantern.

GENERAL INFORMATION

DO NOT attempt to replace or repair any damaged parts of the lantern.

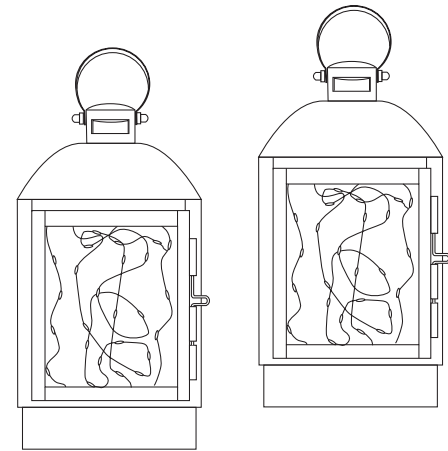
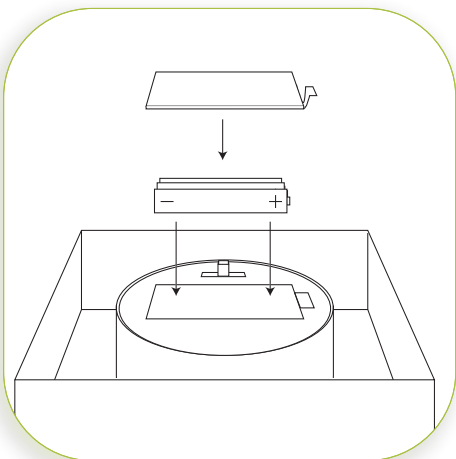
After use, ensure the lantern is clean and dry before storage.

Only batteries of the same or equivalent type as recommended should be used. Battery leakage can cause corrosion and damage to this product so please remove non-functioning batteries immediately. Remove the batteries from product during long periods of non-use.

DO NOT DISPOSE OF IN FIRE. Please dispose at your local recycling facility.

STEP BY STEP INSTRUCTIONS

Before opening your lantern, Before turning on your candles, **locate the batteries on the inside of the styrofoam packaging.** Then, remove the plastic from around the batteries and insert them into the the battery compartment.



MODEL NO.

LC004744

LC004745

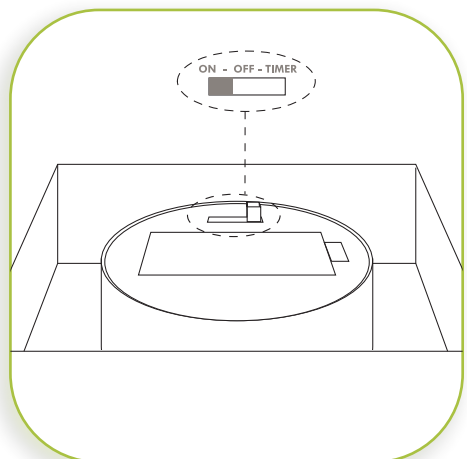
WHAT WE PROVIDE

- Adoria Metal Lantern with Fairy Lights, Set of 2
- 6 AAA Batteries (3 Per Lantern)

BATTERY INSTALLATION

The lantern works with 3 x AAA batteries. The battery compartment is located on the bottom of the lantern. Batteries should be inserted with the correct polarity as indicated (+/-) and battery compartments secured before use.

INSTALLATION INSTRUCTIONS



2

ON/OFF/TIMER SWITCH

The ON/OFF/TIMER switch is located on the bottom of the lantern, next to the battery compartment. Utilize this switch to operate the lantern.