

INSTALLATION INSTRUCTIONS



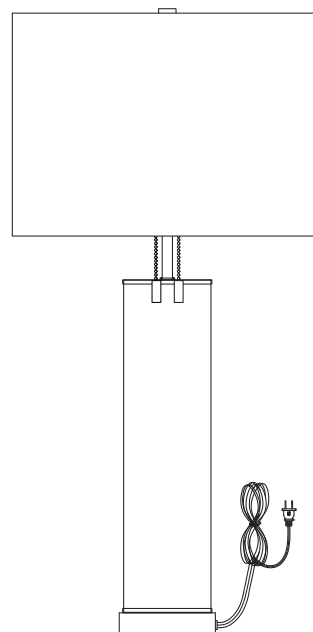
IMPORTANT

Before operating your Lights.com table lamp, please make sure that you carefully read through these instruction sheets.

NOTE: The important safeguards and instructions that appear in this manual are not meant to cover all possible conditions and situations that may occur. It must be understood that common sense, caution and care, are factors that can't be built into any product. This approach must be used by the person(s) caring for and operating the fixture.

GENERAL INFORMATION

All electrical connections must be in accordance with all ordinances, local and national electrical codes.



COLLECTION

Laurel

APPLICATION

Table Lamp

MODEL NO.

LC004980

LC004981

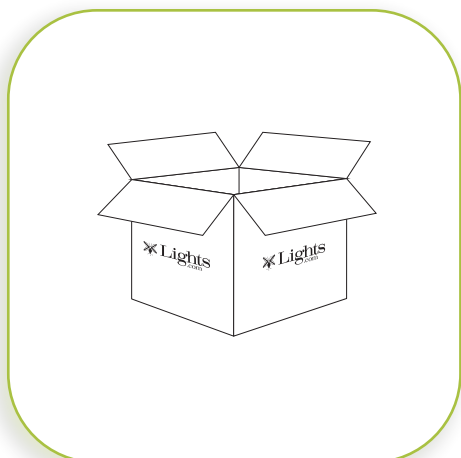
WHAT WE PROVIDE

- Lamp
- Dimmer Switch

WHAT YOU NEED

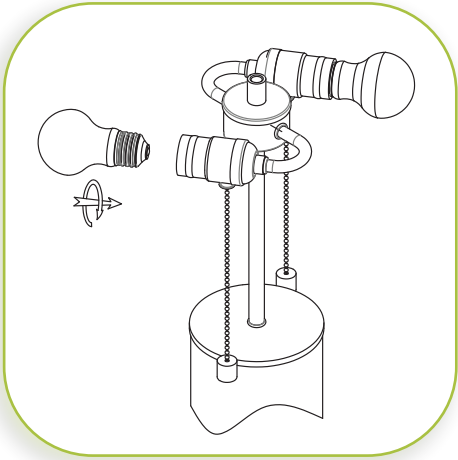
- 2x 60W E26 Bulbs

STEP BY STEP INSTRUCTIONS



1

UNPACK YOUR FIXTURE



2

INSTALL THE BULBS

Insert the bulbs.

MAXIMUM WATTAGE 60W.

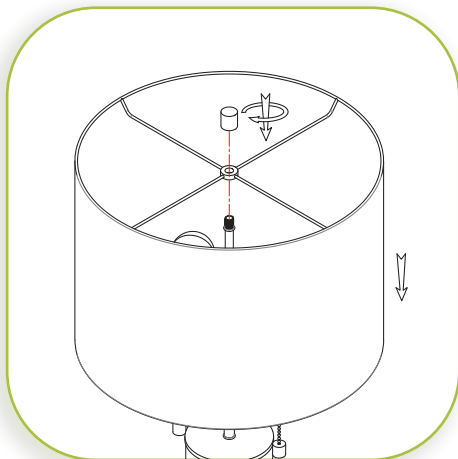
DO NOT EXCEED THE WATTAGE AS STATED ON THE WARNING LABEL.



3

INSTALL THREADED PIPE

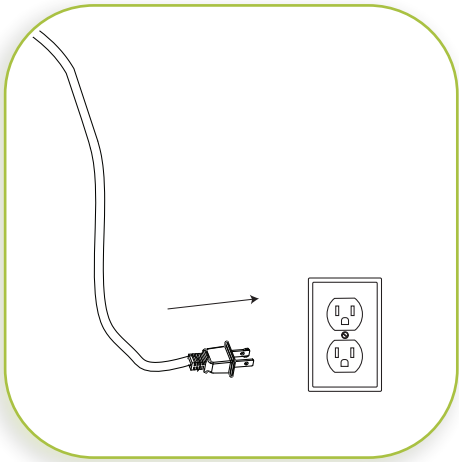
Install the short threaded pipe onto the top of the lamp with the collar facing up.



4

INSTALL LAMPSHADE

Install the lampshade onto the short threaded pipe and secure using the finial.



5

PLUG IN LAMP