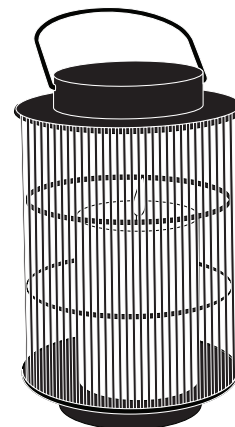




IMPORTANT

Before opening your LampLust Mariposa Metal Lantern, please make sure that you carefully read through these instruction sheets.

NOTE: The important safeguards and instructions that appear in this manual are not meant to cover all possible conditions and situations that may occur. It must be understood that common sense, caution and care are factors that can't be built into any product. This approach must be used by the person(s) caring for and operating the lanterns.



GENERAL INFORMATION

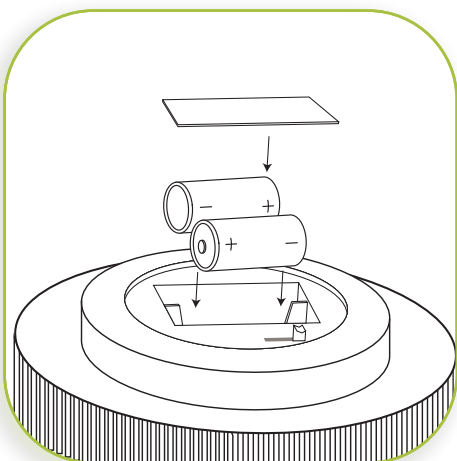
Battery installation should only be performed by an adult. Only batteries of the same or equivalent type as recommended should be used. Battery leakage can cause corrosion and damage to this product so please remove non-functioning batteries immediately. Remove the batteries from product during long periods of non-use. DO NOT DISPOSE OF IN FIRE. Please dispose at your local recycling facility.

WHAT WE PROVIDE

- Mariposa Metal Lantern with flameless Candle
- 2 C Batteries

STEP BY STEP INSTRUCTIONS

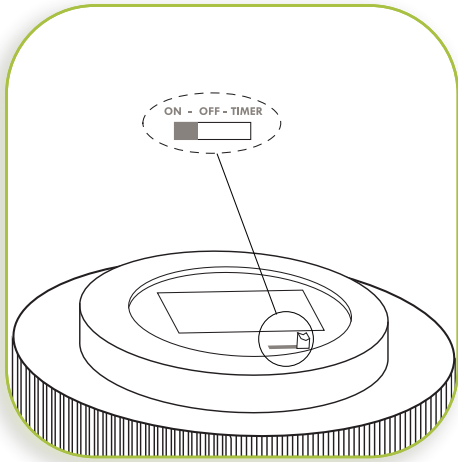
Before turning on your lanterns, **locate the batteries on the inside of the packaging**. Then remove the plastic from around the batteries and insert them into the the battery compartment.



1

BATTERY INSTALLATION

The lanterns work with 2 x C batteries. The battery compartment is located on the bottom of the lanterns. To install new batteries, unscrew the panel on the bottom. Batteries should be inserted with the correct polarity as indicated (+/-) and battery compartments secured before use.



2

ON/OFF/TIMER SWITCH

The ON/OFF/TIMER switch is located on the bottom of the lantern, next to the battery compartment. Utilize this switch to operate the lantern.