

## INSTRUCTIONS



### IMPORTANT

Before using your LampLust Ivy White Flameless Window Candles, please make sure that you carefully read through these instruction sheets.

**NOTE:** The important safeguards and instructions that appear in this manual are not meant to cover all possible conditions and situations that may occur. It must be understood that common sense, caution and care are factors that can't be built into any product. This approach must be used by the person(s) caring for and operating the candles.

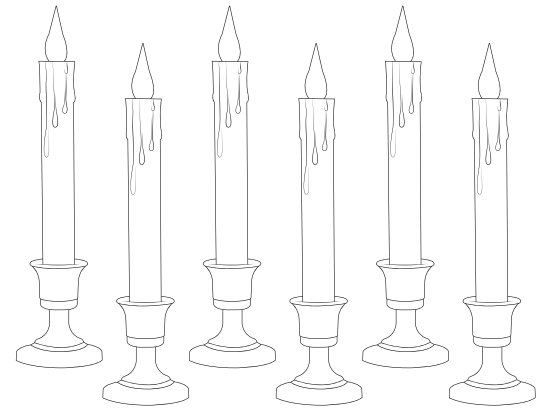
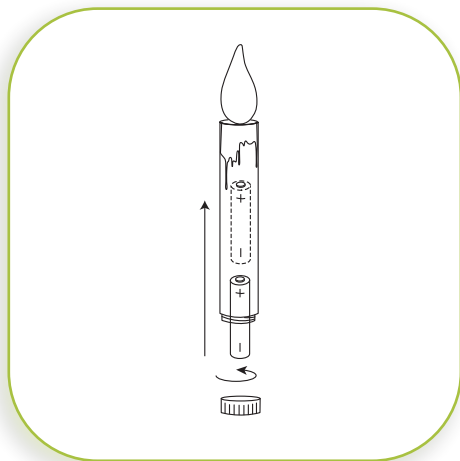
### GENERAL INFORMATION

Battery installation should only be performed by an adult. Only batteries of the same or equivalent type as recommended should be used. Battery leakage can cause corrosion and damage to this product so please remove non-functioning batteries immediately. Remove the batteries from product during long periods of non-use.

DO NOT DISPOSE OF IN FIRE. Please dispose at your local recycling facility.

### STEP BY STEP INSTRUCTIONS

Before turning on your candles, remove the plastic from around the batteries and insert them into the the battery compartment.



### MODEL NO.

- LC005080
- LC005081

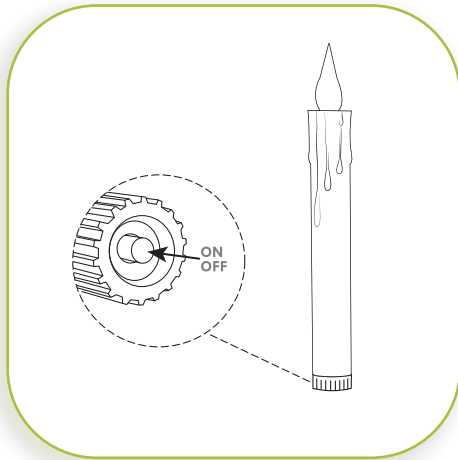
### WHAT WE PROVIDE

- 6 x Ivy White Flameless Window Candles
- 6 x Removable Bases
- 6 x Suction Cups
- 12 x AA Batteries (2 Per Candle)
- 6 Button Remote Control

### BATTERY INSTALLATION

Each candle works with 2 x AA batteries (included). The battery compartment is located at the bottom of the candle. To open the battery compartment, unscrew the base of the candle (counterclockwise). Batteries should be inserted with the correct polarity as indicated (+/-) and battery compartments secured before use.

# INSTRUCTIONS



# 2

## ON / OFF

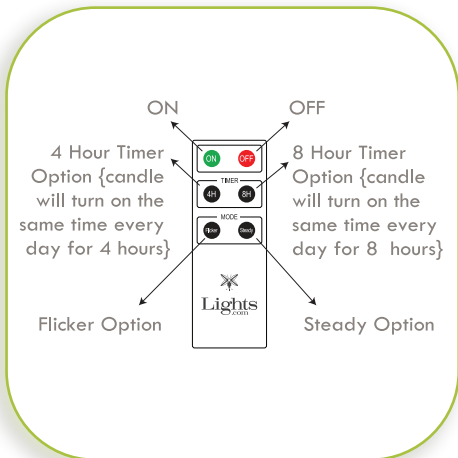
Push the button on the base of the candle to switch on or off. To maximize battery life, switch candle off during long periods of non-use.



# 3

## SUCTION CUP HOLDER (OPTIONAL)

Carefully, clip the suction cup holder onto the candle base as shown in the diagram. To ensure a firm bond, surfaces should be totally free of dirt and soap film before attaching the suction cup. Rinse the inside of the suction cup under warm water then shake off the excess water. Press the suction cup firmly in place, making sure there are no air bubbles between the cup and the mounting surface.



# 4

## REMOTE FUNCTIONS

The candle must be manually turned on in order for the remote control to function.