

# INSTALLATION INSTRUCTIONS



# Lights.com

## IMPORTANT

Before installing your Lights.com fixture, please make sure that you carefully read through these instruction sheets. Consider having your fixture installed by a qualified licensed electrician.

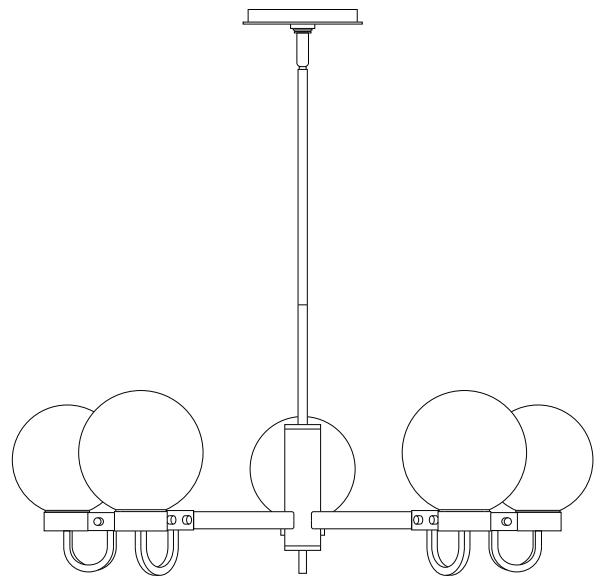
**NOTE:** The important safeguards and instructions that appear in this manual are not meant to cover all possible conditions and situations that may occur. It must be understood that common sense, caution and care, are factors that can't be built into any product. This approach must be used by the person(s) caring for and operating the fixture.

## GENERAL INFORMATION

All electrical connections must be made in accordance with all ordinances, and local and national electrical codes. These fixtures are intended for mounting to a standard 4" junction box. The box must be directly supported by the building structure and be ETL or U.L. Recognized.

## STEP BY STEP INSTRUCTIONS

Before starting your installation disconnect the power by turning off the circuit breaker or by removing the fuse at the fuse box. **Just turning the light off at the light switch is not sufficient to prevent electrical shock.**



### COLLECTION

Ryan

### APPLICATION

Chandelier

### MODEL NO.

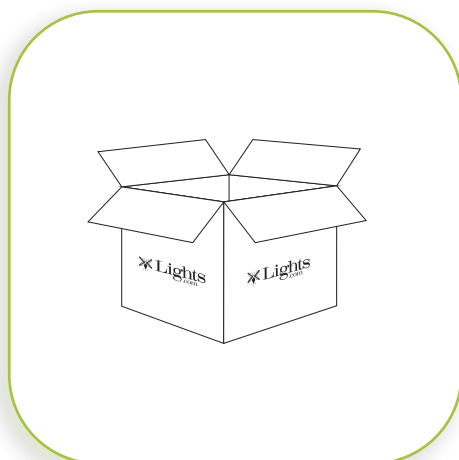
LC005083

### WHAT WE PROVIDE

- Mounting & Wiring Hardware
- Canopy Kit
- One 6" Rod
- Two 12" Rods
- One 18" Rod

### WHAT YOU NEED

- Phillips Screwdriver
- Flathead Screwdriver
- Wire Cutters
- Wiring Supplies as Specified by Electrical Code
- Electrical Tape
- 5 x 60W E12 Bulbs

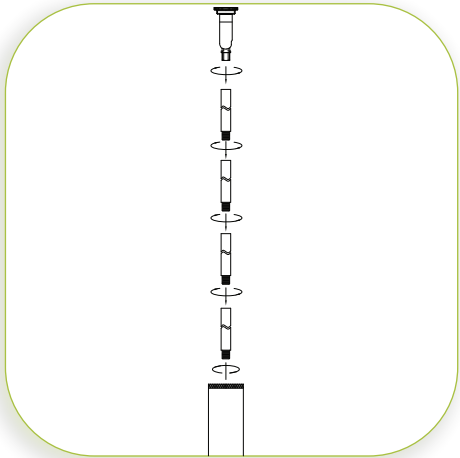


# 1

### UNPACK YOUR FIXTURE

Carefully set aside all parts and pieces.

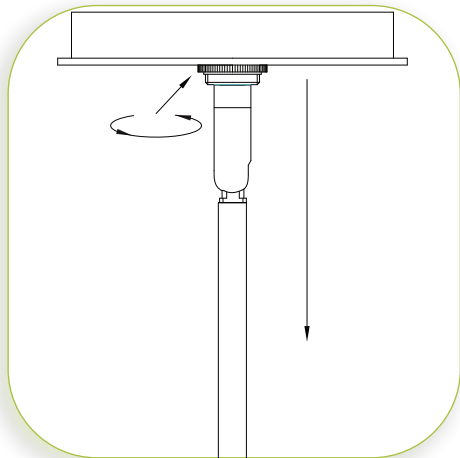
## INSTALLATION INSTRUCTIONS



# 2

### DETERMINE HEIGHT

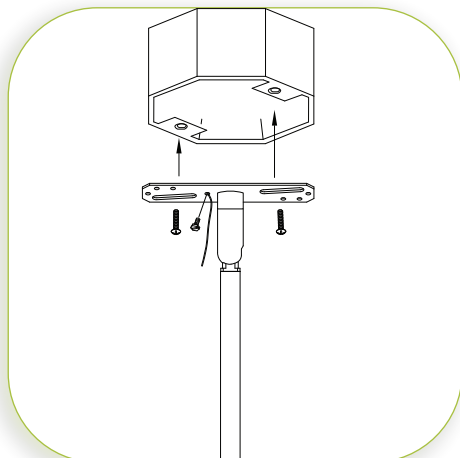
Measure fixture to desired height. Please note this must be done in 6" increments. Once determined, connect the rods, one by one to the top of the pendant. Once the rods are connected, thread the included, sloped ceiling adapter and canopy onto the top of the rods. Cut power supply wires, leaving at least 12 to 18 inches above for minor adjustments.



# 3

### PREPARE MOUNTING BAR

Turn the knurled nut at the base of the canopy counterclockwise and let it drop down over the rods along with the canopy. The mounting bracket will now be visible and ready to secure the junction box.

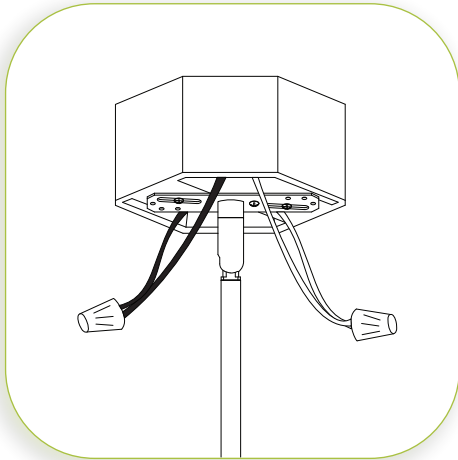


# 4

### INSTALL MOUNTING BAR

If there is an existing fixture, please remove the fixture and the mounting bar. Expose the supply wires from the J-box. Secure the mounting bar, using to Phillips head screws, provided. Hand tighten to secure.

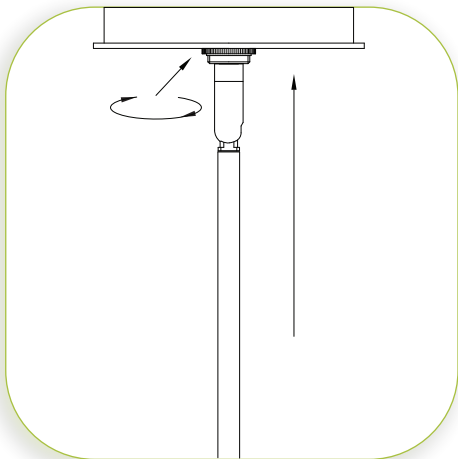
## INSTALLATION INSTRUCTIONS



5

### MAKE WIRE CONNECTIONS

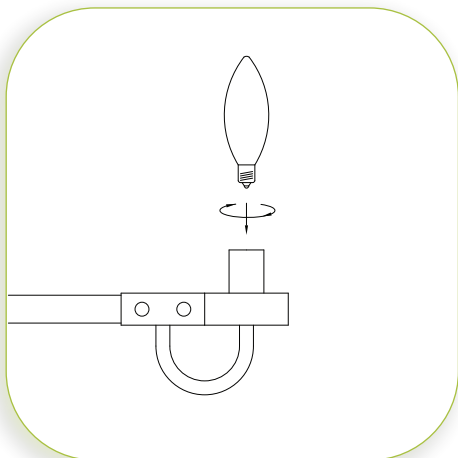
Connect BLACK fixture wire to the BLACK supply wire and the WHITE fixture wire to the WHITE supply wire. Connect the fixture ground wires to the J-box ground wire or wrap around one of the protruding screws on the mountain bar. Secure all connections with the supplied wire nuts. Secure all wire connections with electrical tape (not provided). Tuck all wires carefully into the J-box.



6

### SLIDE AND SECURE CANOPY

Slide the canopy and the knurled nut carefully up the rods. Push the canopy over the threading, making a connection to the ceiling. Thread the knurled nut clockwise to secure the canopy. Your light is now installed and power connected! Finish the steps to enjoy your beautiful new fixture.

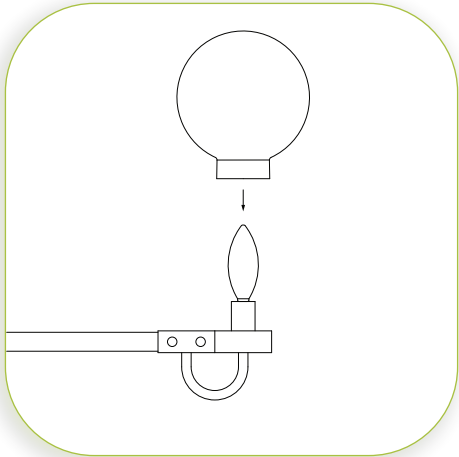


7

### INSTALL THE BULBS

**MAXIMUM WATTAGE 60 W PER SOCKET. THREAD THE 5 E12 SOCKET BULBS CLOCKWISE INTO THE SOCKETS. DO NOT EXCEED THE WATTAGE AS STATED ON THE WARNING LABEL.**

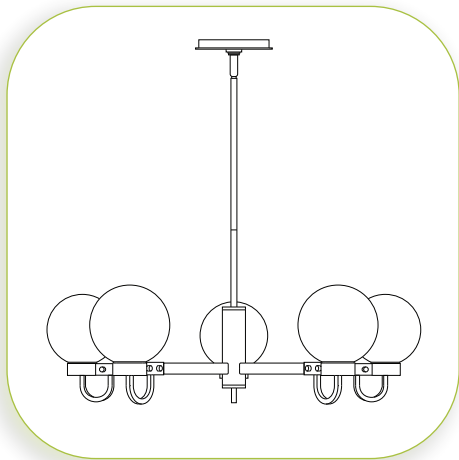
## INSTALLATION INSTRUCTIONS



8

### INSTALL THE GLASS

Place the glass shades carefully over the bulb and socket, allowing them to rest on the metal frame.



9

### RESTORE THE ELECTRICITY AND CHECK THE OPERATION OF YOUR NEW FIXTURE



### DIMMER NOTE

For the best lighting experience, we recommend using a dimmer. Not only does this allow you to create a great ambiance, it allows for energy savings and extends the life of the bulbs.