

INSTALLATION INSTRUCTIONS



IMPORTANT

Before installing your Lights.com fixture, please make sure that you carefully read through these instruction sheets. Consider having your fixture installed by a qualified licensed electrician.

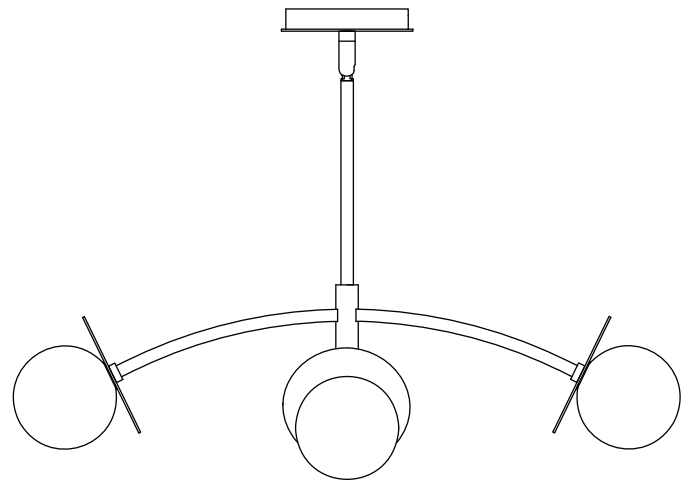
NOTE: The important safeguards and instructions that appear in this manual are not meant to cover all possible conditions and situations that may occur. It must be understood that common sense, caution and care, are factors that can't be built into any product. This approach must be used by the person(s) caring for and operating the fixture.

GENERAL INFORMATION

All electrical connections must be made in accordance with all ordinances, and local and national electrical codes. These fixtures are intended for mounting to a standard 4" junction box. The box must be directly supported by the building structure and be ETL or U.L. Recognized.

STEP BY STEP INSTRUCTIONS

Before starting your installation disconnect the power by turning off the circuit breaker or by removing the fuse at the fuse box. **Just turning the light off at the light switch is not sufficient to prevent electrical shock.**



COLLECTION

Levi

APPLICATION

4 Globe Chandelier

MODEL NO.

LC005084

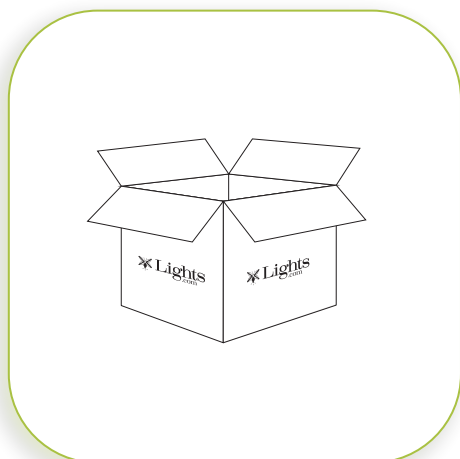
LC005414

WHAT WE PROVIDE

- Mounting & Wiring Hardware
- 4 x Glass Shades
- Canopy Kit
- Fixture
- 4 x G9 LED Bulbs
- One 6", Two 12", and One 18" Rods

WHAT YOU NEED

- Phillips Screwdriver
- Wire Cutters
- Wiring Supplies as Specified by Electrical Code

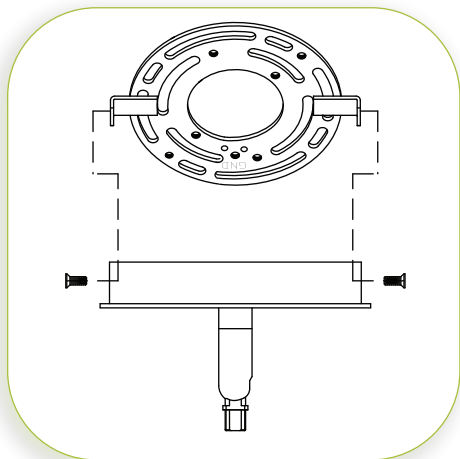


1

UNPACK YOUR FIXTURE

Carefully set aside all parts and pieces.

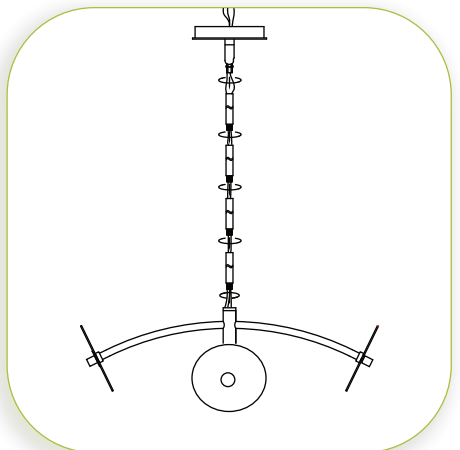
INSTALLATION INSTRUCTIONS



2

PREPARE FIXTURE AND MOUNTING PLATE

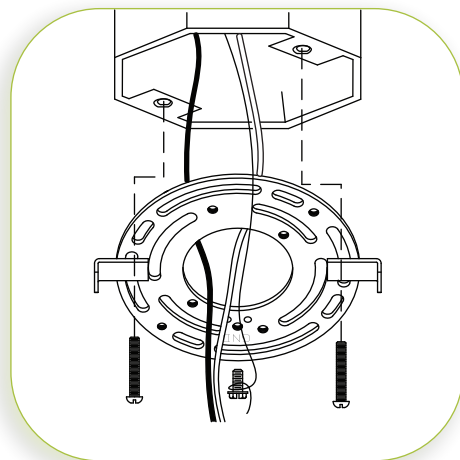
Remove the mounting plate from the canopy by unscrewing the side screws from the canopy.



3

DETERMINE HEIGHT

Measure fixture to desired height. Please note this must be done in 6" increments. Once determined, thread desired number of rods down onto the top of the fixture body, while feeding the wire up and through each rod, one at a time. Feed wires through the canopy, then thread canopy on top of the connected rods. Trim wire to leave an additional 12-18" of access wire for adjusting.

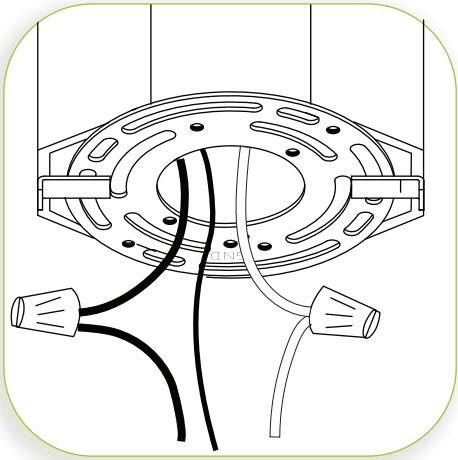


4

INSTALL MOUNTING PLATE

If there is an existing fixture, remove it. Expose the supply wires from the junction box. Insert supply wires through the mounting plate. Secure mounting plate using two Phillips head screws provided. Hand tighten to secure.

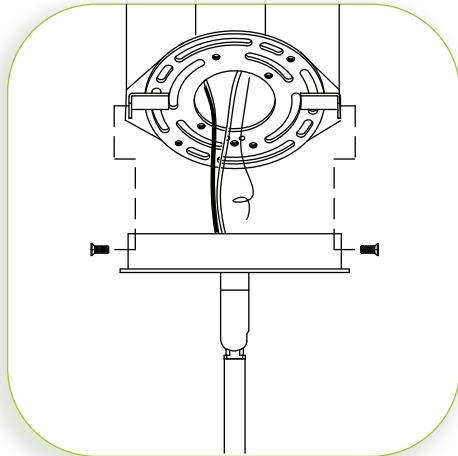
INSTALLATION INSTRUCTIONS



5

MAKE WIRE CONNECTIONS

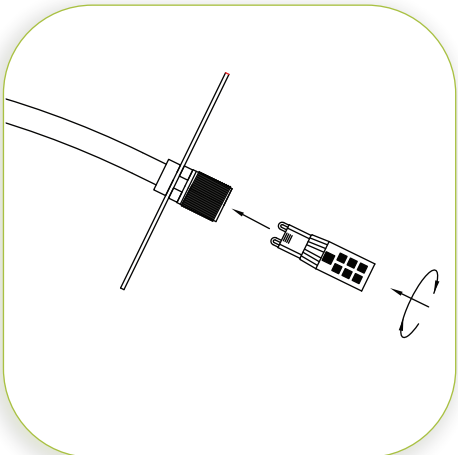
Connect BLACK fixture wire to the BLACK supply wire and WHITE fixture wire to the WHITE supply wire. Connect the fixture GROUND wire to the junction box GROUND wire. Secure all connections with the supplied wire nuts. Tuck all wires carefully into the junction box.



6

INSTALL FIXTURE TO THE MOUNTING PLATE

Carefully lift fixture up and position canopy over the mounting plate. Align the holes with the side of canopy and secure with the supplied screws.



7

INSTALL THE BULBS

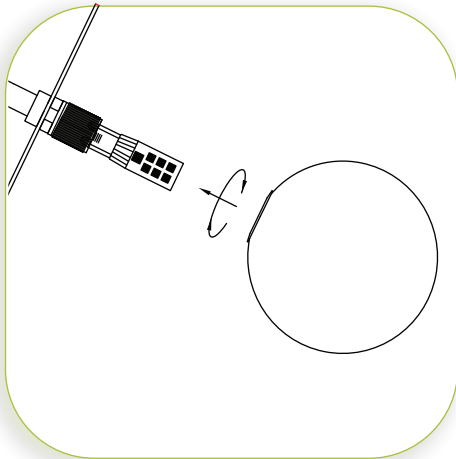
Install the bulbs.

MAXIMUM WATTAGE 40W MAX PER SOCKET.

CAUTION

Please ensure that the fitting is cool and switched off before replacing the bulb. DO NOT use bulbs that might exceed the maximum wattage, stated on caution label.

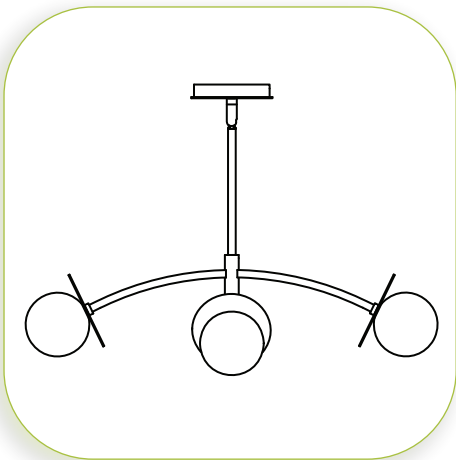
INSTALLATION INSTRUCTIONS



8

INSTALL SHADES

Thread the glass shades onto the sockets by rotating clockwise.



9

RESTORE THE ELECTRICITY AND CHECK THE OPERATION OF YOUR NEW FIXTURE

DIMMER NOTE

For the best lighting experience, we recommend using a dimmer. Not only does this allow you to create a great ambiance, it allows for energy savings and extends the life of the LEDs.