

INSTALLATION INSTRUCTIONS



IMPORTANT

Before installing your Lights.com fixture, please make sure that you carefully read through these instruction sheets. Consider having your fixture installed by a qualified licensed electrician.

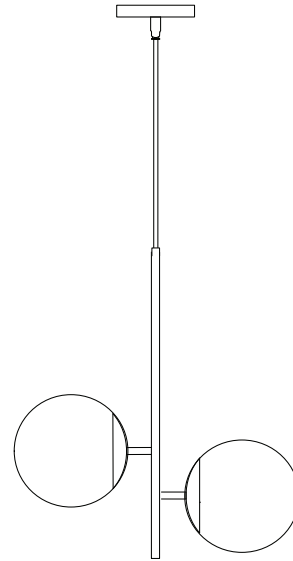
NOTE: The important safeguards and instructions that appear in this manual are not meant to cover all possible conditions and situations that may occur. It must be understood that common sense, caution and care, are factors that can't be built into any product. This approach must be used by the person(s) caring for and operating the fixture.

GENERAL INFORMATION

All electrical connections must be made in accordance with all ordinances, and local and national electrical codes. These fixtures are intended for mounting to a standard 4" junction box. The box must be directly supported by the building structure and be ETL or U.L. Recognized.

STEP BY STEP INSTRUCTIONS

Before starting your installation disconnect the power by turning off the circuit breaker or by removing the fuse at the fuse box. **Just turning the light off at the light switch is not sufficient to prevent electrical shock.**



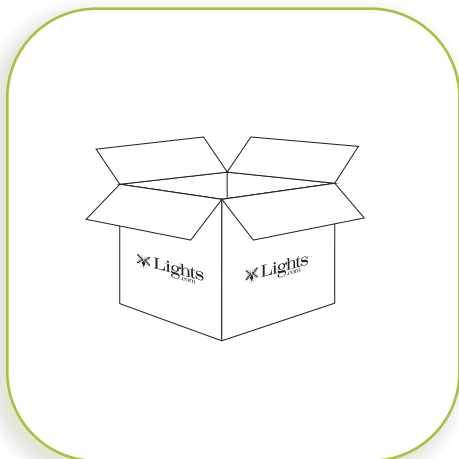
COLLECTION	APPLICATION	MODEL NO.
Castell	2-Light Globe Pendant	LC005140
		LC005141

WHAT WE PROVIDE

- Mounting & Wiring Hardware
- 2 x Glass Shades
- Canopy Kit
- Pendant Frame and Wiring
- 2 x G9 Bulbs

WHAT YOU NEED

- Phillips Screwdriver
- Wire Cutters
- Wiring Supplies as Specified by Electrical Code
- Electrical Tape
- Ladder

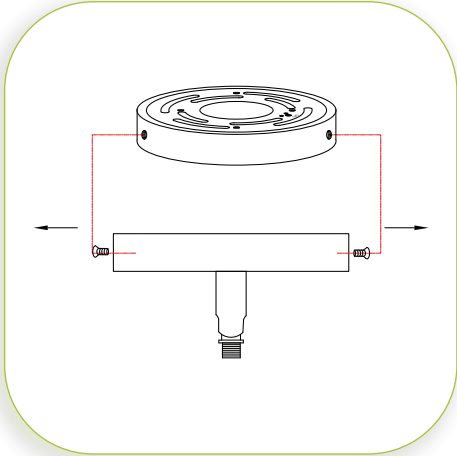


1

UNPACK YOUR FIXTURE

Carefully set aside all parts and pieces.

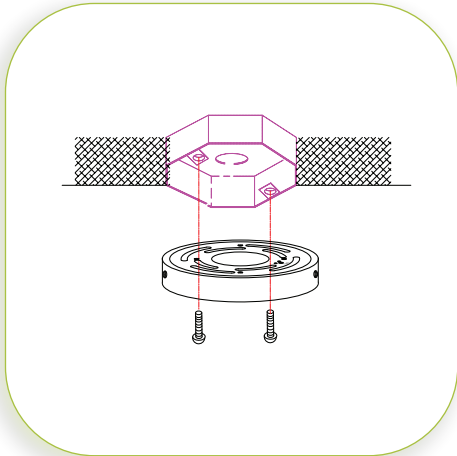
INSTALLATION INSTRUCTIONS



2

PREPARE FIXTURE AND MOUNTING PLATE

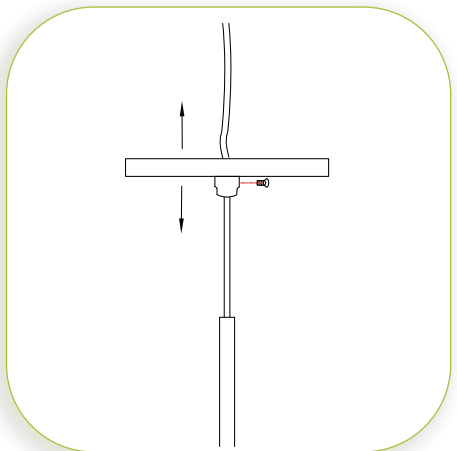
Remove the mounting plate from the canopy by unscrewing the side screws from the canopy counterclockwise.



3

INSTALL MOUNTING PLATE

If there is an existing fixture, remove it. Expose the supply wires from the J-box. Insert supply wires through the mounting plate. Secure mounting plate using two Phillips head screws provided. Hand tighten to secure.

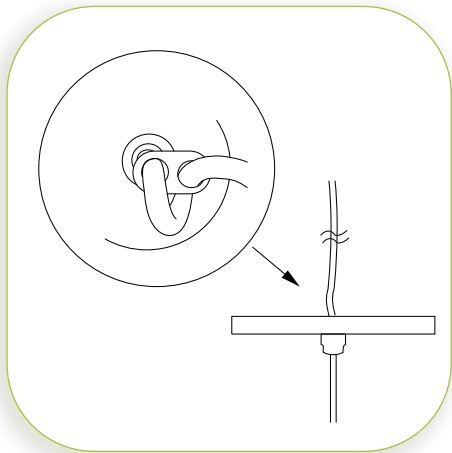


4

DETERMINE HEIGHT

Measure fixture to desired height. Once determined, loosen the set screw on the bottom side of the canopy where the wire goes through. This will allow you to slide the canopy down the cord to the desired height. Re-tighten the set screw to lock the canopy in place.

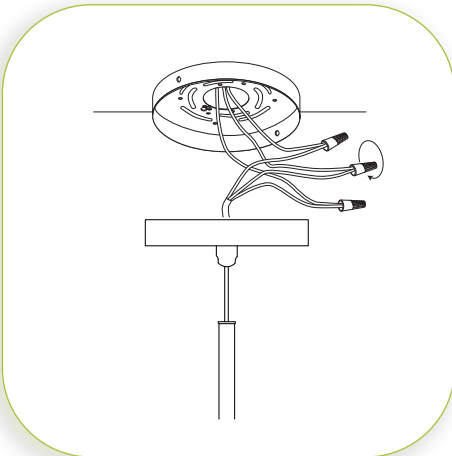
INSTALLATION INSTRUCTIONS



5

SECURE WIRE

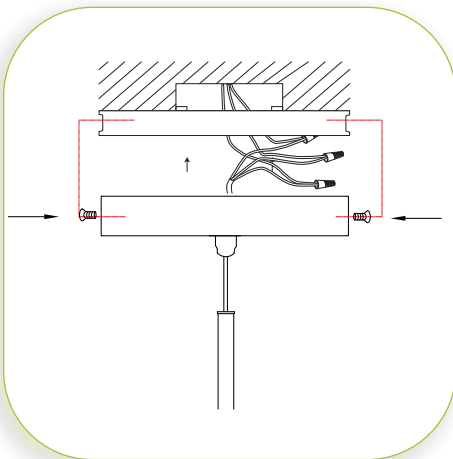
Slide the safety lock which is connected to the top of the wire all the way down to the inside of the canopy. This is a secondary safety to ensure the pendant stays at the desired height. Cut power supply leaving about 12" above, for minor adjustments.



6

MAKE WIRE CONNECTIONS

Connect BLACK fixture wire to the BLACK supply wire and WHITE fixture wire to the WHITE supply wire. Connect the fixture GROUND wire to the J-Box GROUND wire. Secure all connections with the supplied wire nuts, then secure all wire connections with electrical tape (not supplied). Tuck all wires carefully into the J-Box.

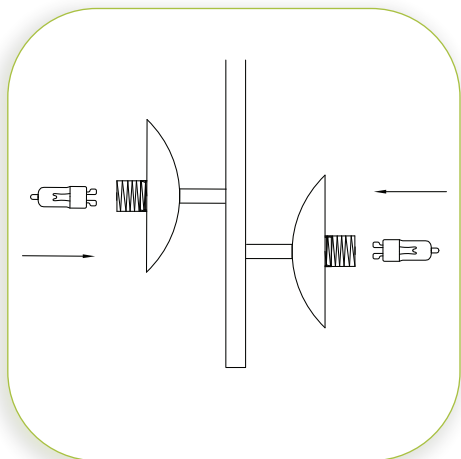


7

INSTALL FIXTURE TO THE MOUNTING PLATE

Position canopy over the mounting plate. Align the holes with the side of canopy and secure with the supplied screws. Please note: be careful to check and make sure no wires are sticking outside the canopy or getting pinched between the mounting plate and canopy.

INSTALLATION INSTRUCTIONS

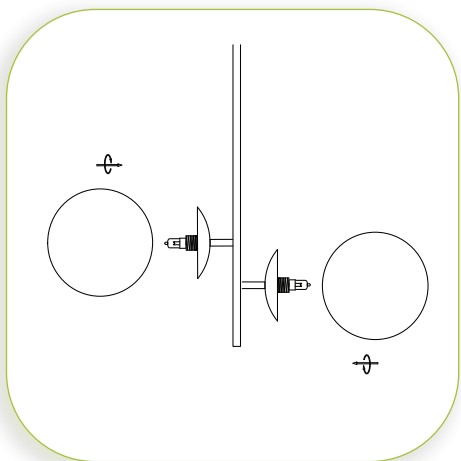


8

INSTALL THE BULBS

Remove the bulbs from their packaging. Each bulb is a type G9 LED bulb. Insert the bulb into the slot in the center of the socket and push. You will feel the bulb gently snap into place.

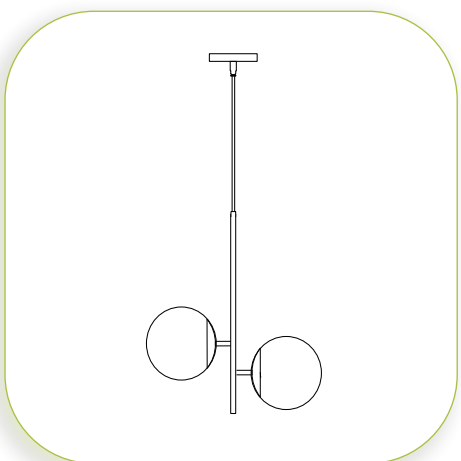
MAXIMUM WATTAGE 40W MAX PER SOCKET.
DO NOT EXCEED THE WATTAGE AS STATED ON THE WARNING LABEL.



9

INSTALL SHADES

Thread the glass shades onto the sockets turning clockwise. Be careful to not cross thread the glass when turning onto the socket. If it is difficult to turn, stop and turn counter clockwise to remove. Then start again. You should encounter very little resistance when threading on properly.



10

RESTORE THE ELECTRICITY AND CHECK THE OPERATION OF YOUR NEW FIXTURE

CAUTION

Please ensure that the fitting is cool and switched off before replacing the bulb. DO NOT use bulbs that might exceed the maximum wattage, stated on caution label.

DIMMER NOTE

Your fixture is equipped with dimmable LED bulbs. We recommend using a dimmer for the best lighting experience. Not only does this all you to create a great ambiance, it also allows for energy savings while extending the life of the LEDs.