

## INSTALLATION INSTRUCTIONS



### IMPORTANT

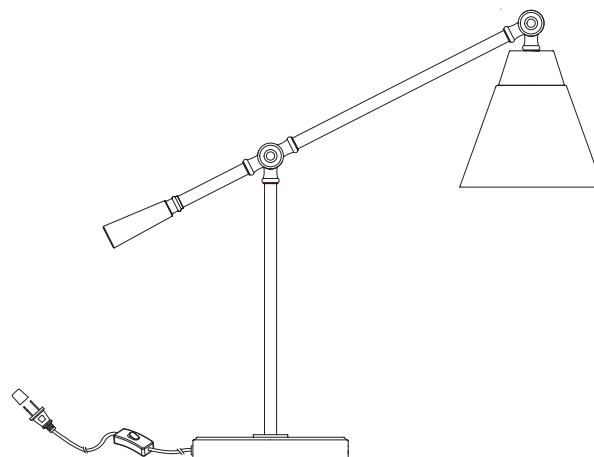
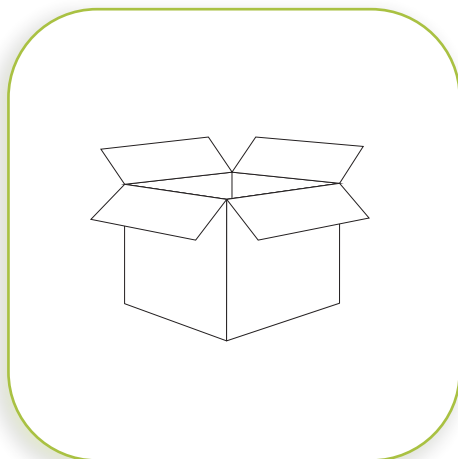
Before operating your Lights.com table lamp, please make sure that you carefully read through these instruction sheets. .

**NOTE:** The important safeguards and instructions that appear in this manual are not meant to cover all possible conditions and situations that may occur. It must be understood that common sense, caution and care, are factors that can't be built into any product. This approach must be used by the person(s) caring for and operating the fixture.

### GENERAL INFORMATION

All electrical connections must be in accordance with all ordinances, local and national electrical codes.

### STEP BY STEP INSTRUCTIONS



#### COLLECTION

Owen

#### APPLICATION

Table Lamp

#### MODEL NO.

LC005147

LC005148

LC005149

#### WHAT WE PROVIDE

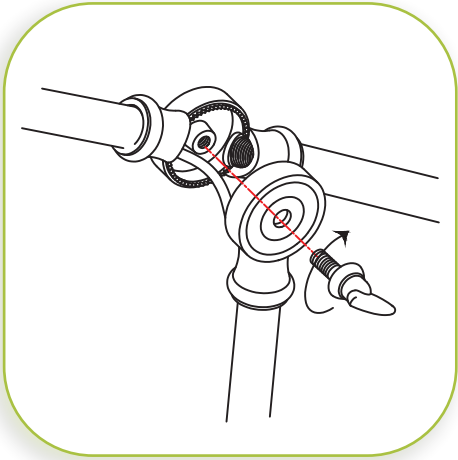
- Lamp
- Glass Shade
- Counterbalance Weight Arm
- Adjustment Key

#### WHAT YOU NEED

- 1x 60W E26 Bulb

# 1

### UNPACK YOUR FIXTURE



# 2

### CONNECT THE LAMP ARM

Using the adjustment key provided, carefully attach the lamp base to the lamp arm.

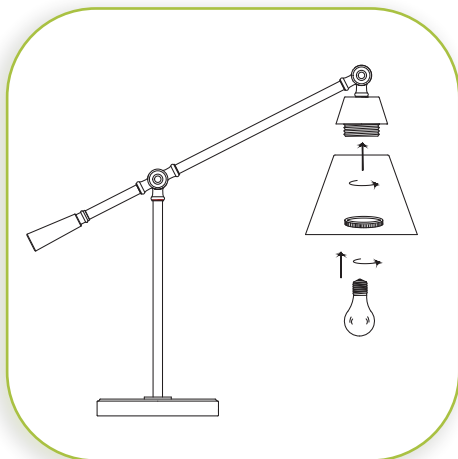
**IMPORTANT: ENSURE THAT THE INTERNAL WIRING IS FREE AND NOT PINCHED OR OBSTRUCTED BY THE CASING WHEN TIGHTENED.**



# 3

### INSTALL COUNTER BALANCE

Thread the counter balance weight into the lamp arm as shown.



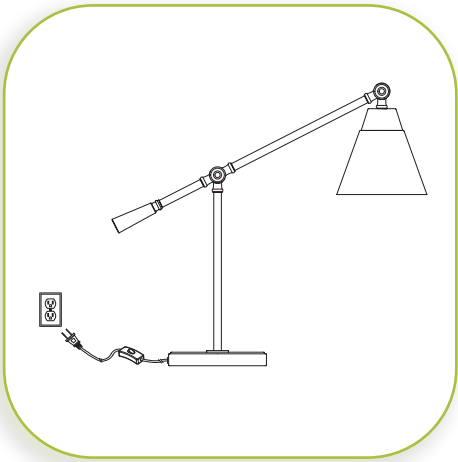
# 4

### INSTALL SHADE AND BULB

Remove the retaining ring from the fixture. Hold the glass shade up to the socket and secure with the socket ring.

Install the bulb. **MAXIMUM WATTAGE 60W.**

**DO NOT EXCEED THE WATTAGE AS STATED ON THE WARNING LABEL.**



5

**PLUG IN LAMP**

Plug in the On/Off switch into an outlet.