



WHAT WE PROVIDE

- Wall Light
- Allen Key
- Glass Shade
- JIG for Mounting Holes
- Mounting Hardware

WHAT YOU NEED

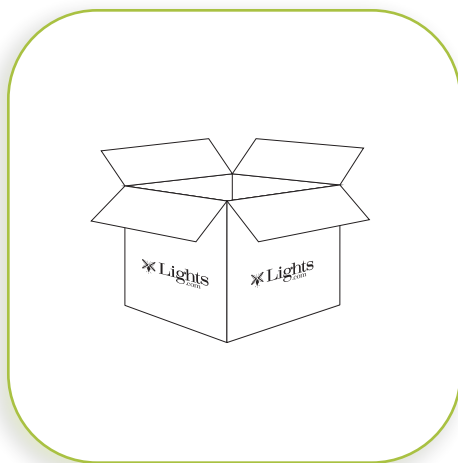
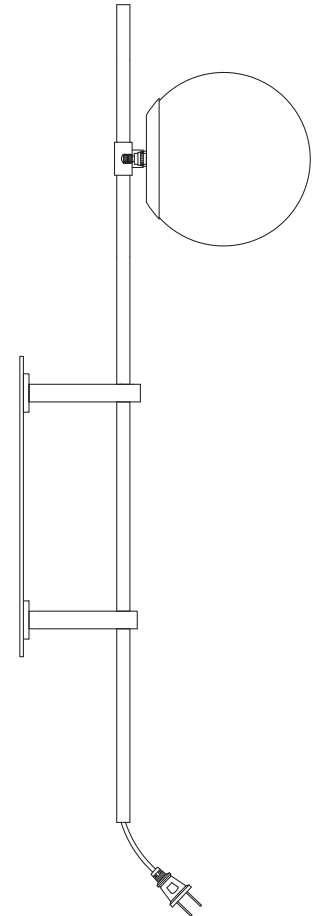
- Phillips head Screwdriver
- Electric Drill

IMPORTANT

Before installing your Lights.com wall light, please make sure that you carefully read through these instruction sheets.

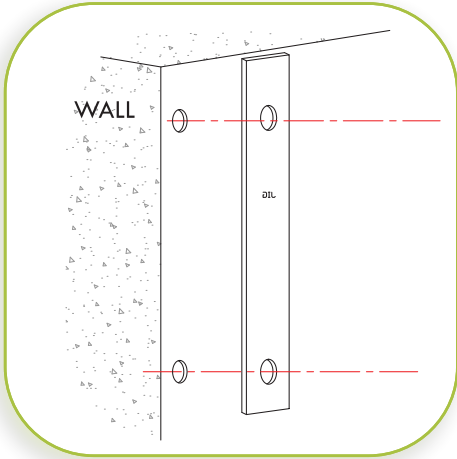
Consider having your fixture installed by a qualified licensed electrician. All electrical connections must be made in accordance with all ordinances, and Local and National Electrical Codes.

NOTE: The important safeguards and instructions that appear in this manual are not meant to cover all possible conditions and situations that may occur. It must be understood that common sense, caution and care, are factors that can't be built into any product. This approach must be used by the person(s) caring for and operating the fixture.



1

UNPACK FIXTURE

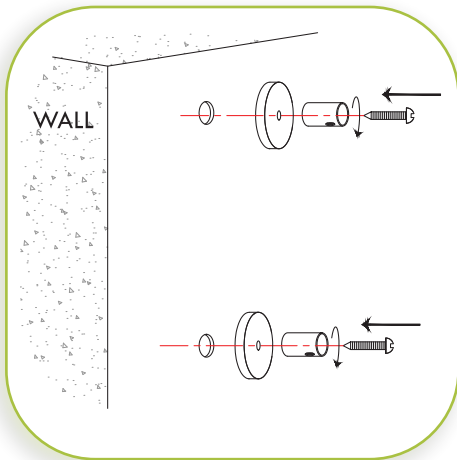


2

MOUNTING HOLES

When selecting your location for this light, keep in mind that it **MUST** be installed near an outlet.

Using the JIG template, carefully mark the two holes onto the wall where you want to mount the wall light. For best results, use a level to make sure the fixture will be installed straight. Drill a small hole at the two marked areas on the wall. If there are wood studs where the holes are, you do not need to use the anchors. Otherwise, make sure to use the anchors which are included.

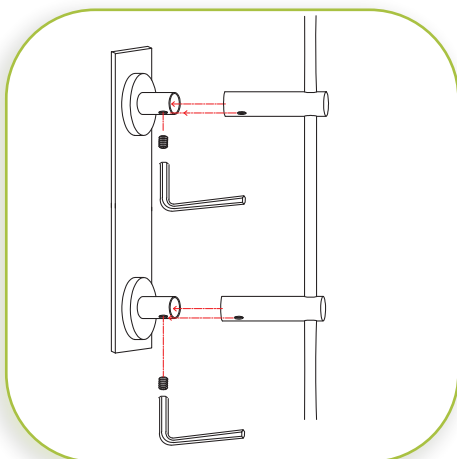


3

INSTALL THE MOUNTING CYLINDERS

3A - There is a decorative washer included that sits between the wall and cylinder. This washer is optional and only needs to be used if the hole in the wall cannot be covered by the mounting cylinders.

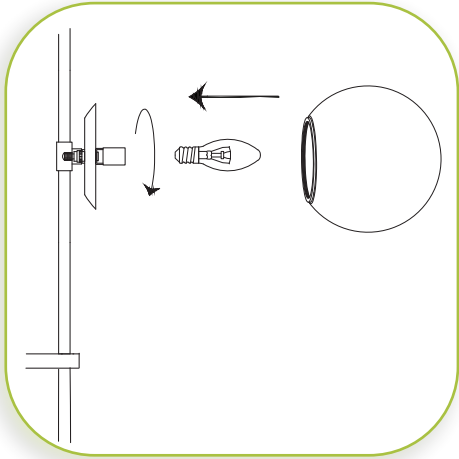
3B - With the small holes on the mounting cylinders facing down, install the mounting cylinders to the marked areas on the wall. Secure using the two Phillips head screws provided. Tighten to secure.



4

INSTALL FIXTURE TO THE MOUNTING CYLINDERS

Position mounting rods over the mounting cylinders. Align the holes on the sides of the mounting rods with the holes on the cylinders and secure with the supplied set screws and Allen key.

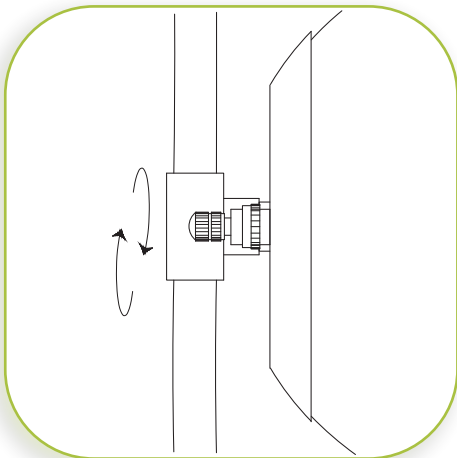


5

INSTALL BULB AND SHADE

Install the bulb. Then, thread the glass shade onto the socket turning clockwise.

MAXIMUM WATTAGE 40W. DO NOT EXCEED THE WATTAGE AS STATED ON THE WARNING LABEL.



6

PLUG IN AND CHECK THE OPERATION OF YOUR NEW FIXTURE

Plug the wall light in to the nearest outlet.

The power switch is located on the metal back, behind the glass shade. Rotate the switch in a clockwise direction to turn it on. Rotate the switch again, in a clockwise direction, to turn it off.