

INSTALLATION INSTRUCTIONS



IMPORTANT

Before installing your Lights.com fixture, please make sure that you carefully read through these instruction sheets. Consider having your fixture installed by a qualified licensed electrician.

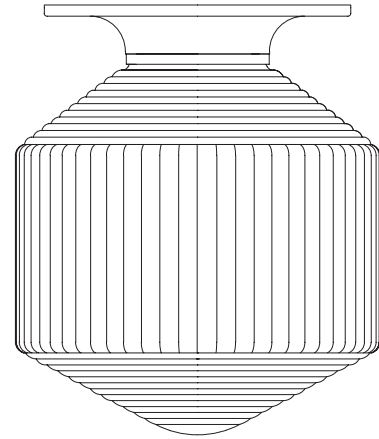
NOTE: The important safeguards and instructions that appear in this manual are not meant to cover all possible conditions and situations that may occur. It must be understood that common sense, caution and care, are factors that can't be built into any product. This approach must be used by the person(s) caring for and operating the fixture.

GENERAL INFORMATION

All electrical connections must be made in accordance with all ordinances, and Local and National Electrical Codes. This fixture is intended for mounting to a standard 4" junction box. The box must be directly supported by the building structure and be ETL or U.L. Recognized.

STEP BY STEP INSTRUCTIONS

Before starting your installation, disconnect the power by turning off the circuit breaker or by removing the fuse at the fuse box. **Just turning the light off at the light switch is not sufficient to prevent electrical shock.**



COLLECTION

Jules

APPLICATION

Flush Mount

MODEL NO.

LC005257

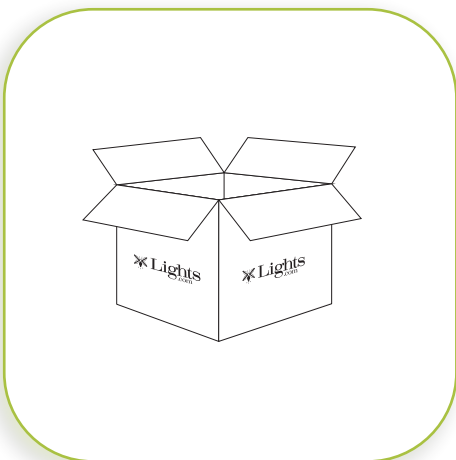
LC005258

WHAT WE PROVIDE

- Jules Flush Mount
- Glass Shade
- Wire Nuts and Mounting Hardware

WHAT YOU NEED

- Phillips Head Screwdriver
- Wire Cutters
- Wiring Supplies as Specified by Electrical Code
- 1 x 60W E26 Bulb

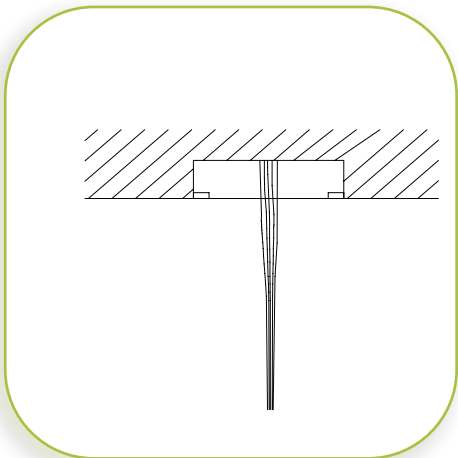


1

UNPACK YOUR FIXTURE

Carefully set aside all parts and pieces.

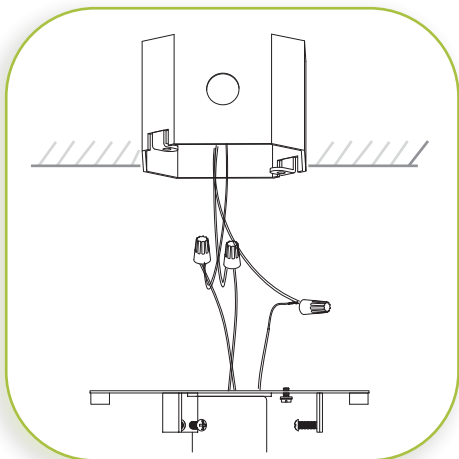
INSTALLATION INSTRUCTIONS



2

PREPARE FIXTURE

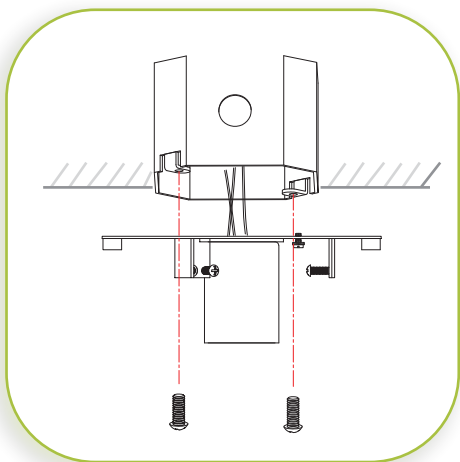
If there is an existing fixture, remove it. Expose the supply wires from the junction box.



3

MAKE WIRE CONNECTIONS

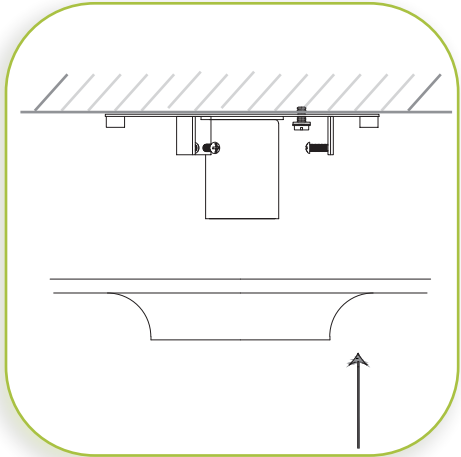
Connect the BLACK supply wire to the BLACK fixture wire and WHITE supply wire to the WHITE fixture wire and GROUND supply wire to the GROUND fixture wire. Secure with the supplied wire nuts. Tuck all wires carefully inside the junction box.



4

INSTALL SOCKET AND MOUNTING PLATE

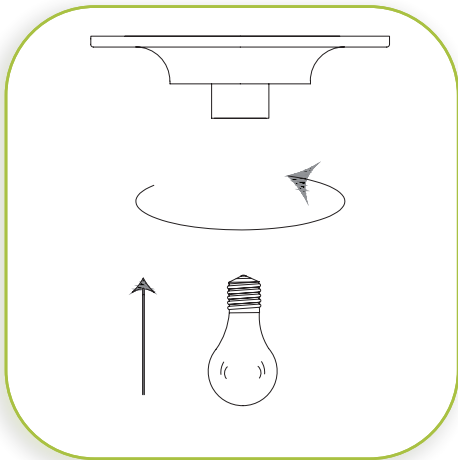
Secure the mounting plate using the two Phillips Head screws provided.



5

POSITION THE CANOPY OVER THE MOUNTING PLATE

Position canopy over the mounting plate. The canopy is secured using magnets that are on the mounting plate. Once placed over the mounting plate, the magnets will grab and secure the canopy.

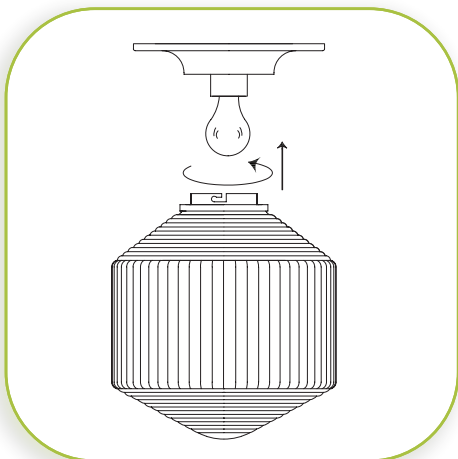
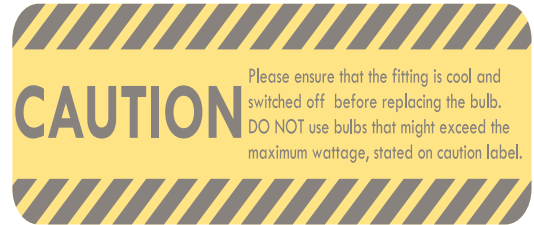


6

INSTALL BULB

Insert the bulb.

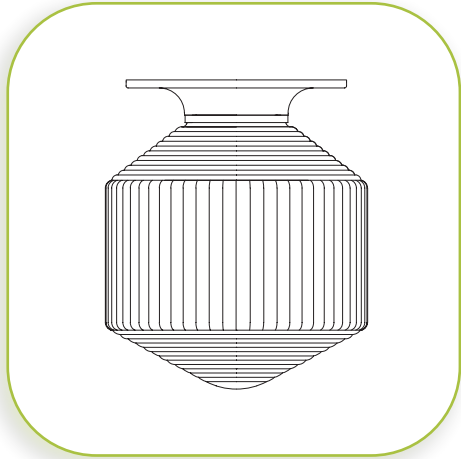
MAXIMUM WATTAGE 60W PER SOCKET.



7

ATTACH THE GLASS SHADE

Line up the collar on the glass shade with the 3 protruding pins outside the socket. Push up and turn clockwise to secure.



8

**RESTORE THE ELECTRICITY AND
CHECK THE OPERATION OF YOUR
NEW FIXTURE**

DIMMER NOTE

Note: For the best lighting experience, we recommend using a dimmer. Not only does this allow you to create a great ambiance, it allows for energy savings and extends the life of the bulbs.