



IMPORTANT

Before using your Infinity Wick Candles, please make sure that you carefully read through these instruction sheets.

NOTE: The important safeguards and instructions that appear in this manual are not meant to cover all possible conditions and situations that may occur. It must be understood that common sense, caution and care are factors that can't be built into any product. This approach must be used by the person(s) caring for and operating the candles.

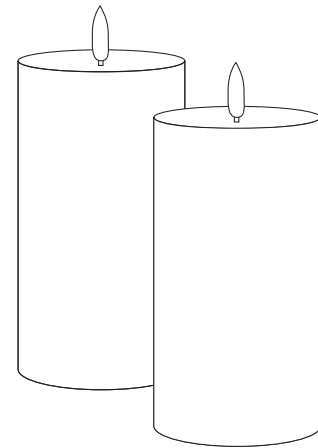
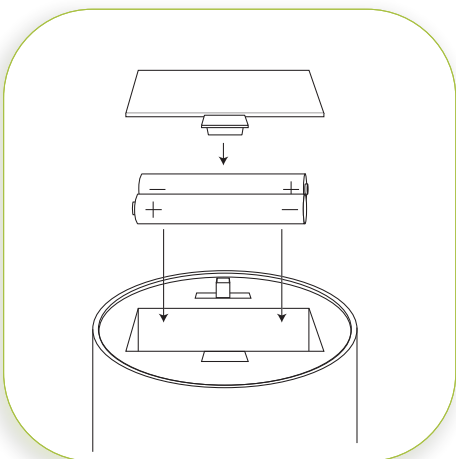
GENERAL INFORMATION

Battery installation should only be performed by an adult. Keep all batteries away from children. Only batteries of the same or equivalent type as recommended should be used. Battery leakage can cause corrosion and damage to this product so please remove non-functioning batteries immediately. Remove the batteries from product during long periods of non-use. DO NOT attempt to replace or repair any damaged parts of the candle.

DO NOT DISPOSE OF IN FIRE. Please dispose at your local recycling facility.

STEP BY STEP INSTRUCTIONS

Before turning on your candles, **locate the batteries packed in the box**. Then remove the plastic from around the batteries and insert them into the battery compartment.

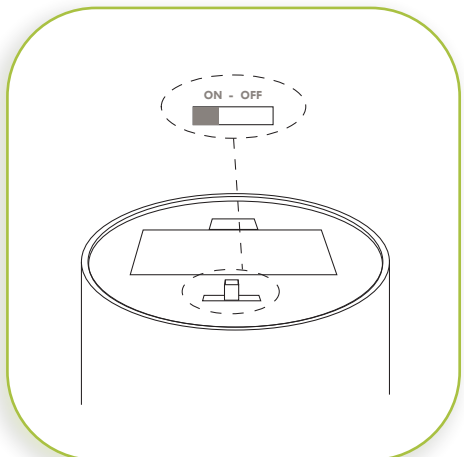


WHAT WE PROVIDE

- 2 x Infinity Wick Collection 4" x 10" Ivory Candles
- 4 x AA Batteries (2 Per Candle)
- 6-Button Remote Control (1 x CR2025 Battery Inside)

BATTERY INSTALLATION

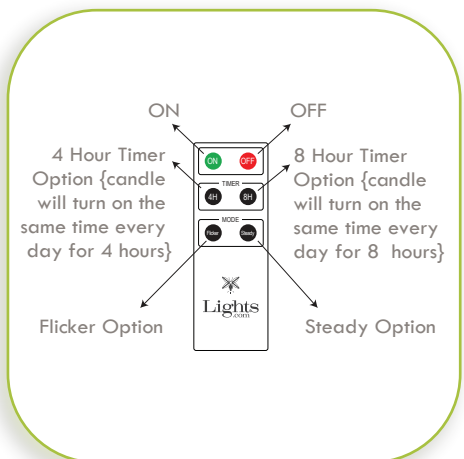
The candles each work with 2 x AA batteries. The battery compartment is located on the bottom of the candle. To install new batteries, remove the panel on the bottom. Batteries should be inserted with the correct polarity as indicated (+/-) and secure battery compartment before use.



2

ON/OFF SWITCH

The ON/OFF switch is located on the bottom of the candle, next to the battery compartment. Utilize this switch to operate the candle.



3

REMOTE FUNCTIONS



The candle must be manually turned on in order for the remote control to function. Pull out the clear tab at the base of the remote control to activate the cell battery inside.



4

CHANGING THE REMOTE BATTERY

This remote works with a CR2025 battery. To change the battery squeeze in the tab at the bottom of the remote, and pull out the battery slot completely. Battery should be inserted with the correct polarity as indicated (+/-) and battery compartment secured before use.

 WARNING	
<ul style="list-style-type: none">• INGESTION HAZARD: This product contains a CR2025, 3 Volt Cell Battery.• DEATH or serious injury can occur if ingested.• A swallowed button cell or coin battery can cause Internal Chemical Burns in as little as 2 Hours.• Keep new and used batteries OUT OF REACH OF CHILDREN.• Seek immediate medical attention if a battery is suspected to be swallowed or inserted inside any part of the body.	

IMPORTANT BATTERY SAFETY INFORMATION

Remove and immediately recycle or dispose of used batteries according to local regulations and keep away from children. Even used batteries may cause severe injury or death. Do NOT dispose of batteries in the household trash or incinerate. Call a local poison control center for treatment information. This product is compatible with a CR2025 battery type with a nominal battery voltage of 3.

Non-rechargeable batteries are not to be recharged. Do not force discharge, recharge, disassemble, heat above 60 C/140 F, or incinerate. Doing so may result in injury due to venting, leakage, or explosion resulting in chemical burns. Ensure the batteries are installed correctly according to polarity (+ and -). Do not mix old and new batteries, different brands of types of batteries, such as alkaline, carbon-zinc, or rechargeable

batteries. Remove and immediately recycle or dispose of batteries from equipment not used for an extended period of time according to local regulations.

Always completely secure the battery compartment. If the battery compartment does not close securely, stop using the product, remove the batteries, and keep them away from children.