

# INSTALLATION INSTRUCTIONS



## IMPORTANT

Before installing your Lights.com fixture, please make sure that you carefully read through these instruction sheets. Consider having your fixture installed by a qualified licensed electrician.

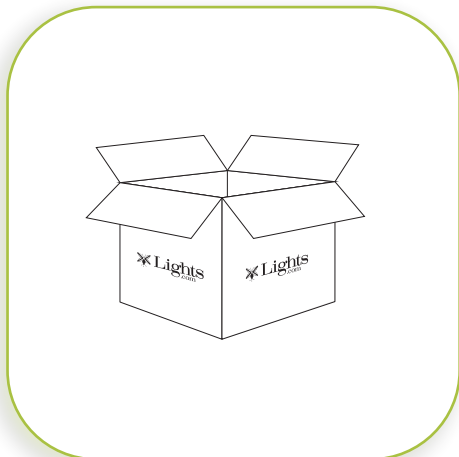
**NOTE:** The important safeguards and instructions that appear in this manual are not meant to cover all possible conditions and situations that may occur. It must be understood that common sense, caution and care, are factors that can't be built into any product. This approach must be used by the person(s) caring for and operating the fixture.

## GENERAL INFORMATION

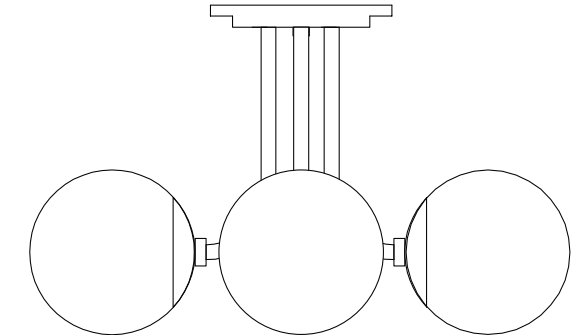
All electrical connections must be made in accordance with all ordinances, local and national electrical codes. These fixtures are intended for mounting to a standard 4" junction box. The box must be directly supported by the building structure and be ETL or U.L. recognized.

## STEP BY STEP INSTRUCTIONS

Before starting your installation disconnect the power by turning off the circuit breaker or by removing the fuse at the fuse box. **Just turning the light off at the light switch is not sufficient to prevent electrical shock.**



# 1



COLLECTION	APPLICATION	MODEL NO.
Castell	3-Light Semi-Flush	LC005274
		LC005275

## WHAT WE PROVIDE

- Mounting & Wiring Hardware
- 3 x Glass Shades
- 3 x Frosted G9 LED Bulbs

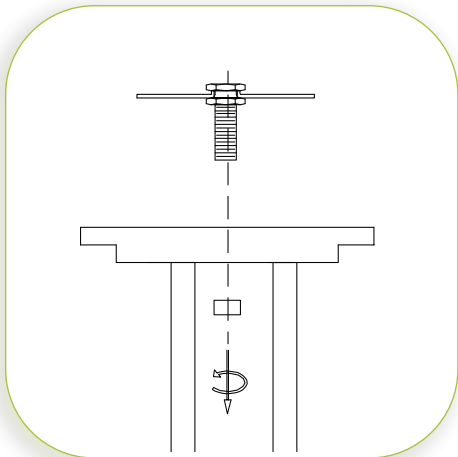
## WHAT YOU NEED

- Phillips Screwdriver
- Wire Cutters
- Wiring Supplies as Specified by Electrical Code
- Electrical Tape

## UNPACK YOUR FIXTURE

Carefully set aside all parts and pieces.

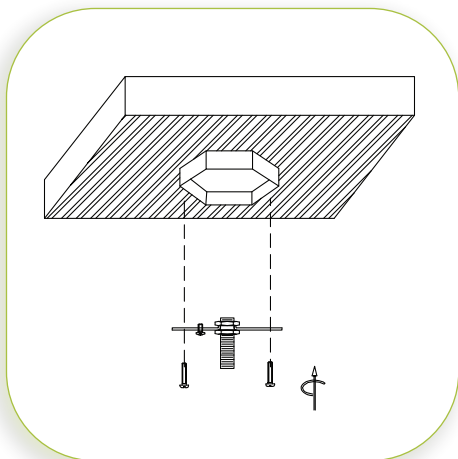
## INSTALLATION INSTRUCTIONS



# 2

### PREPARE FIXTURE AND MOUNTING BAR

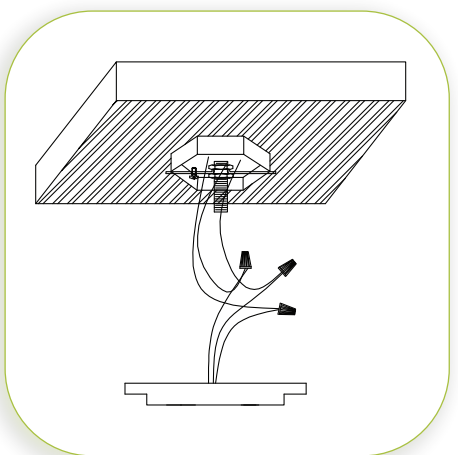
Remove the mounting bar from the canopy by unscrewing the decorative nut from the canopy.



# 3

### INSTALL MOUNTING BAR

If there is an existing fixture, remove it. Expose the supply wires from the J-box. Insert supply wires through the mounting bar. Secure mounting bar using two Phillips head screws provided. Hand tighten to secure.

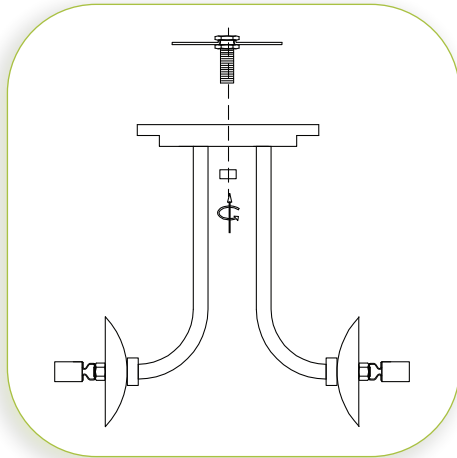


# 4

### MAKE WIRE CONNECTIONS

Connect BLACK fixture wire to the BLACK supply wire and WHITE fixture wire to the WHITE supply wire. Connect the fixture GROUND wire to the J-Box GROUND wire. Secure all connections with the supplied wire nuts, secure all wire connections with electrical tape (not supplied). Tuck all wires carefully into the J-Box.

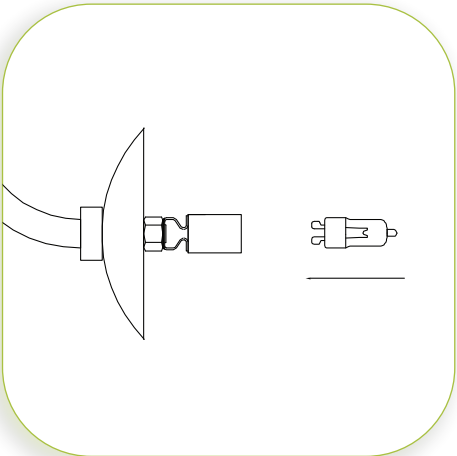
## INSTALLATION INSTRUCTIONS



# 5

### INSTALL FIXTURE TO THE MOUNTING BAR

Align the canopy to the screw protruding from the ceiling. Next, secure the canopy flush against the ceiling using the decorative nut supplied. Hand tighten to secure.



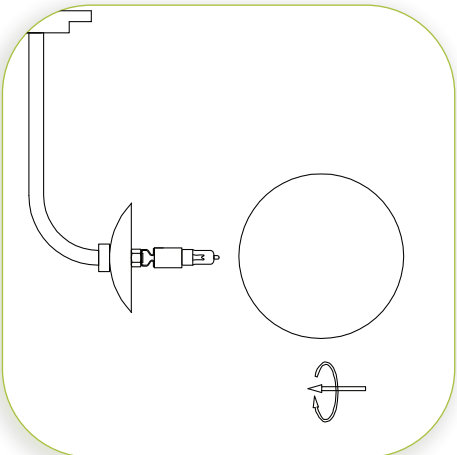
# 6

### INSTALL THE BULBS

Install the bulbs.

**MAXIMUM WATTAGE 40W LED PER SOCKET.**

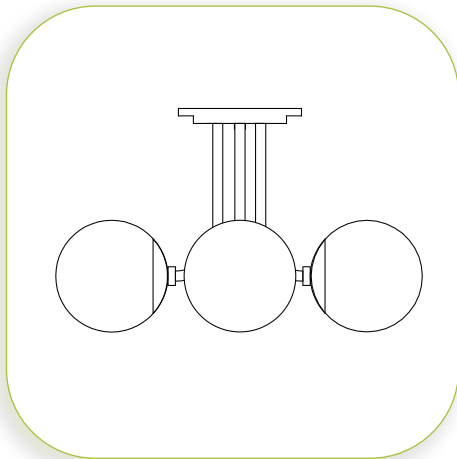
**DO NOT EXCEED THE WATTAGE AS STATED ON THE WARNING LABEL.**



# 7

### INSTALL SHADES

Thread the glass shades onto the sockets clockwise.



# 8

### RESTORE THE ELECTRICITY AND CHECK THE OPERATION OF YOUR NEW FIXTURE



### DIMMER NOTE

For the best lighting experience, we recommend using a dimmer. Not only does this allow you to create a great ambiance, it allows for energy savings and extends the life of the LEDs.