

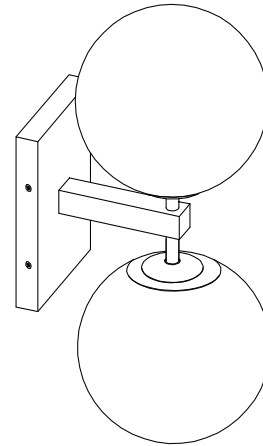
# INSTALLATION INSTRUCTIONS



## IMPORTANT

Before installing your Lights.com fixture, please make sure that you carefully read through these instruction sheets. Consider having your fixture installed by a qualified licensed electrician.

**NOTE:** The important safeguards and instructions that appear in this manual are not meant to cover all possible conditions and situations that may occur. It must be understood that common sense, caution and care, are factors that can't be built into any product. This approach must be used by the person(s) caring for and operating the fixture.



## COLLECTION

Ezra

## APPLICATION

2-Light Wall Sconce

## MODEL NO.

LC005295

## GENERAL INFORMATION

All electrical connections must be made in accordance with all ordinances, and Local and National Electrical Codes. These fixtures are intended for mounting to a standard 4" junction box. The box must be directly supported by the building structure and be ETL or U.L. recognized.

## STEP BY STEP INSTRUCTIONS

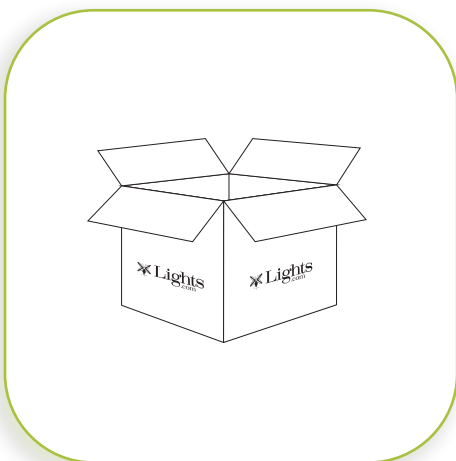
Before starting your installation, disconnect the power by turning off the circuit breaker or by removing the fuse at the fuse box. Just turning the light off at the light switch is not sufficient to prevent electrical shock.

## WHAT WE PROVIDE

- Wall Light
- Glass Shades
- Mounting & Wiring Hardware

## WHAT YOU NEED

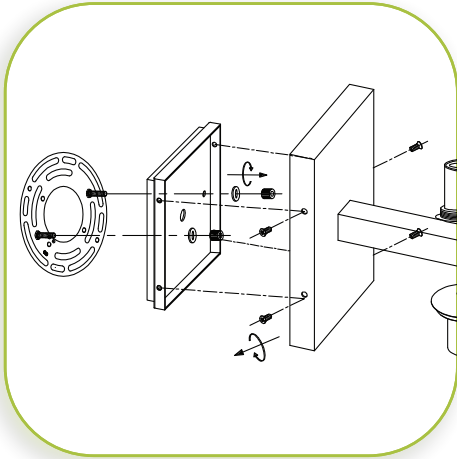
- Electric Drill
- Ladder
- Wiring Supplies as Specified by Electrical Code
- Hammer
- Pliers
- Electrical Tape
- 2 x E26 Bulbs 60W Max



# 1

## UNPACK FIXTURE

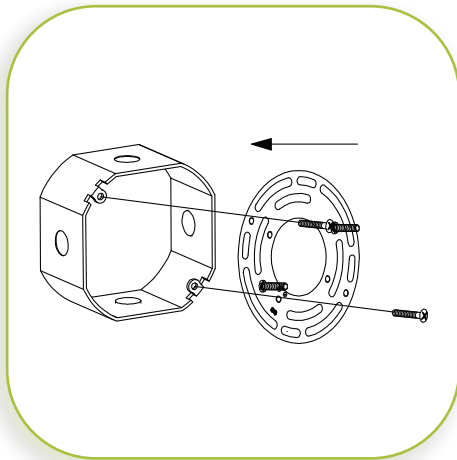
## INSTALLATION INSTRUCTIONS



# 2

### PREPARE FIXTURE AND MOUNTING PLATE

Remove the mounting plate from the backplate by unscrewing the cap nuts, washers, and screws.

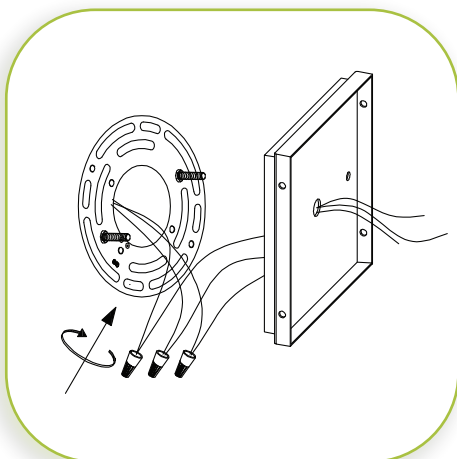


# 3

### INSTALL THE MOUNTING PLATE

**Note:** Make sure fixture mounting screws are facing outward. This fixture can only be mounted vertically.

If there is an existing fixture, remove it. Expose the supply wires from the J-Box. Insert supply wires through the mounting plate. Secure the mounting plate using the Phillips head screws provided. Tighten to secure.



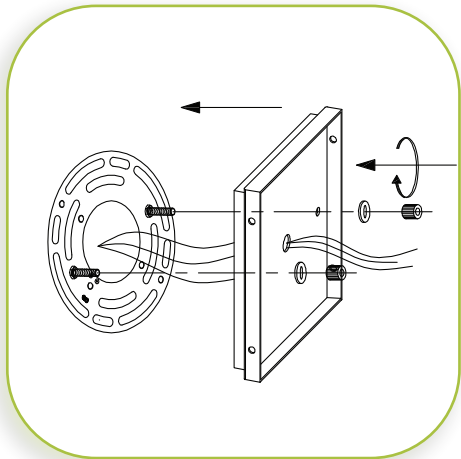
# 4

### MAKE WIRE CONNECTIONS

**Note:** Make sure the small rubber gasket is in place on the backplate prior to making wire connections.

Connect the BLACK fixture wire to the BLACK supply wire and the WHITE fixture wire to the WHITE supply wire. Connect the fixture ground wire to the J-BOX ground wire or wrap around one of the protruding screws on the mounting plate. Secure all connections with the supplied wire nuts and electrical tape (not supplied).

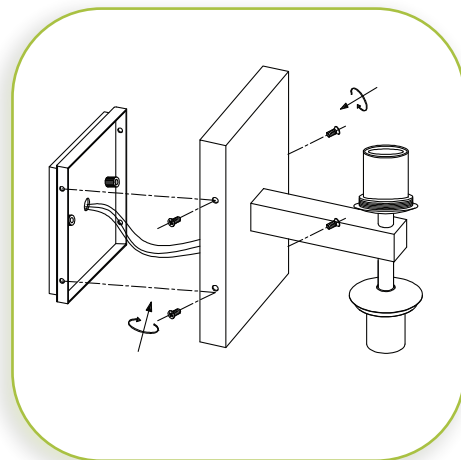
## INSTALLATION INSTRUCTIONS



# 5

### CONNECT BACKPLATE TO THE MOUNTING PLATE

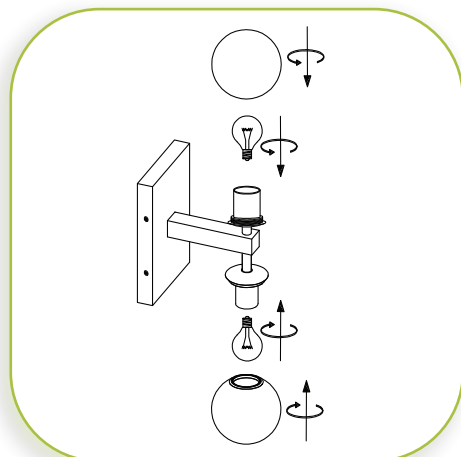
Position the gasket over the mounting plate. Align the holes on the mounting plate with the two holes on the backplate and secure with the cap nuts and washers supplied.



# 6

### CONNECT FIXTURE TO THE GASKET

Position the fixture over the backplate. Align the holes on the fixture with the holes on the backplate and secure with the screws supplied.



# 7

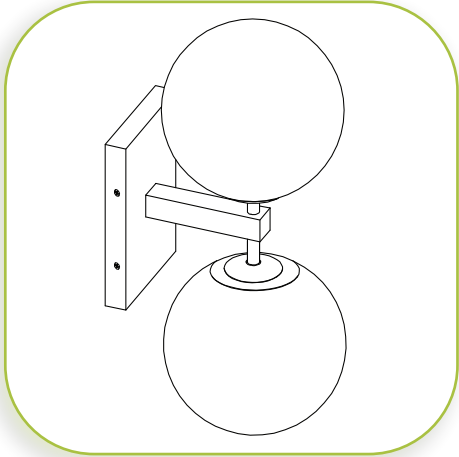
### INSTALL BULBS AND SHADES

Install your E26 bulbs (60W Max). Make sure rubber gasket is in place prior to installing the glass shades. Install the glass shades onto the sockets by turning the glass counter-clockwise until secure.

**DO NOT EXCEED THE WATTAGE AS STATED ON THE WARNING LABEL.**

## INSTALLATION INSTRUCTIONS

---



7

**RESTORE THE ELECTRICITY AND CHECK  
THE OPERATION OF YOUR NEW FIXTURE**

