

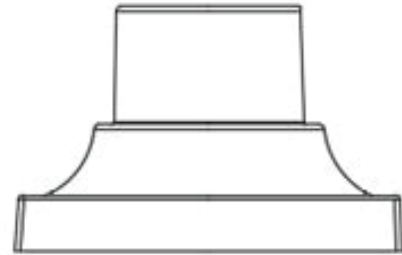
# INSTALLATION INSTRUCTIONS



## IMPORTANT

Before installing your Lights.com Pier Mount, please make sure that you carefully read through these instruction sheets. Consider having your fixture installed by a qualified licensed electrician or handyman.

**NOTE:** The important safeguards and instructions that appear in this manual are not meant to cover all possible conditions and situations that may occur. It must be understood that common sense, caution and care, are factors that can't be built into any product. This approach must be used by the person(s) caring for and operating the fixture.



## APPLICATION

Pier Mount

## MODEL NO.

LC005307

## GENERAL INFORMATION

All electrical connections must be made in accordance with all ordinances, and Local and National Electrical Codes.

## STEP BY STEP INSTRUCTIONS

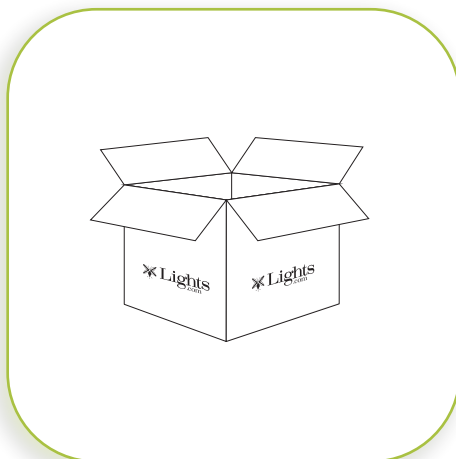
Before starting your installation, disconnect the power by turning off the circuit breaker or by removing the fuse at the fuse box. Just turning the light off at the light switch is not sufficient to prevent electrical shock.

## WHAT WE PROVIDE

- 1 x Pier Mount

## WHAT YOU NEED

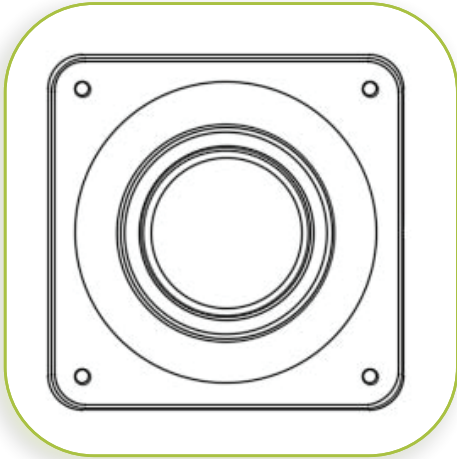
- Marker
- Mounting Hardware (Not Included)
- Drill
- Silicone



# 1

## UNPACK PIER MOUNT

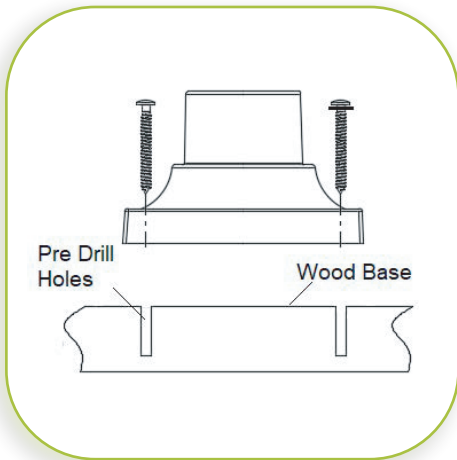
## INSTALLATION INSTRUCTIONS



# 2

### MARK DRILLING HOLES

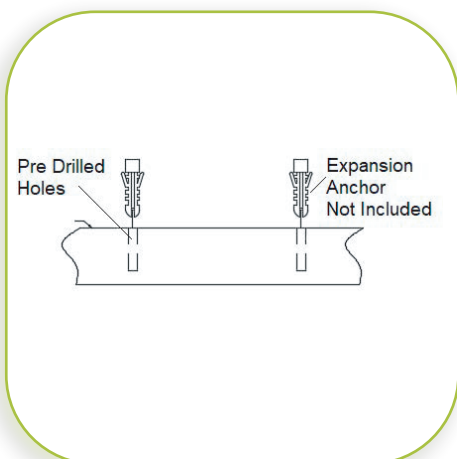
Using the pier mount as a template, place the pier mount flat where you are installing it, and mark your holes for drilling.



# 3A

### WOOD INSTALLATION

If installing with wood, we recommend using 14" Lag Bolts. These can be purchased at your local hardware store or home center. Drill a 3/16" pilot hole into the wood at each marking to prevent cracking.



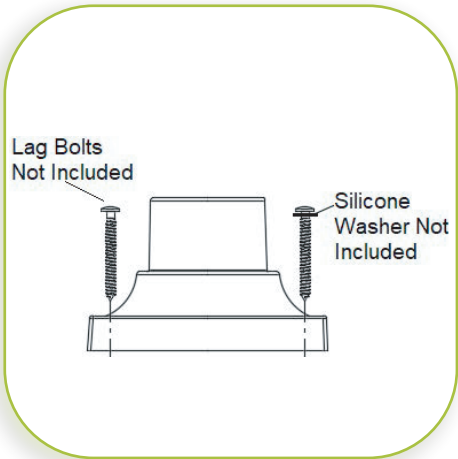
# 3B

### CONCRETE OR MASONRY INSTALLATION

If installing in concrete or masonry, we recommend using lead inserts or expansion nuts designed for masonry. These can be purchased at your local hardware store or home center. Follow manufacturers instructions for pilot holes.

## INSTALLATION INSTRUCTIONS

---



4

### INSTALL PIER MOUNT

Place the pier mount over the holes. Put silicone washers over the bolts and tighten to secure.



5

### COMPLETE INSTALLATION

Once the pier mount is securely attached to the surface, run a bead of silicone around the edge.