

## INSTALLATION INSTRUCTIONS



### IMPORTANT

Before installing your Lights.com fixture, please make sure that you carefully read through these instruction sheets. Consider having your fixture installed by a qualified licensed electrician.

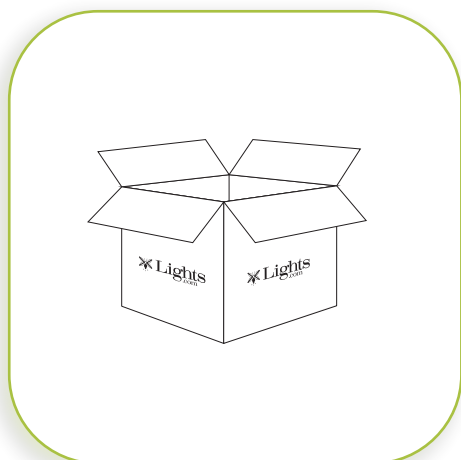
**NOTE:** The important safeguards and instructions that appear in this manual are not meant to cover all possible conditions and situations that may occur. It must be understood that common sense, caution and care, are factors that can't be built into any product. This approach must be used by the person(s) caring for and operating the fixture.

### GENERAL INFORMATION

All electrical connections must be made in accordance with all ordinances, and local and national electrical codes. These fixtures are intended for mounting to a standard 4" junction box. The box must be directly supported by the building structure and be ETL or U.L. Recognized.

### STEP BY STEP INSTRUCTIONS

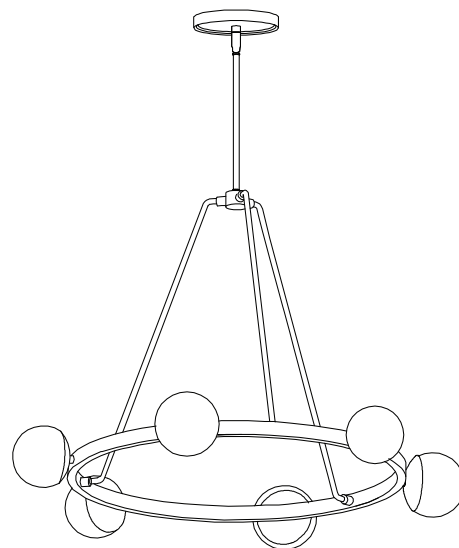
Before starting your installation disconnect the power by turning off the circuit breaker or by removing the fuse at the fuse box. **Just turning the light off at the light switch is not sufficient to prevent electrical shock.**



# 1

### UNPACK YOUR FIXTURE

Carefully set aside all parts and pieces.



COLLECTION	APPLICATION	MODEL NO.
Castell	6-Light Round Chandelier	LC005334
		LC005335

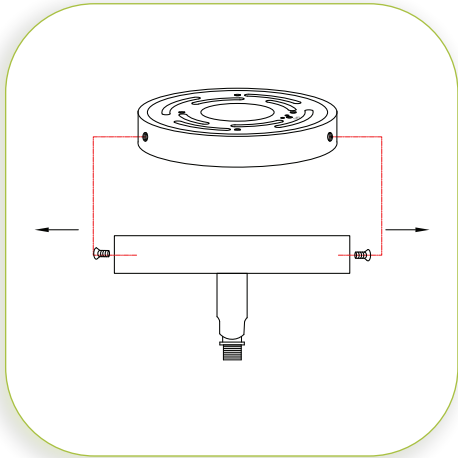
### WHAT WE PROVIDE

- Mounting & Wiring Hardware
- 6 x Glass Shades
- Canopy Kit
- Metal Pendant & Cord
- 6 x G9 Bulbs
- One 6", Three 12", and One 18" Rods

### WHAT YOU NEED

- Phillips Screwdriver
- Wire Cutters
- Wiring Supplies as Specified by Electrical Code
- Electrical Tape

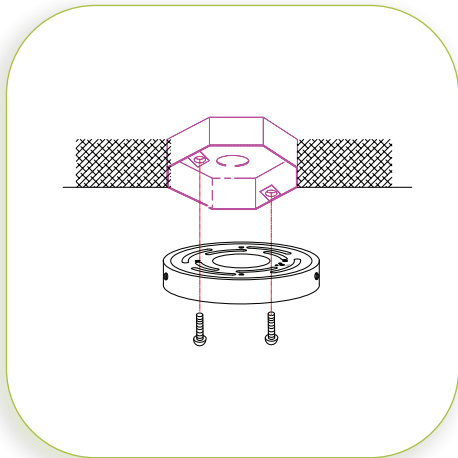
## INSTALLATION INSTRUCTIONS



# 2

### PREPARE FIXTURE AND MOUNTING PLATE

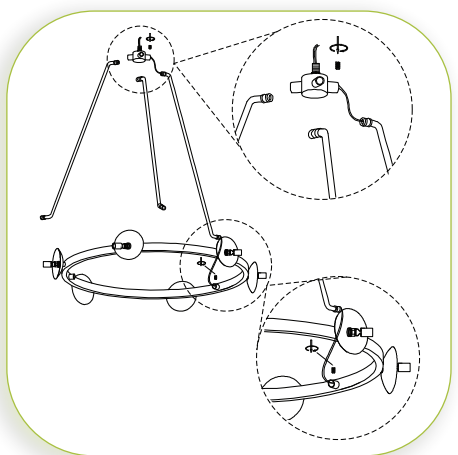
Remove the mounting plate from the canopy by unscrewing the side screws from the canopy.



# 3

### INSTALL MOUNTING PLATE

If there is an existing fixture, remove it. Expose the supply wires from the J-box. Insert supply wires through the mounting plate. Secure mounting plate using two Phillips head screws provided. Hand tighten to secure.

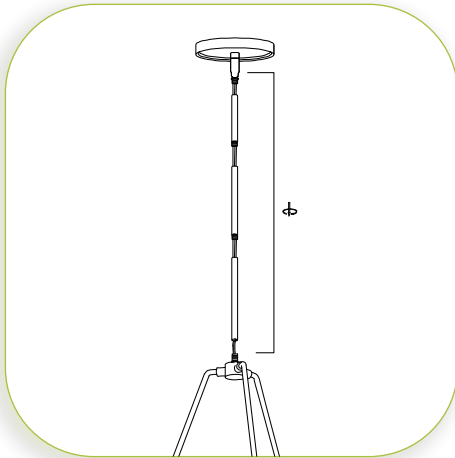


# 4

### INSTALL THE CURVED RODS

Insert the curved rod with wires into the coupler on the rings and slightly pull up the wires. Tighten the set screw to hold the curved rod. Insert the other end into the hub and tighten the set screw. Attach the other 2 curved rods the same way.

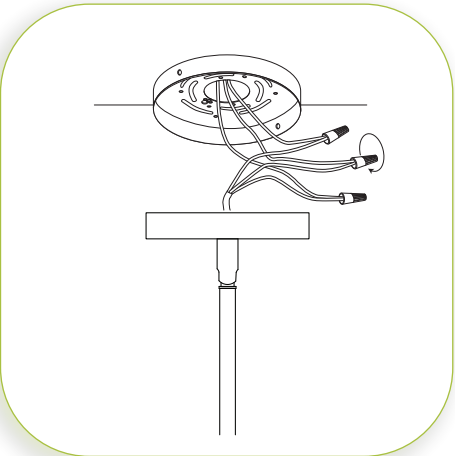
## INSTALLATION INSTRUCTIONS



# 5

### DETERMINE HEIGHT

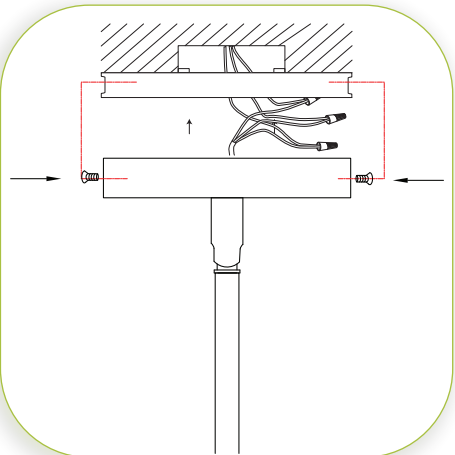
Measure fixture to desired height. Please note this must be done in 6" increments. Once determined, connect the rods one by one to the top of the pendant. Once rods are connected, thread included sloped ceiling adapter and canopy onto the top of the rods. Cut power supply leaving at least 12-18" above, for minor adjustments.



# 6

### MAKE WIRE CONNECTIONS

Connect BLACK fixture wire to the BLACK supply wire and WHITE fixture wire to the WHITE supply wire. Connect the fixture GROUND wire to the J-Box GROUND wire. Secure all connections with the supplied wire nuts, secure all wire connections with electrical tape (not supplied). Tuck all wires carefully into the J-Box.

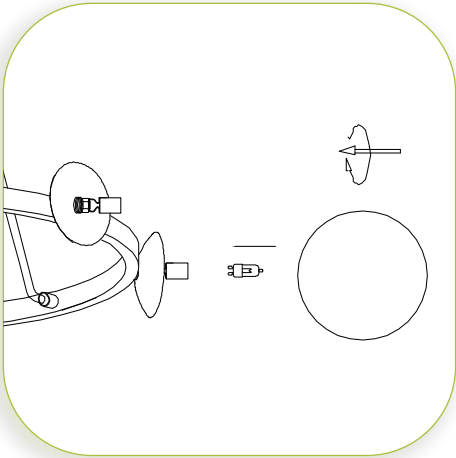


# 7

### INSTALL FIXTURE TO THE MOUNTING PLATE

Position canopy over the mounting plate. Align the holes with the side of canopy and secure with the supplied screws.

## INSTALLATION INSTRUCTIONS



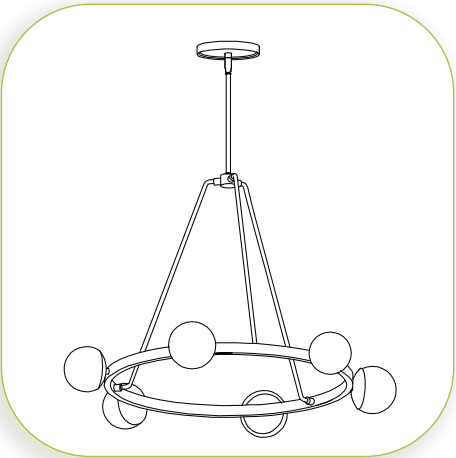
# 8

### INSTALL THE BULBS AND SHADES

Install the bulbs. Thread the glass shades onto the sockets clockwise.

**MAXIMUM WATTAGE 40W MAX PER SOCKET.**

**DO NOT EXCEED THE WATTAGE AS STATED ON THE WARNING LABEL.**



# 9

### RESTORE THE ELECTRICITY AND CHECK THE OPERATION OF YOUR NEW FIXTURE

**CAUTION**

Please ensure that the fitting is cool and switched off before replacing the bulb. DO NOT use bulbs that might exceed the maximum wattage, stated on caution label.

### DIMMER NOTE

For the best lighting experience, we recommend using a dimmer. Not only does this allow you to create a great ambiance, it allows for energy savings and extends the life of the LEDs.