

# INSTALLATION INSTRUCTIONS



## IMPORTANT

Before opening your Lights.com fixture, please make sure that you carefully read through these instruction sheets. Consider having your fixture installed by a qualified licensed electrician.

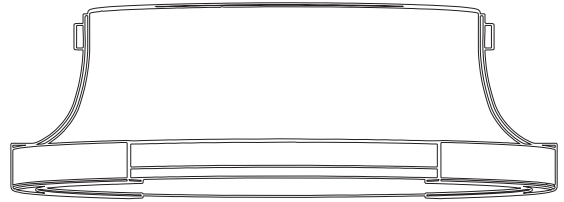
**NOTE:** The important safeguards and instructions that appear in this manual are not meant to cover all possible conditions and situations that may occur. It must be understood that common sense, caution and care, are factors that can't be built into any product. This approach must be used by the person(s) caring for and operating the fixture.

## GENERAL INFORMATION

All electrical connections must be made in accordance with all ordinances, and local and national electrical codes. These fixtures are intended for mounting to a standard 4" junction box. The box must be directly supported by the building structure and be ETL or U.L. Recognized.

## STEP BY STEP INSTRUCTIONS

Before starting your installation, disconnect the power by turning off the circuit breaker or by removing the fuse at the fuse box. **Just turning the light off at the light switch is not sufficient to prevent electrical shock.**



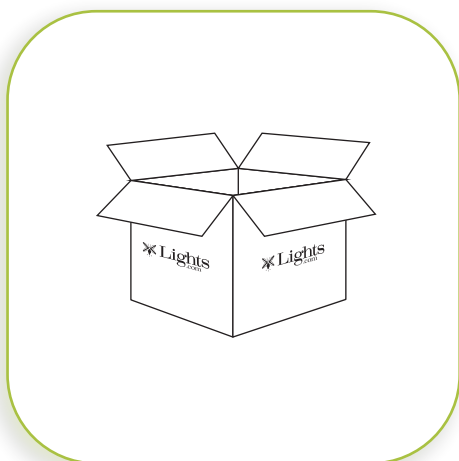
COLLECTION	APPLICATION	MODEL NO.
Joni	Flush Mount	LC005344

## WHAT WE PROVIDE

- Mounting & Wiring Hardware
- Flush Mount with Integrated LED Module
- 1 x Glass Diffuser

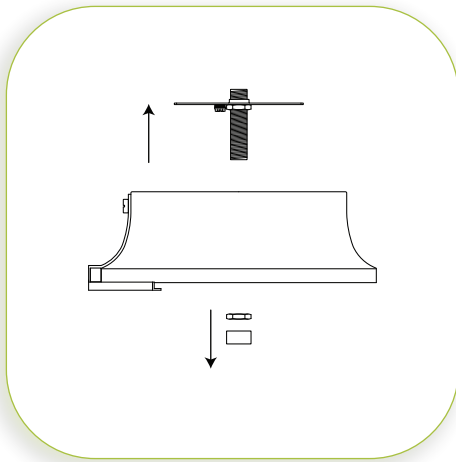
## WHAT YOU NEED

- Phillips Screwdriver
- Wire Cutters
- Wiring Supplies as Specified by Electrical Code
- Electrical Tape



# 1

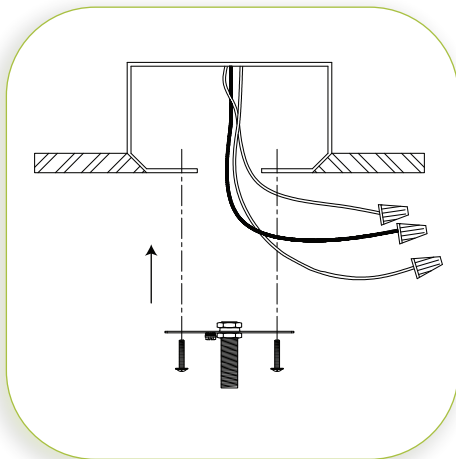
## UNPACK YOUR FIXTURE



# 2

### REMOVE MOUNTING BAR FROM FIXTURE

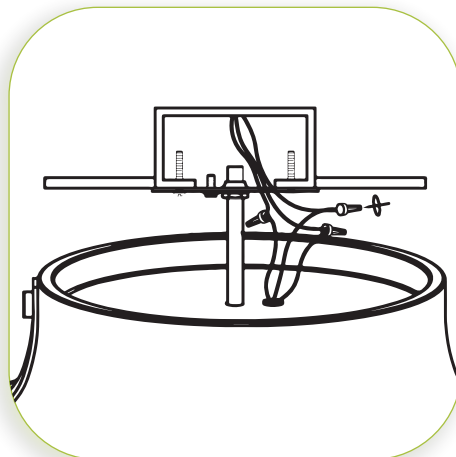
Remove the mounting bar by unscrewing the hex and cap nut from the mounting bar.



# 3

### INSTALL MOUNTING BAR

If there is an existing fixture, remove it. Expose the supply wires from the J-box. Secure mounting bar using two Phillips head screws provided. Hand tighten to secure.



# 4

### MAKE WIRE CONNECTIONS

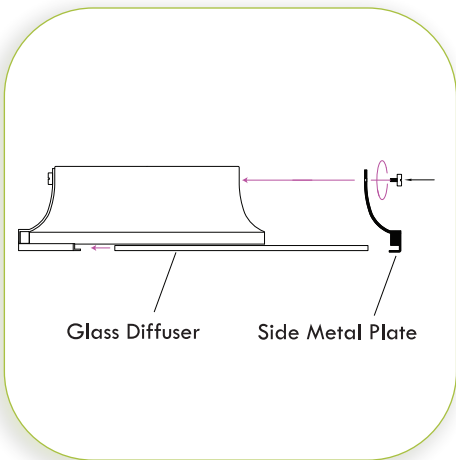
Connect BLACK fixture wire to the BLACK supply wire and the WHITE fixture wire to the WHITE supply wire. Connect the fixture ground wire to the J-Box ground wire or wrap around one of the protruding screws on the mounting plate. Secure all connections with the supplied wire nuts. Secure all wire connections with electrical tape (not supplied). Tuck all wires carefully into the J-Box.



# 5

## MOUNT THE FIXTURE

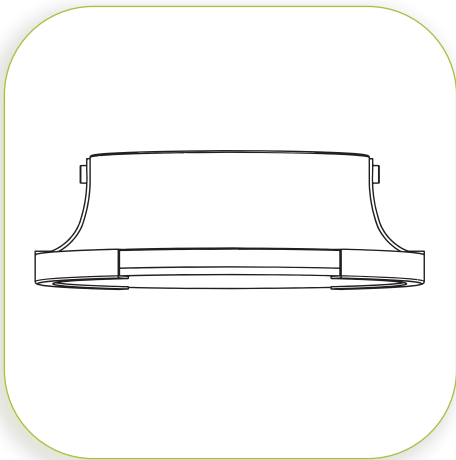
Position the fixture over the mounting bar and secure using the previously removed hex and cap nut. DO NOT over tighten.



# 6

## INSTALL GLASS DIFFUSER

Position the glass diffuser onto the bottom of the fixture and secure into place using the side metal plate and thumb screw provided. DO NOT over tighten.



# 7

## RESTORE THE ELECTRICITY AND CHECK THE OPERATION OF YOUR NEW FIXTURE

NOTE: This is a light emitting diode (LED) fixture. The LED board is fixed to the inside of the flush mount. This is your light source. The fixture is rated to last upwards of 50,000 hours.

## DIMMER NOTE

For the best lighting experience, we recommend using a dimmer. Not only does this allow you to create a great ambiance, it allows for energy savings and extends the life of the LEDs.