

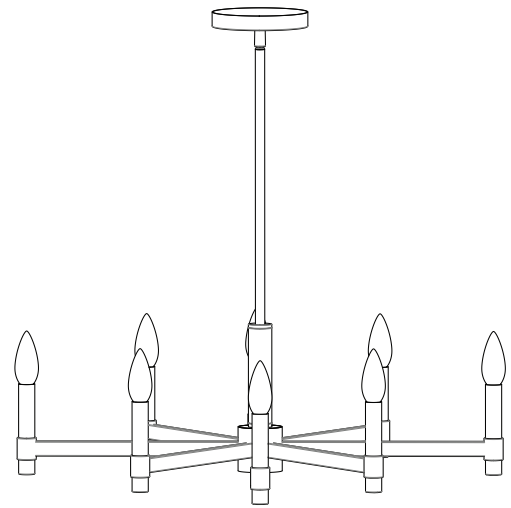
INSTALLATION INSTRUCTIONS



IMPORTANT

Before installing your Lights.com fixture, please make sure that you carefully read through these instruction sheets. Consider having your fixture installed by a qualified licensed electrician.

NOTE: The important safeguards and instructions that appear in this manual are not meant to cover all possible conditions and situations that may occur. It must be understood that common sense, caution and care, are factors that can't be built into any product. This approach must be used by the person(s) caring for and operating the fixture.



GENERAL INFORMATION

All electrical connections must be made in accordance with all ordinances, and Local and National Electrical Codes. These fixtures are intended for mounting to a standard 4" junction box. The box must be directly supported by the building structure and be ETL or U.L. Recognized.

STEP BY STEP INSTRUCTIONS

Before starting your installation, disconnect the power by turning off the circuit breaker or by removing the fuse at the fuse box. **Just turning the light off at the light switch is not sufficient to prevent electrical shock.**

COLLECTION

Carson

APPLICATION

8-Light Chandelier

MODEL NO.

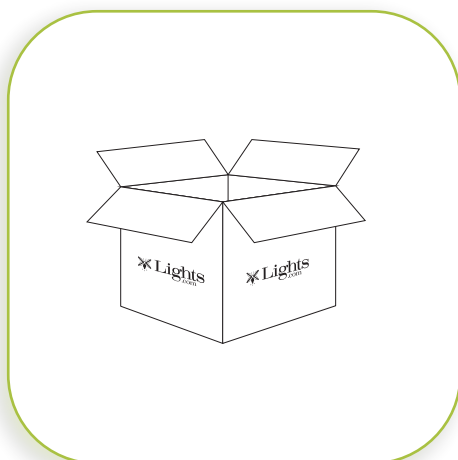
LC005356

WHAT WE PROVIDE

- Mounting & Wiring Hardware
- Canopy Kit
- One 6" Rod
- Two 12" Rods
- One 18" Rod

WHAT YOU NEED

- Phillips Screwdriver
- Flathead Screwdriver
- Wire Cutters
- Wiring Supplies as Specified by Electrical Code
- Electrical Tape
- 8 x 60W E12 Bulbs

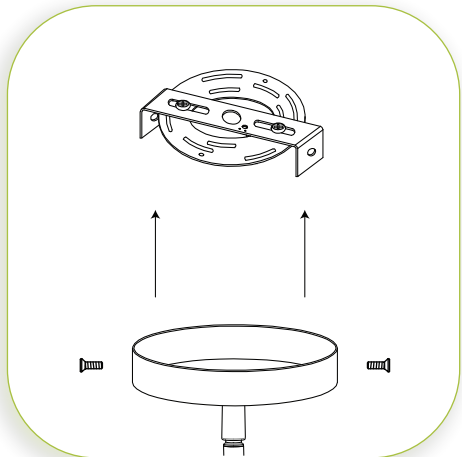


1

UNPACK YOUR FIXTURE

Carefully set aside all parts and pieces.

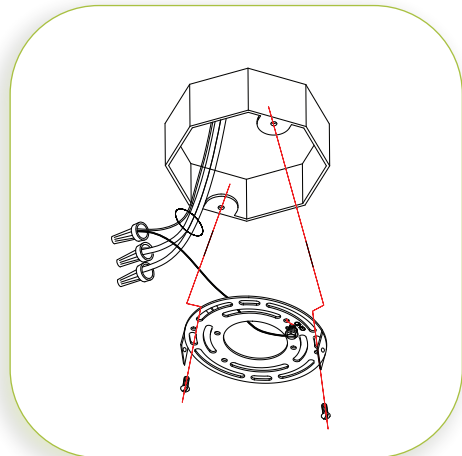
INSTALLATION INSTRUCTIONS



2

PREPARE FIXTURE AND MOUNTING PLATE

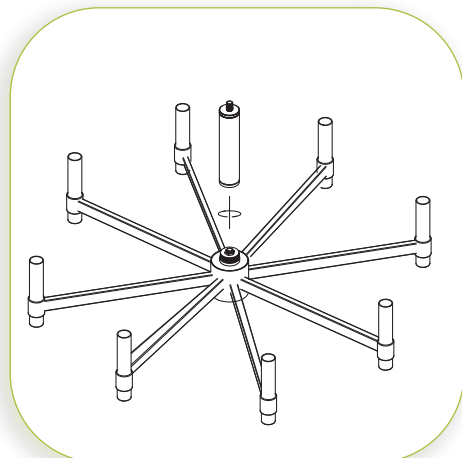
Remove the mounting plate from the canopy by unscrewing the side screws from the canopy.



3

INSTALL MOUNTING PLATE

If there is an existing fixture, remove it. Expose the supply wires from the J-box. Insert supply wires through the mounting plate. Secure mounting plate using two Phillips head screws provided. Hand tighten to secure.

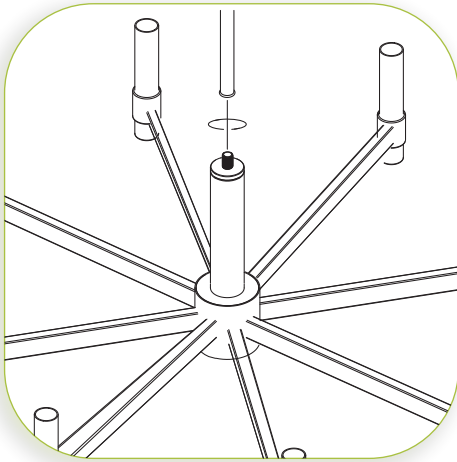


4

INSTALL CENTER STEM

Thread the bottom of the center stem onto the protruding nipple on the top of the fixture body. Hand tighten until secure.

INSTALLATION INSTRUCTIONS



5

INSTALL ROD(S)

Choose desired hanging length for the light fixture. Assemble the rods (6-in / 12-in) to the desired length. Pass the supply wires and the ground wire through the rods. Attach the rod to the center stem. Hand tighten to secure.



6

INSTALL CEILING CANOPY

Pass the supply wires and ground wire through the ceiling canopy. Thread the ceiling canopy to the uppermost rod. Hand tighten to secure.

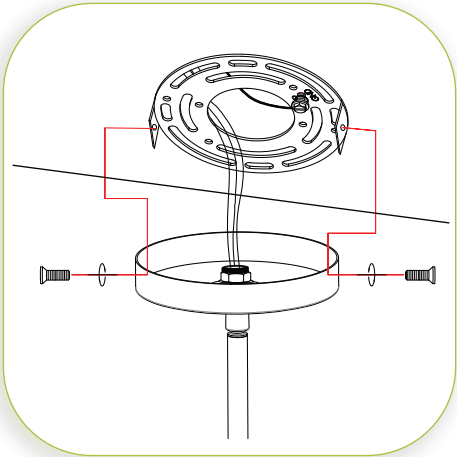


7

MAKE WIRE CONNECTIONS

Connect BLACK fixture wire to the BLACK supply wire and WHITE fixture wire to the WHITE supply wire. Connect the fixture GROUND wire to the J-Box GROUND wire. Secure all connections with the supplied wire nuts and electrical tape (not supplied). Tuck all wires carefully into the J-Box.

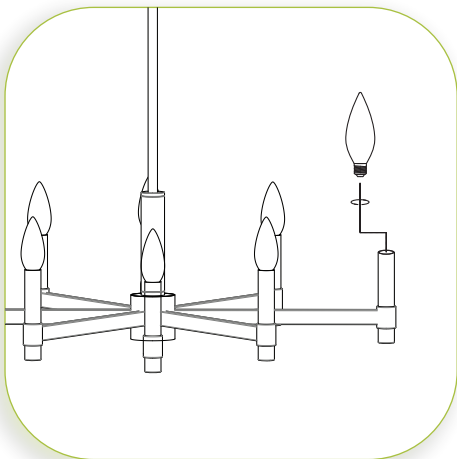
INSTALLATION INSTRUCTIONS



8

INSTALL FIXTURE TO THE MOUNTING PLATE

Position canopy over the mounting plate. Align the holes with the sides of the canopy and secure with the supplied screws.



9

INSTALL BULBS

Install the bulbs.

MAXIMUM WATTAGE 60W PER SOCKET.

DO NOT EXCEED THE WATTAGE AS STATED ON THE WARNING LABEL.



10

RESTORE THE ELECTRICITY AND CHECK THE OPERATION OF YOUR NEW FIXTURE



DIMMER NOTE

For the best lighting experience, we recommend using a dimmer. Not only does this allow you to create a great ambiance, it allows for energy savings and extends the life of the bulbs.