

# INSTALLATION INSTRUCTIONS



## IMPORTANT

Before installing your Lights.com fixture, please make sure that you carefully read through these instruction sheets. Consider having your fixture installed by a qualified licensed electrician.

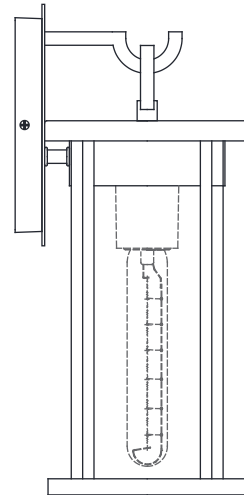
**NOTE:** The important safeguards and instructions that appear in this manual are not meant to cover all possible conditions and situations that may occur. It must be understood that common sense, caution and care, are factors that can't be built into any product. This approach must be used by the person(s) caring for and operating the fixture.

## GENERAL INFORMATION

All electrical connections must be made in accordance with all ordinances, and Local and National Electrical Codes. These fixtures are intended for mounting to a standard 4" junction box. The box must be directly supported by the building structure and be ETL or U.L. Recognized.

## STEP BY STEP INSTRUCTIONS

Before starting your installation, disconnect the power by turning off the circuit breaker or by removing the fuse at the fuse box. **Just turning the light off at the light switch is not sufficient to prevent electrical shock.**



## COLLECTION

Cyrus

## APPLICATION

Outdoor Wall Light

## MODEL NO.

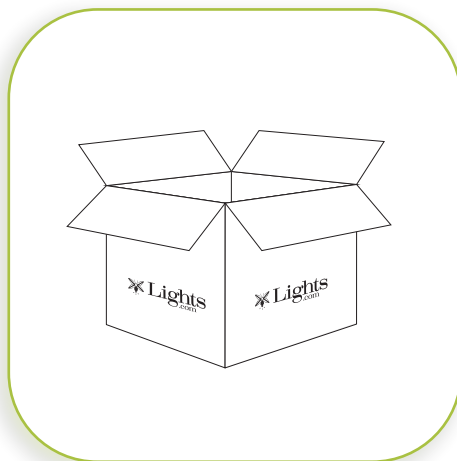
LC005370  
LC005371

## WHAT WE PROVIDE

- Wall Light
- Mounting & Wiring Hardware
- 1 Glass shade

## WHAT YOU NEED

- Phillips head Screwdriver
- Wire Cutters
- Electrical Tape
- 1 x 100W E26 bulb

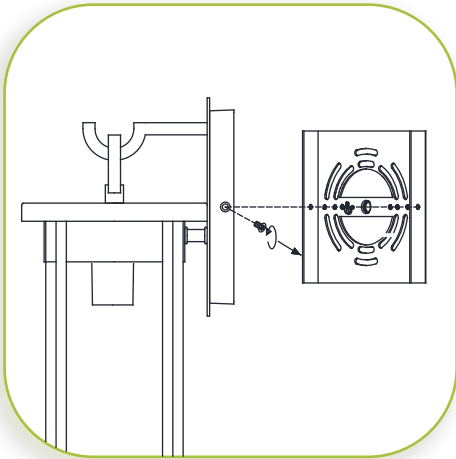


# 1

## UNPACK YOUR FIXTURE

Carefully set aside all parts and pieces.

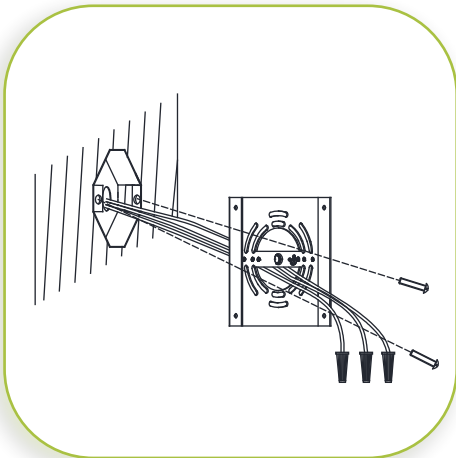
## INSTALLATION INSTRUCTIONS



# 2

### PREPARE MOUNTING PLATE

Remove the mounting plate from the backplate by unscrewing the screws from the backplate.

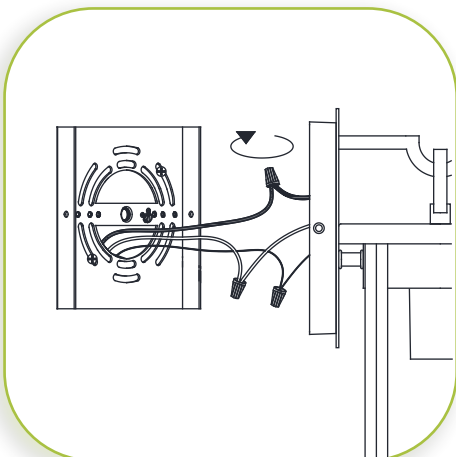


# 3

### INSTALL THE MOUNTING PLATE

**NOTE:** This fixture can only be mounted vertically.

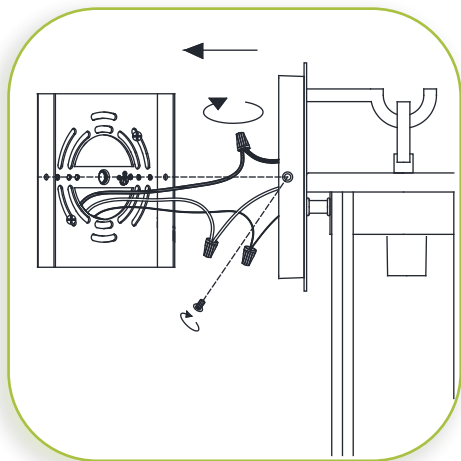
If there is an existing fixture, remove it. Expose the supply wires from the J-Box. Insert supply wires through the mounting plate. Secure the mounting plate using the Phillips head screws provided. Tighten to secure.



# 4

### MAKE WIRE CONNECTIONS

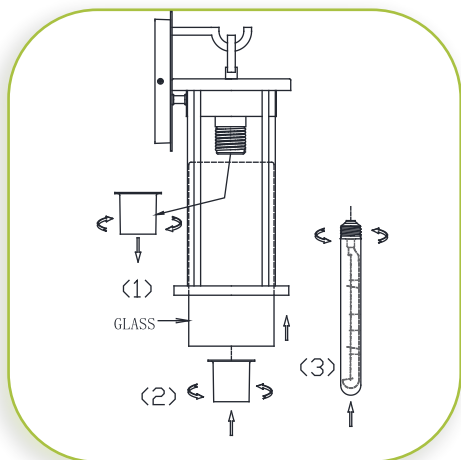
Connect the BLACK fixture wire to the BLACK supply wire and connect the WHITE fixture wire to the WHITE supply wire. Connect the fixture GROUND wire to the J-Box GROUND wire, or wrap around one of the protruding screws on the mounting plate. Secure all connections with the supplied wire nuts and electrical tape (not supplied).



# 5

### CONNECT FIETURE MOUNTING PLATE

Position the fixture body over the mounting plate. Secure the fixture body to the mounting plate with the two screws on the sides.



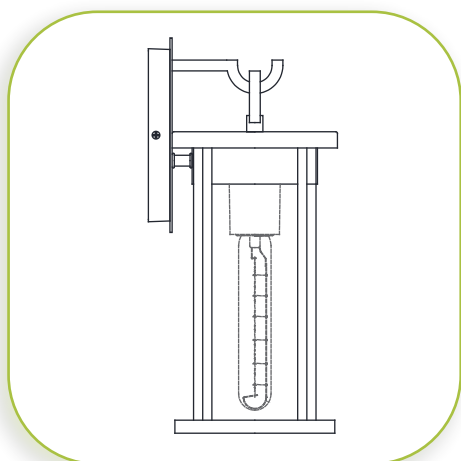
# 6

### INSTALL GLASS AND BULB

Unscrew the socket cover from the socket. Then, push the glass up over the socket and secure by threading the socket cover over the socket.

Install your E26 100W Max bulb.

**MAXIMUM WATTAGE 100W. DO NOT EXCEED THE WATTAGE AS STATED ON THE WARNING LABEL.**



# 7

### RESTORE THE ELECTRICITY AND CHECK THE OPERATION OF YOUR NEW FIXTURE

## CAUTION

Please ensure that the fitting is cool and switched off before replacing the bulb. DO NOT use bulbs that might exceed the maximum wattage, stated on caution label.

For the best lighting experience, we recommend using a dimmer. Not only does this allow you to create a great ambiance, it allows for energy savings and extends the life of the bulbs.

### DIMMER NOTE