

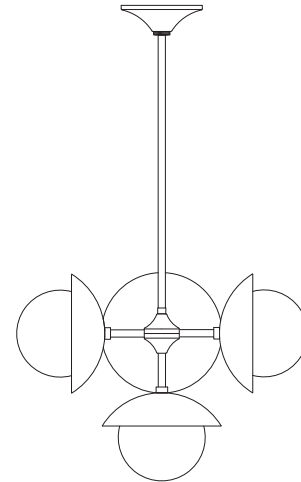
INSTALLATION INSTRUCTIONS



IMPORTANT

Before installing your Lights.com fixture, please make sure that you carefully read through these instruction sheets. Consider having your fixture installed by a qualified licensed electrician.

NOTE: The important safeguards and instructions that appear in this manual are not meant to cover all possible conditions and situations that may occur. It must be understood that common sense, caution and care, are factors that can't be built into any product. This approach must be used by the person(s) caring for and operating the fixture.



COLLECTION

Mira

APPLICATION

4-Globe Pendant

MODEL NO.

LC005377

GENERAL INFORMATION

All electrical connections must be made in accordance with all ordinances, and Local and National Electrical Codes. These fixtures are intended for mounting to a standard 4" junction box. The box must be directly supported by the building structure and be ETL or U.L. Recognized.

STEP BY STEP INSTRUCTIONS

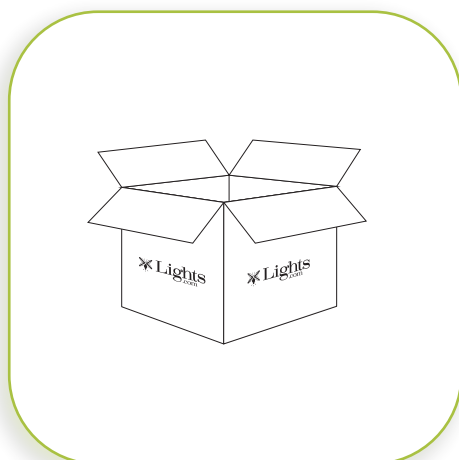
Before starting your installation, disconnect the power by turning off the circuit breaker or by removing the fuse at the fuse box. **Just turning the light off at the light switch is not sufficient to prevent electrical shock.**

WHAT WE PROVIDE

- Mounting & Wiring Hardware
- Canopy Kit
- One 6" Rod
- Two 12" Rods
- One 18" Rod
- 4 x 6W G9 Bulbs

WHAT YOU NEED

- Phillips head Screwdriver
- Wire Cutters
- Wiring Supplies as Specified by Electrical Code
- Electrical Tape

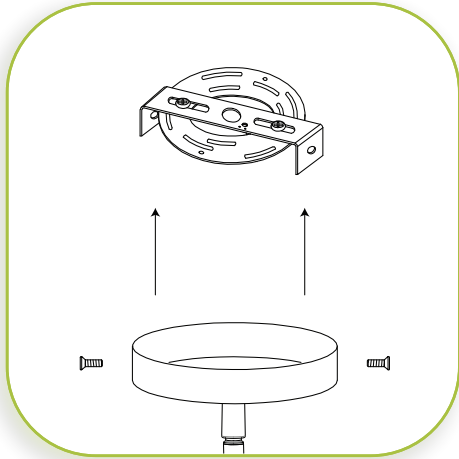


1

UNPACK YOUR FIXTURE

Carefully set aside all parts and pieces.

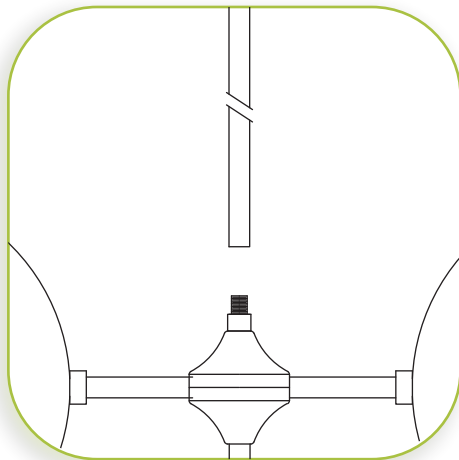
INSTALLATION INSTRUCTIONS



2

PREPARE FIXTURE AND MOUNTING PLATE

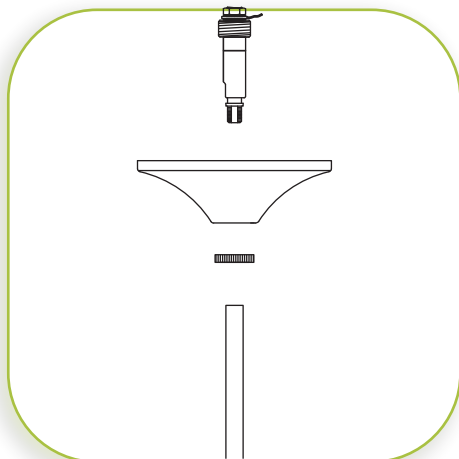
Remove the mounting plate from the canopy by unscrewing the side screws from the canopy.



3

ATTACH ROD(S) TO FIXTURE

Attach fixture base to rods for desired height, leaving minimum of inches of wire at the top.

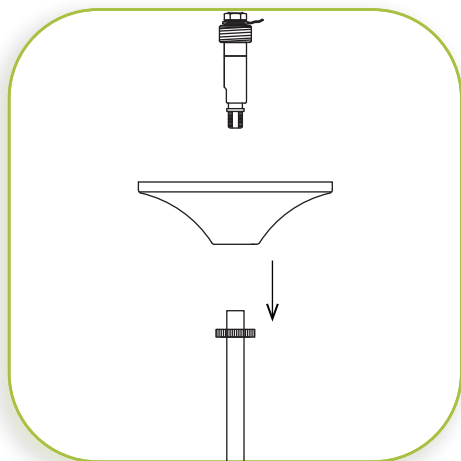


4

SEPARATE KNURLED RING

Remove the Knurled ring from the sloped adapter.

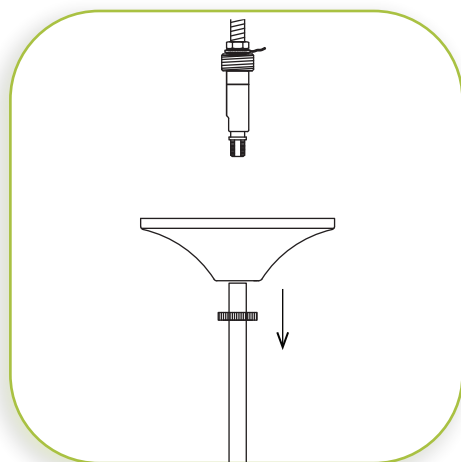
INSTALLATION INSTRUCTIONS



5

PREPARE KNURLED RING

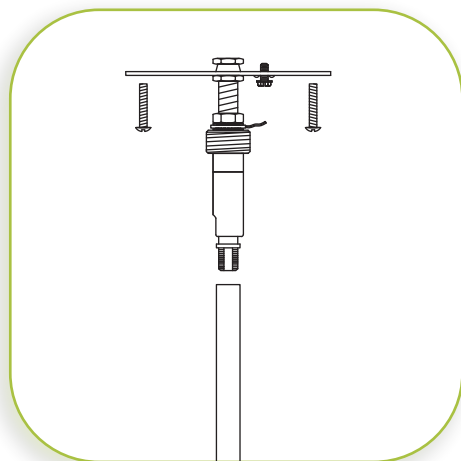
Slide knurled canopy ring down the rods.



6

PREPARE CANOPY

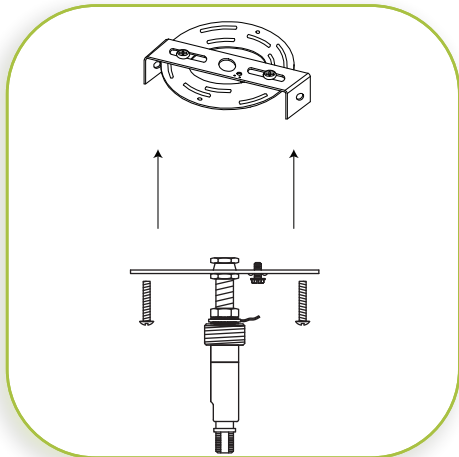
Slide canopy down the rods (on top of the knurled ring).



7

CONNECT SLOPED ADAPTER

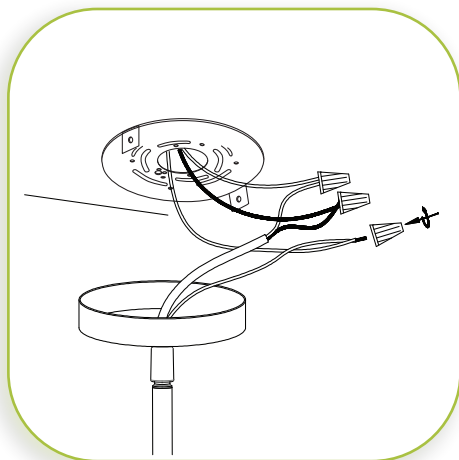
Connect the sloped adapter with the mounting bracket to the end of the rods.



8

CONNECT FIXTURE TO MOUNTING PLATE

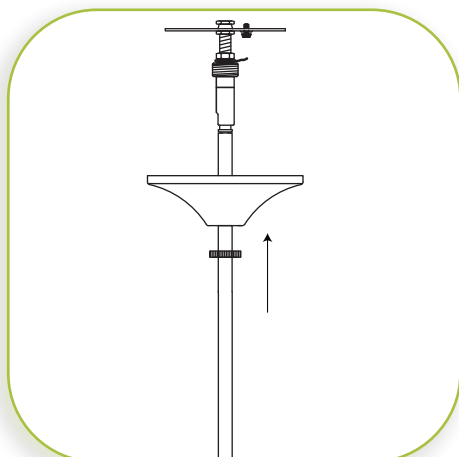
Lifting the entire fixture up with the mounting bracket, secure the mounting bracket to the jbox.



9

MAKE WIRE CONNECTIONS

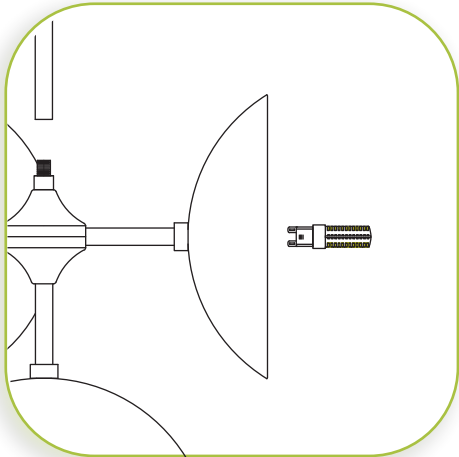
Connect BLACK fixture wire to the BLACK supply wire and WHITE fixture wire to the WHITE supply wire. Connect the fixture GROUND wire to the J-Box GROUND wire. Secure all connections with the supplied wire nuts and electrical tape (not supplied). Tuck all wires carefully into the J-Box.



10

FASTEN CANOPY

Slide the canopy and knurled ring up the rods. Fasten the knurled ring to the threaded slope adapter.



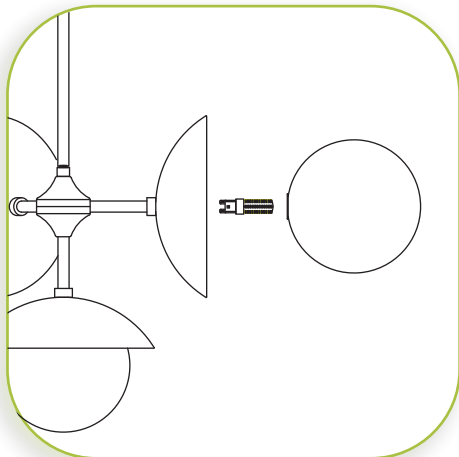
11

INSTALL BULBS

Install the included bulbs.

MAXIMUM WATTAGE 40W PER SOCKET.

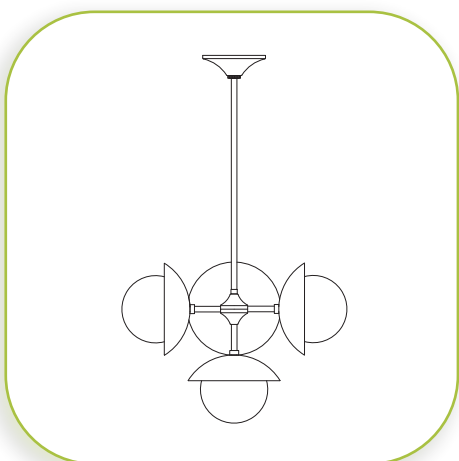
DO NOT EXCEED THE WATTAGE AS STATED ON THE WARNING LABEL.



12

INSTALL SHADES

Install the glass shades, by rotating clockwise to secure in place.



13

RESTORE THE ELECTRICITY AND CHECK THE OPERATION OF YOUR NEW FIXTURE

CAUTION

Please ensure that the fitting is cool and switched off before replacing the bulb. DO NOT use bulbs that might exceed the maximum wattage, stated on caution label.

DIMMER NOTE

For the best lighting experience, we recommend using a dimmer. Not only does this allow you to create a great ambiance, it allows for energy savings and extends the life of the bulbs.