

INSTALLATION INSTRUCTIONS



IMPORTANT

Before installing your Lights.com fixture, please make sure that you carefully read through these instruction sheets. Consider having your fixture installed by a qualified licensed electrician.

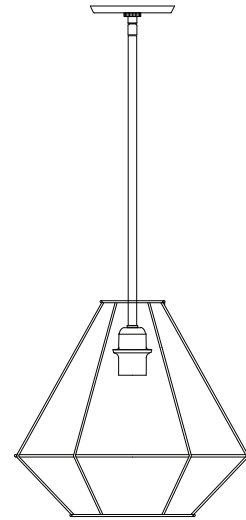
NOTE: The important safeguards and instructions that appear in this manual are not meant to cover all possible conditions and situations that may occur. It must be understood that common sense, caution and care, are factors that can't be built into any product. This approach must be used by the person(s) caring for and operating the fixture.

GENERAL INFORMATION

All electrical connections must be made in accordance with all ordinances, and Local and National Electrical Codes. These fixtures are intended for mounting to a standard 4" junction box. The box must be directly supported by the building structure and be ETL or U.L. Recognized.

STEP BY STEP INSTRUCTIONS

Before starting your installation, disconnect the power by turning off the circuit breaker or by removing the fuse at the fuse box. **Just turning the light off at the light switch is not sufficient to prevent electrical shock.**



COLLECTION

Farrah

APPLICATION

Pendant

MODEL NO.

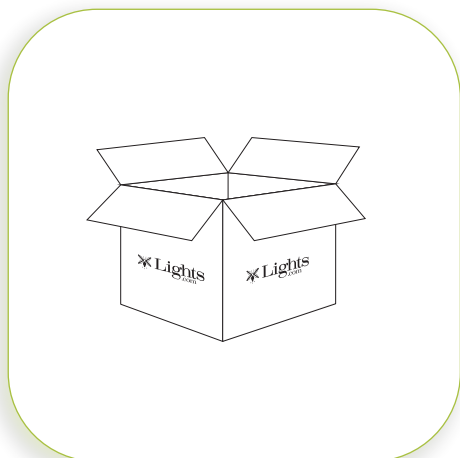
LC005392

WHAT WE PROVIDE

- Fixture
- Shade
- Silicone Washer
- Canopy Kit
- Wire Nuts and Mounting Hardware
- 1 x 6" Rod, 2x 12" Rods, 1 x 18" Rod

WHAT YOU NEED

- Phillips Head Screwdriver
- Wire Cutters
- Wiring Supplies as Specified by Electrical Code
- 1 x 60W E26 Bulb

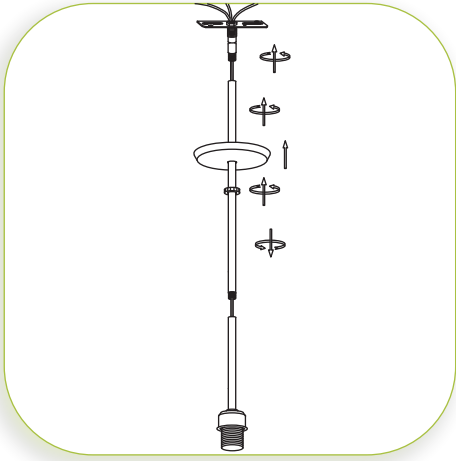


1

UNPACK YOUR FIXTURE

Carefully set aside all parts and pieces.

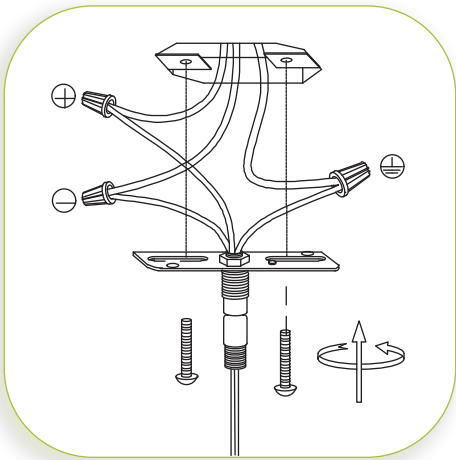
INSTALLATION INSTRUCTIONS



2

ATTACH RODS TO FIXTURE

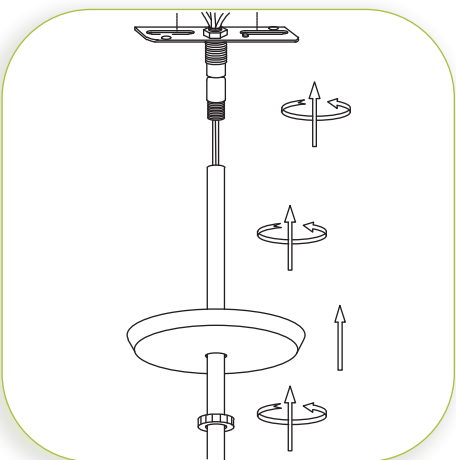
Choose your desired fixture height and feed the wire through the required length of rods as well as the canopy kit and mounting bar. Once the wire has been pulled through, hand-tighten the rods at their connection points, and connect to the mounting bar. Please note, the canopy and O-ring will remain loose on the rods.



3

PREPARE FIXTURE AND INSTALL MOUNTING BAR

If there is an existing fixture, remove it. Expose the supply wires from the junction box. Connect BLACK fixture wire to the BLACK supply wire and the WHITE fixture wire to the WHITE supply wire. Connect the fixture ground wires to the J-Box ground wire or wrap around one of the protruding screws on the mounting bar. Secure all connections with the supplied wire nuts. Tuck all wires carefully into the junction box. Secure mounting bar using two Phillips head screws provided. Hand tighten to secure.

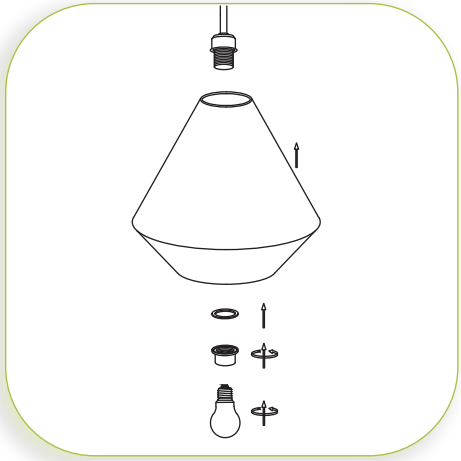


4

SECURE CANOPY TO MOUNTING BAR

Slide the canopy and the O-Ring up the rods to the mounting bar, and secure the canopy in place by rotating the O-ring.

INSTALLATION INSTRUCTIONS

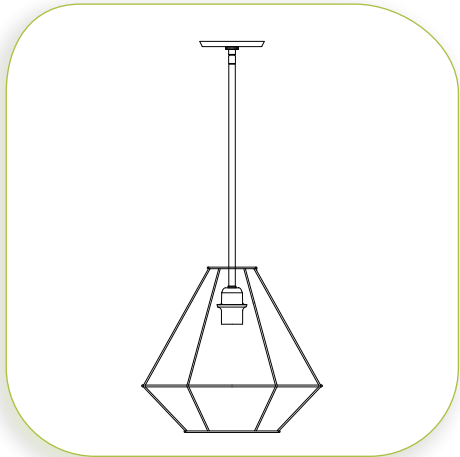
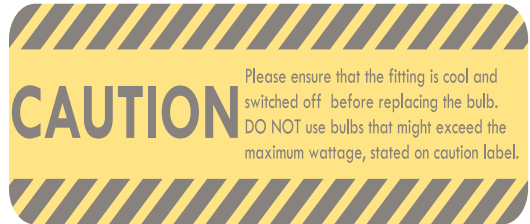


5

INSTALL THE SHADE AND BULB

Remove the decorative socket ring and silicone washer from the socket. Insert the fiber rope shade over the socket. Next insert the silicone washer followed by the decorative socket ring. Turn clockwise to secure with the decorative socket ring until snug and tight. Please note the silicone washer is optional to protect the finish from scratching behind the socket ring. You can choose to use or not use the silicone ring.

MAXIMUM WATTAGE 60W PER SOCKET.



6

RESTORE THE ELECTRICITY AND CHECK THE OPERATION OF YOUR NEW FIXTURE

DIMMER NOTE

Note: For the best lighting experience, we recommend using a dimmer. Not only does this allow you to create a great ambiance, it allows for energy savings and extends the life of the bulbs.