

INSTALLATION INSTRUCTIONS



IMPORTANT

Before installing your Lights.com fixture, please make sure that you carefully read through these instruction sheets. Consider having your fixture installed by a qualified licensed electrician.

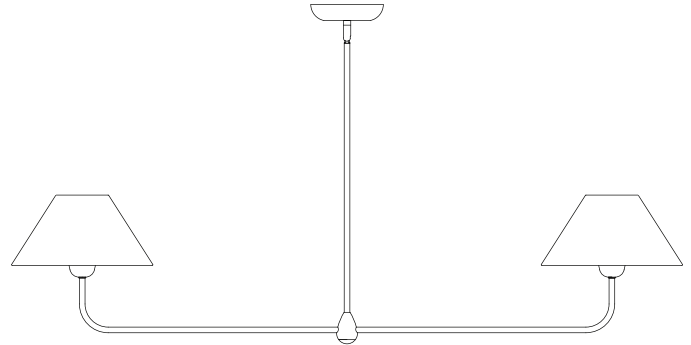
NOTE: The important safeguards and instructions that appear in this manual are not meant to cover all possible conditions and situations that may occur. It must be understood that common sense, caution and care, are factors that can't be built into any product. This approach must be used by the person(s) caring for and operating the fixture.

GENERAL INFORMATION

All electrical connections must be made in accordance with all ordinances and local and national electrical codes. These fixtures are intended for mounting to a standard 4" junction box. The box must be directly supported by the building structure and be ETL or U.L. recognized.

STEP BY STEP INSTRUCTIONS

Before starting your installation, disconnect the power by turning off the circuit breaker or by removing the fuse at the fuse box. **Just turning the light off at the light switch is not sufficient to prevent electrical shock.**



COLLECTION

Holden

APPLICATION

2 Shade Pendant

MODEL NO.

LC005394

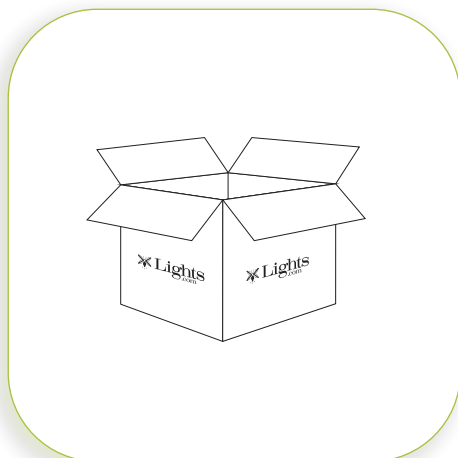
LC005395

WHAT WE PROVIDE

- 2 Fabric Shades
- Canopy Kit
- Fixture
- Wire Nuts and Mounting Hardware
- One 6", Two 12", and One 18" Rods

WHAT YOU NEED

- Phillips Screwdriver
- Wire Cutters
- Wiring Supplies as Specified by Electrical Code
- 2 x E26 Bulb Max 60 Watts

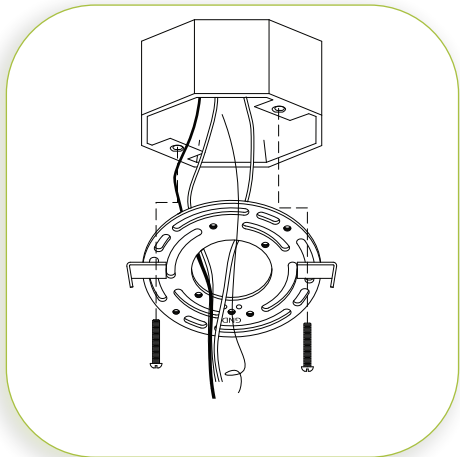


1

UNPACK YOUR FIXTURE

Carefully set aside all parts and pieces.

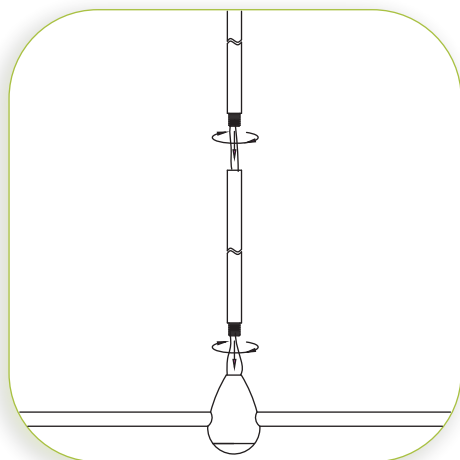
INSTALLATION INSTRUCTIONS



2

INSTALL MOUNTING PLATE

If there is an existing fixture, remove it. Expose the supply wires from the junction box. Remove the mounting plate from the canopy by unscrewing the two screws on the side. Insert supply wires through the mounting bar. Secure mounting plate using two Phillips head screws provided. Hand tighten to secure.

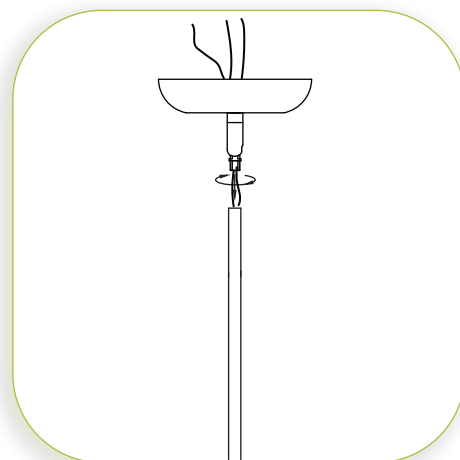


3

DETERMINE HEIGHT

Measure fixture to desired height. Please note this must be done in 6" increments. Insert the wire through each rod to get your desired height. Secure the rods in place by rotating clockwise.

Warning: Do not cross thread the rods or force them together. This will cause damage to the threading.

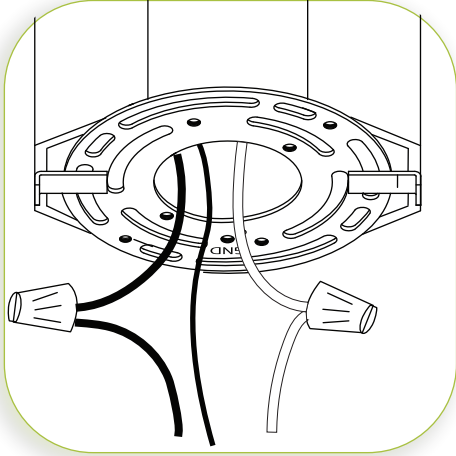


4

INSTALL RODS TO CANOPY

Insert the wire through the canopy and secure rods to canopy by rotating clockwise.

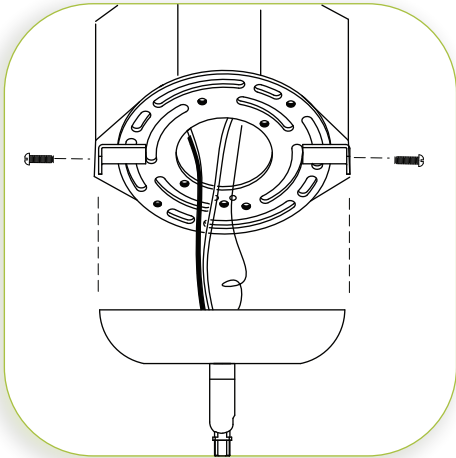
INSTALLATION INSTRUCTIONS



5

MAKE WIRE CONNECTIONS

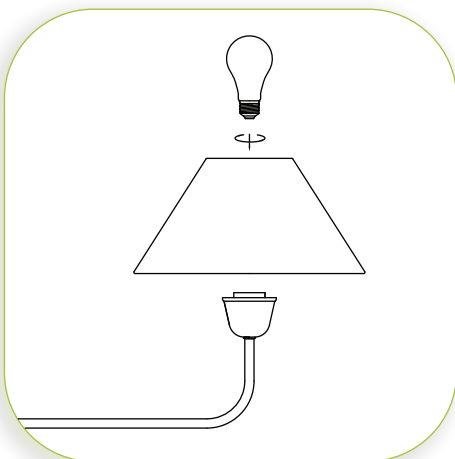
Connect BLACK fixture wire to the BLACK supply wire and the WHITE fixture wire to the WHITE supply wire. Connect the fixture ground wires to the junction box ground wire or wrap around one of the protruding screws on the mounting plate. Secure all connections with the supplied wire nuts. Tuck all wires carefully into the junction box.



6

INSTALL FIXTURE TO THE MOUNTING PLATE

Position canopy over the mounting plate. Align the holes on the sides of the mounting plate with the two holes on the sides of the canopy and secure with the supplied screws.



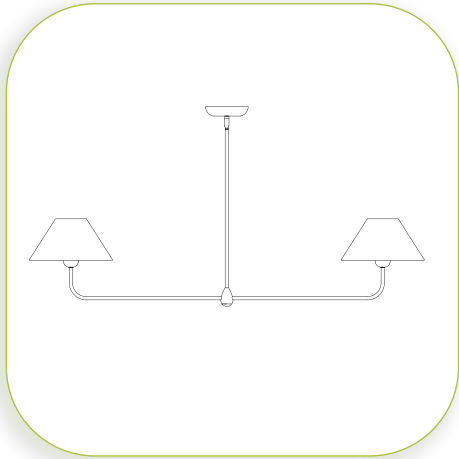
7

INSTALL LAMP SHADES AND LIGHTBULBS

Position the lampshades over the sockets and install your E26 bulbs.

MAXIMUM WATTAGE 60W PER SOCKET.





8

**RESTORE THE ELECTRICITY AND
CHECK THE OPERATION OF YOUR
NEW FIXTURE**

DIMMER NOTE

Note: For the best lighting experience, we recommend using a dimmer. Not only does this allow you to create a great ambiance, it allows for energy savings and extends the life of the bulbs.