

INSTALLATION INSTRUCTIONS



IMPORTANT

Before installing your Lights.com fixture, please make sure that you carefully read through these instruction sheets. Consider having your fixture installed by a qualified licensed electrician.

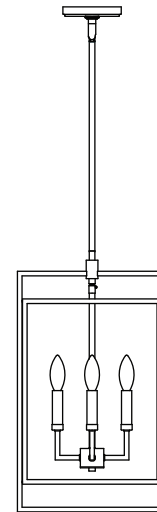
NOTE: The important safeguards and instructions that appear in this manual are not meant to cover all possible conditions and situations that may occur. It must be understood that common sense, caution and care, are factors that can't be built into any product. This approach must be used by the person(s) caring for and operating the fixture.

GENERAL INFORMATION

All electrical connections must be made in accordance with all ordinances, and Local and National Electrical Codes. These fixtures are intended for mounting to a standard 4" junction box. The box must be directly supported by the building structure and be ETL or U.L. Recognized.

STEP BY STEP INSTRUCTIONS

Before starting your installation, disconnect the power by turning off the circuit breaker or by removing the fuse at the fuse box. **Just turning the light off at the light switch is not sufficient to prevent electrical shock.**



COLLECTION

Noa

APPLICATION

4 Light Pendant

MODEL NO.

LC005429

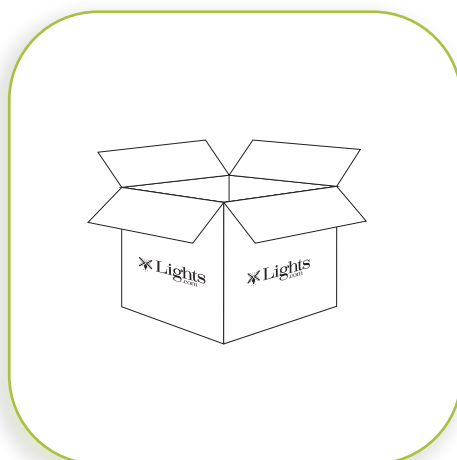
LC005449

WHAT WE PROVIDE

- Mounting & Wiring Hardware
- Canopy Kit
- Fixture
- White & Brass Candle Sleeves
- One 6", Two 12", and One 18" Rods

WHAT YOU NEED

- Phillips head Screwdriver
- Wire Cutters
- Wiring Supplies as Specified by Electrical Code
- 4 x 60W E12 Bulbs

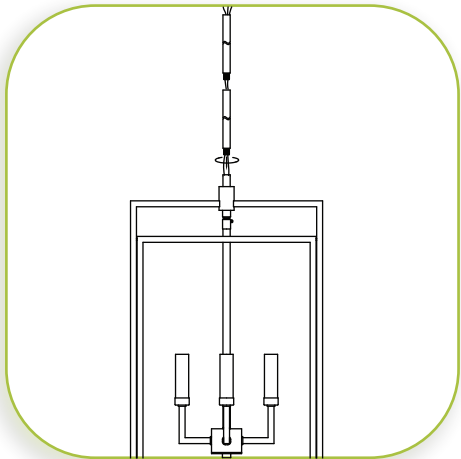


1

UNPACK YOUR FIXTURE

Carefully set aside all parts and pieces.

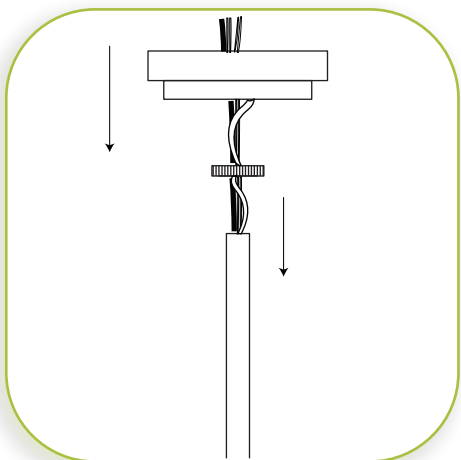
INSTALLATION INSTRUCTIONS



2

DETERMINE HEIGHT

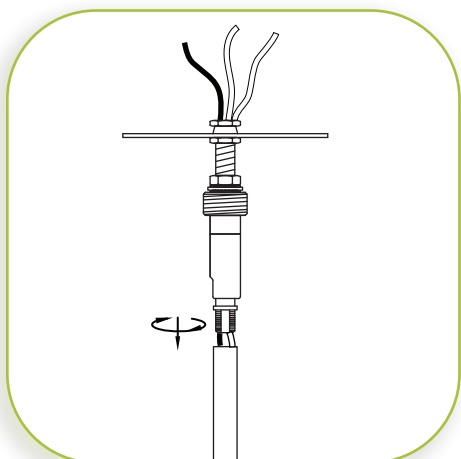
Measure fixture to desired height. Please note this must be done in 6" increments. Once determined, thread desired number of rods down onto the top of the fixture body, while feeding the wire up and through each rod, one at a time.



3

PREPARE KNURLED RING AND CANOPY

Slide knurled ring down the fixture rods first, followed by the canopy.

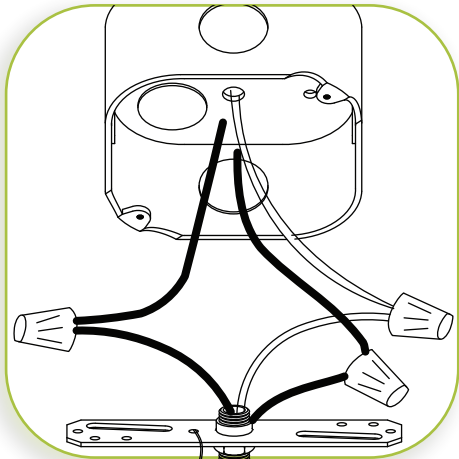


4

CONNECT SLOPED ADAPTER

Connect the sloped adapter with the mounting bracket to the top of the rods, threading the wires through the mounting bracket. Trim wire to leave an additional 12-18" of wire for adjusting.

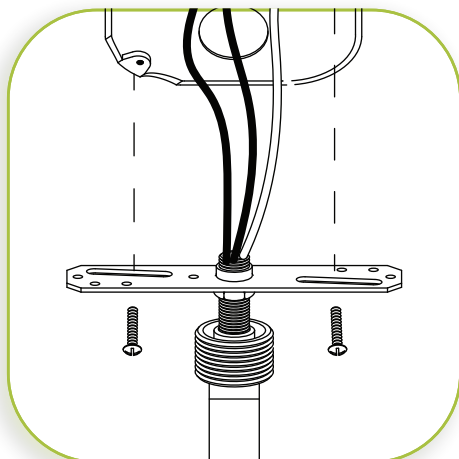
INSTALLATION INSTRUCTIONS



5

MAKE WIRE CONNECTIONS

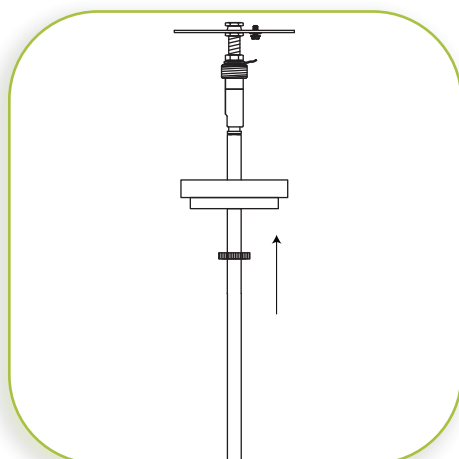
Connect BLACK fixture wire to the BLACK supply wire and WHITE fixture wire to the WHITE supply wire. Connect the fixture GROUND wire to the junction box GROUND wire. Secure all connections with the supplied wire nuts. Tuck all wires carefully into the junction box.



6

CONNECT MOUNTING BAR TO THE JUNCTION BOX

Lifting the entire fixture up to the junction box, secure the mounting bar to the junction box with the two screws provided. Hand tighten to secure.

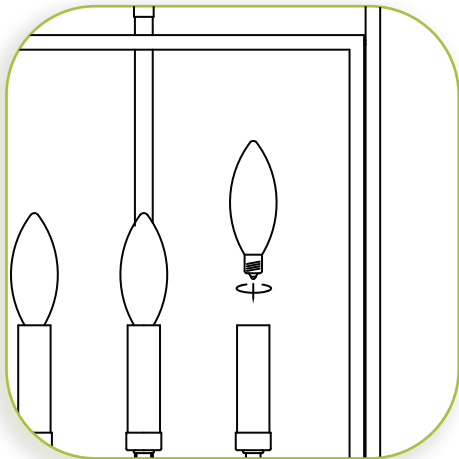


7

FASTEN CANOPY

Slide the canopy and knurled ring up the rods. Fasten the knurled ring to the threaded slope adapter to secure canopy in place.

INSTALLATION INSTRUCTIONS

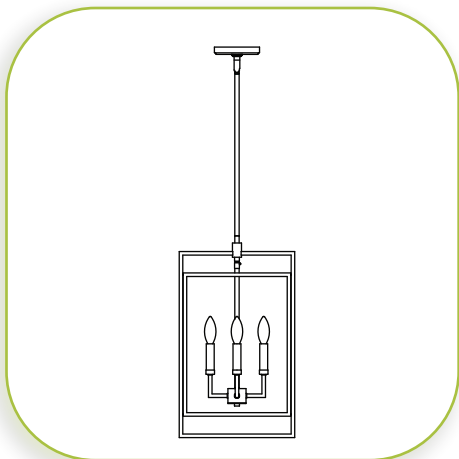


8

INSTALL BULBS

Install desired color candle sleeves over the sockets first, then install the E12 bulbs.

MAXIMUM WATTAGE 60W PER SOCKET.



9

RESTORE THE ELECTRICITY AND CHECK THE OPERATION OF YOUR NEW FIXTURE

For the best lighting experience, we recommend using a dimmer. Not only does this allow you to create a great ambiance, it allows for energy savings and extends the life of the bulbs.

DIMMER NOTE