

INSTALLATION INSTRUCTIONS



Lights.com

IMPORTANT

Before installing your Lights.com fixture, please make sure that you carefully read through these instruction sheets. Consider having your fixture installed by a qualified licensed electrician.

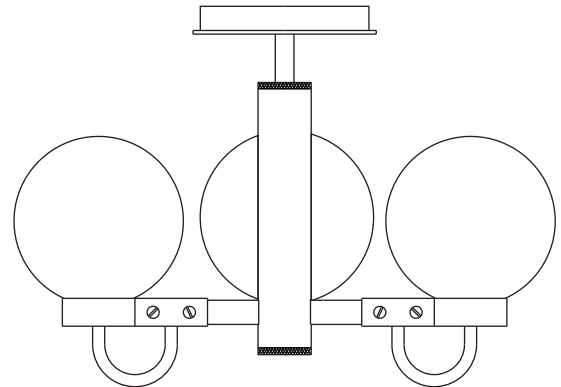
NOTE: The important safeguards and instructions that appear in this manual are not meant to cover all possible conditions and situations that may occur. It must be understood that common sense, caution and care, are factors that can't be built into any product. This approach must be used by the person(s) caring for and operating the fixture.

GENERAL INFORMATION

All electrical connections must be made in accordance with all ordinances, and local and national electrical codes. These fixtures are intended for mounting to a standard 4" junction box. The box must be directly supported by the building structure and be ETL or U.L. Recognized.

STEP BY STEP INSTRUCTIONS

Before starting your installation disconnect the power by turning off the circuit breaker or by removing the fuse at the fuse box. **Just turning the light off at the light switch is not sufficient to prevent electrical shock.**



COLLECTION

Ryan

APPLICATION

3-Light Semi-Flush

MODEL NO.

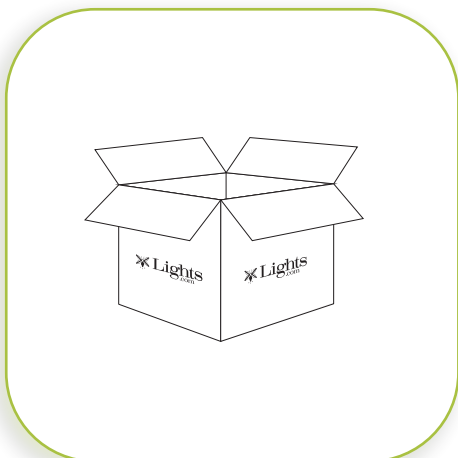
LC005442

WHAT WE PROVIDE

- Mounting & Wiring Hardware
- 3 x Glass Shades

WHAT YOU NEED

- Phillips Screwdriver
- Wire Cutters
- Wiring Supplies as Specified by Electrical Code
- 3 x E12 Bulbs

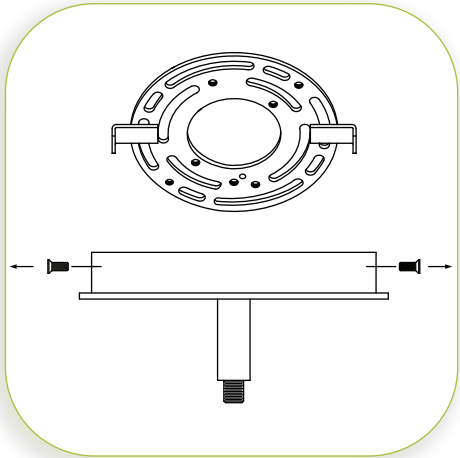


1

UNPACK YOUR FIXTURE

Carefully set aside all parts and pieces.

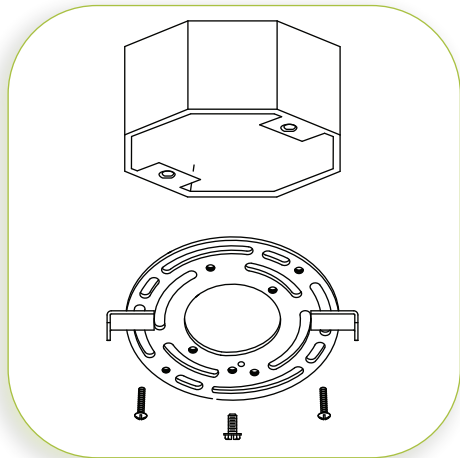
INSTALLATION INSTRUCTIONS



2

PREPARE MOUNTING PLATE

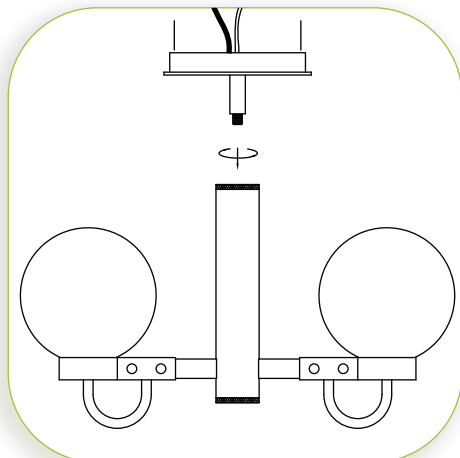
Remove mounting plate from the canopy by unscrewing and removing the small side screws on the canopy. Set canopy screws aside for Step 6.



3

INSTALL MOUNTING PLATE

If there is an existing fixture, remove the fixture and mounting bar. Expose the supply wires from the J-box. Secure the mounting plate, using two Phillips head screws, provided. Hand tighten to secure.

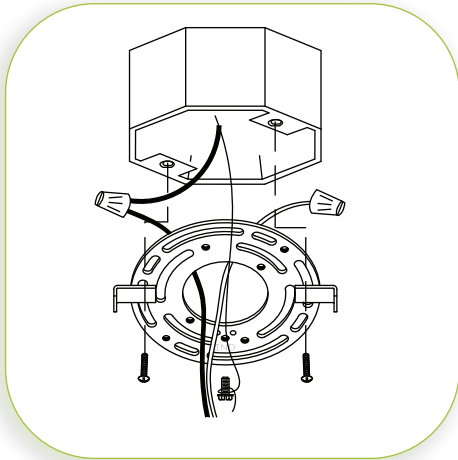


4

THREAD WIRES AND ASSEMBLE THE BODY

Feed the fixture wires up and through the canopy assembly, then thread the canopy onto the fixture center column, turning clockwise, connecting the canopy to the fixture body.

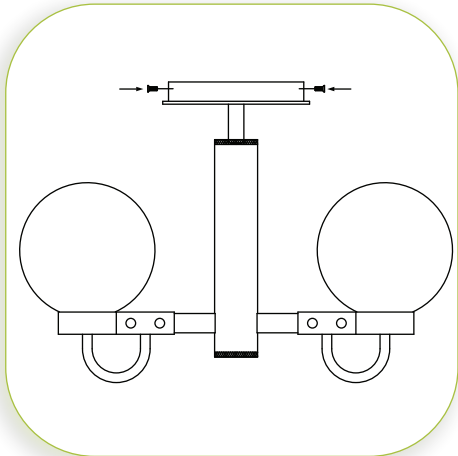
INSTALLATION INSTRUCTIONS



5

MAKE WIRE CONNECTIONS

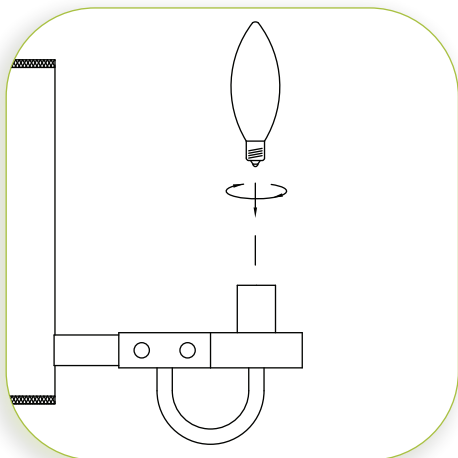
Connect BLACK fixture wire to the BLACK supply wire and the WHITE fixture wire to the WHITE supply wire. Connect the fixture ground wires to the J-box ground wire or wrap around one of the protruding screws on the mounting bar. Secure all connections with the supplied wire nuts. Tuck all wires carefully into the J-box.



6

MOUNT FIXTURE

Lift the assembled fixture body up and onto the mounting plate. Secure in place with the two small canopy screws (from Step 2) into the sides of the canopy.

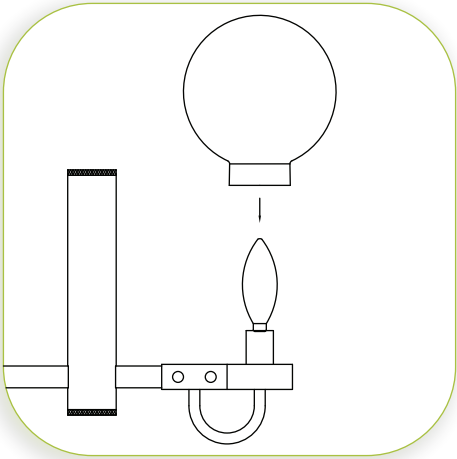


7

INSTALL THE BULBS

MAXIMUM WATTAGE 60 W PER SOCKET. THREAD THE 3 E12 (NOT PROVIDED) SOCKET BULBS CLOCKWISE INTO THE SOCKETS. DO NOT EXCEED THE WATTAGE AS STATED ON THE WARNING LABEL.

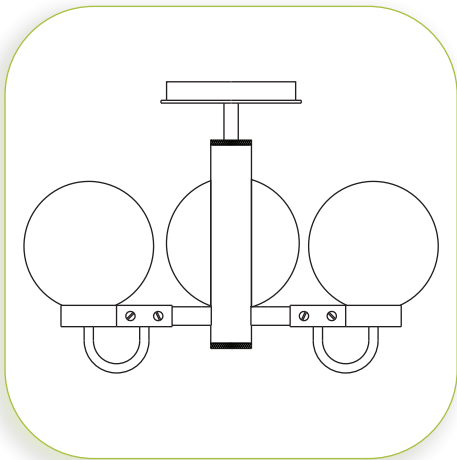
INSTALLATION INSTRUCTIONS



8

INSTALL THE GLASS

Place the glass shades carefully over the bulb and socket, allowing them to rest on the metal frame.



9

RESTORE THE ELECTRICITY AND CHECK THE OPERATION OF YOUR NEW FIXTURE



DIMMER NOTE

For the best lighting experience, we recommend using a dimmer. Not only does this allow you to create a great ambiance, it allows for energy savings and extends the life of the bulbs.