

# INSTALLATION INSTRUCTIONS



## IMPORTANT

Before installing your Lights.com fixture, please make sure that you carefully read through these instruction sheets. Consider having your fixture installed by a qualified licensed electrician.

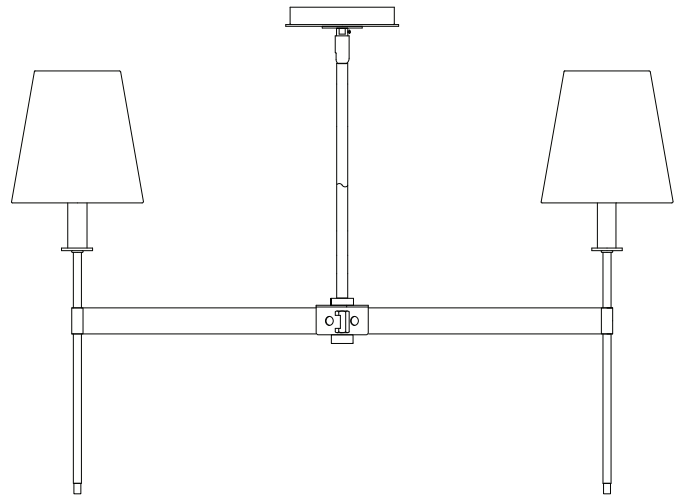
**NOTE:** The important safeguards and instructions that appear in this manual are not meant to cover all possible conditions and situations that may occur. It must be understood that common sense, caution and care, are factors that can't be built into any product. This approach must be used by the person(s) caring for and operating the fixture.

## GENERAL INFORMATION

All electrical connections must be made in accordance with all ordinances, and local and national electrical codes. These fixtures are intended for mounting to a standard 4" junction box. The box must be directly supported by the building structure and be ETL or U.L. Recognized.

## STEP BY STEP INSTRUCTIONS

Before starting your installation disconnect the power by turning off the circuit breaker or by removing the fuse at the fuse box. **Just turning the light off at the light switch is not sufficient to prevent electrical shock.**



### COLLECTION

Taylor

### APPLICATION

Chandelier

### MODEL NO.

LC005453

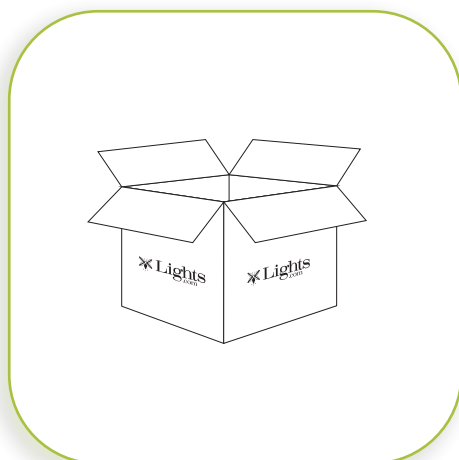
LC005454

### WHAT WE PROVIDE

- Taylor 6 Light Chandelier
- 6 x Fabric Shades
- Mounting & Wiring Hardware
- Canopy Kit
- One 6" Rod
- Two 12" Rod
- One 18" Rods

### WHAT YOU NEED

- Phillips Screwdriver
- Flathead Screwdriver
- Wire Cutters
- Wiring Supplies as Specified by Electrical Code
- 6 x 60W E12 Bulbs

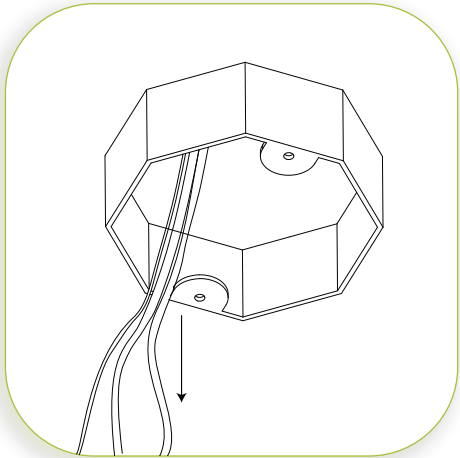


# 1

## UNPACK YOUR FIXTURE

Carefully set aside all parts and pieces.

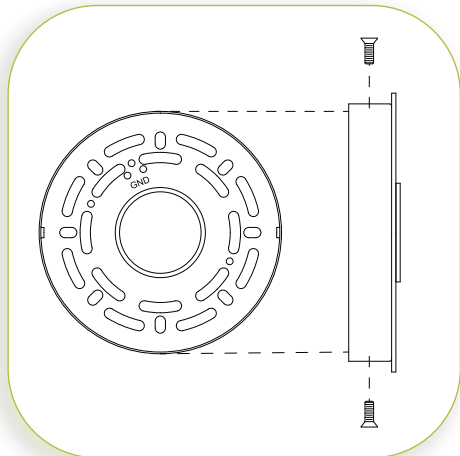
## INSTALLATION INSTRUCTIONS



# 2

### PREPARE JUNCTION BOX

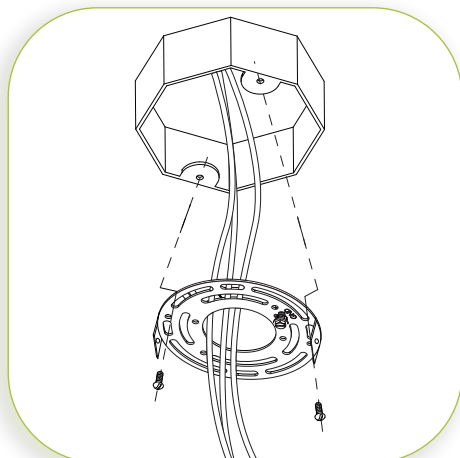
Pull supply wires out of the existing junction box and prepare for installation.



# 3

### PREPARE MOUNTING PLATE

Remove the mounting plate from the canopy by loosening two small screws on the side of the canopy.

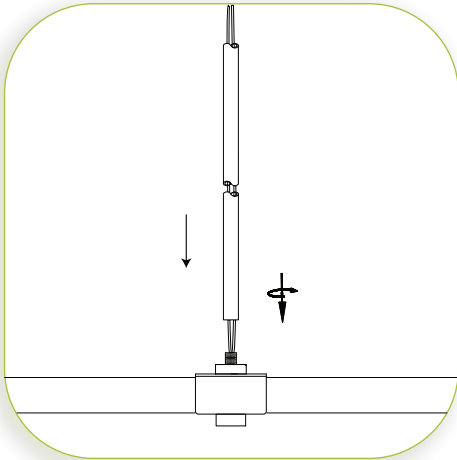


# 4

### INSTALL MOUNTING PLATE

Slide mounting plate over the supply wires and attach to the junction box with the two Phillips head screws provided.

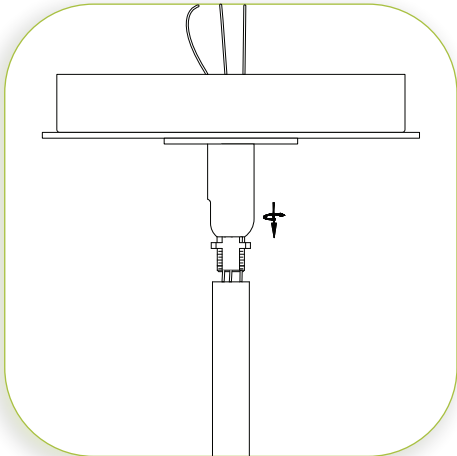
## INSTALLATION INSTRUCTIONS



5

### DETERMINE FIXTURE HEIGHT

Thread desired number of stems down onto the center splice compartment of the fixture, while feeding the wire up and through each rod, one at a time. Connect rods together by rotating down clockwise to tighten.



6

### ATTACH CANOPY ASSEMBLY

Feed the wires through the swivel and canopy assembly and attach the bottom of the swivel to the top rod by rotating down clockwise onto the rod tightly. Trim wire to leave an additional 12-18" for minor adjustments.

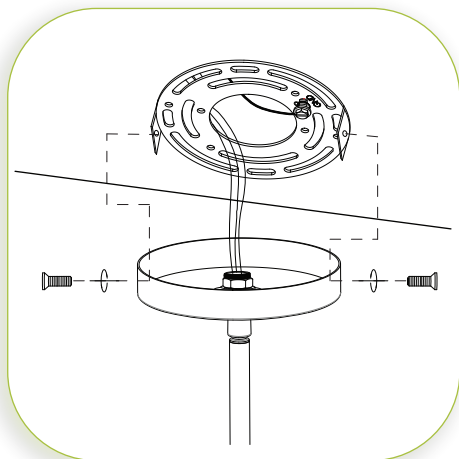


7

### MAKE WIRE CONNECTIONS

Lift and hold assembled fixture up to the ceiling and make all necessary wire connections. Connect Black fixture wire to Black supply wire, White fixture wire to White supply wire and Copper or Green ground wire to raw Copper supply wire, using approved wire connectors supplied. Push all connectors and access wire up through the center hole in the back plate, so they will be inside the junction box.

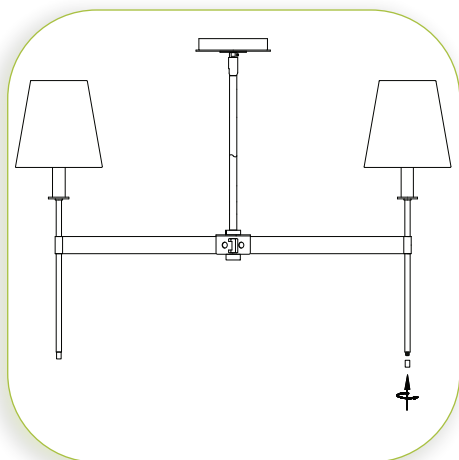
## INSTALLATION INSTRUCTIONS



8

### INSTALL FIXTURE TO THE MOUNTING PLATE

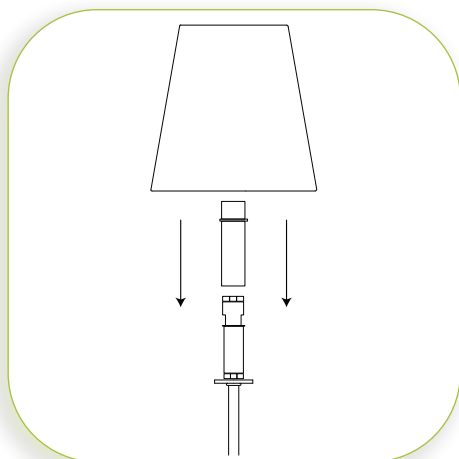
Lift fixture canopy onto the back plate and secure in place with the two small screws on the side of the canopy.



9

### INSTALL FINIALS

Install 6 tail finials onto the bottom of the fixture arms by threading clockwise until tightened.

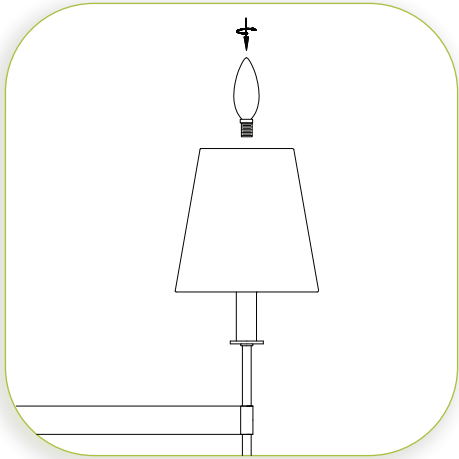


10

### INSTALL SHADES

Install candle sleeves over each socket and slide fabric shade onto the top of each candle sleeve.

## INSTALLATION INSTRUCTIONS

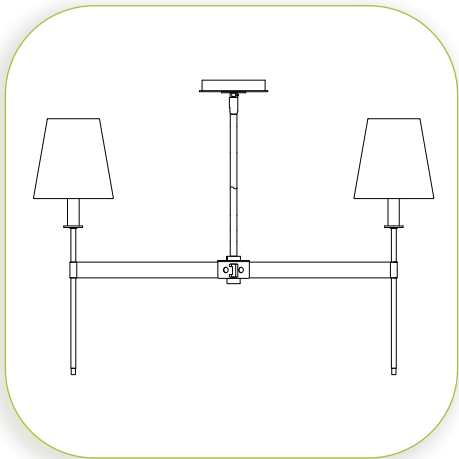


# 11

### INSTALL BULBS

Install the 6 candelabra bulbs.

**MAXIMUM WATTAGE 60W PER SOCKET.**



# 12

### RESTORE THE ELECTRICITY AND CHECK THE OPERATION OF YOUR NEW FIXTURE

### DIMMER NOTE

For the best lighting experience, we recommend using a dimmer. Not only does this allow you to create a great ambiance, it allows for energy savings and extends the life of the bulbs.