

# INSTALLATION INSTRUCTIONS



# Lights.com

## IMPORTANT

Before installing your Lights.com fixture, please make sure that you carefully read through these instruction sheets. Consider having your fixture installed by a qualified licensed electrician.

**NOTE:** The important safeguards and instructions that appear in this manual are not meant to cover all possible conditions and situations that may occur. It must be understood that common sense, caution and care, are factors that can't be built into any product. This approach must be used by the person(s) caring for and operating the fixture.

## GENERAL INFORMATION

All electrical connections must be made in accordance with all ordinances, and local and national electrical codes. These fixtures are intended for mounting to a standard 4" junction box. The box must be directly supported by the building structure and be ETL or U.L. Recognized.

## STEP BY STEP INSTRUCTIONS

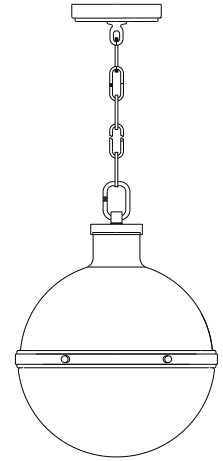
Before starting your installation, disconnect the power by turning off the circuit breaker or by removing the fuse at the fuse box. **Just turning the light off at the light switch is not sufficient to prevent electrical shock.**



# 1

## UNPACK YOUR FIXTURE

Carefully set aside all parts and pieces.



## COLLECTION

Paxton

## APPLICATION

Pendant

## MODEL NO.

LC005455

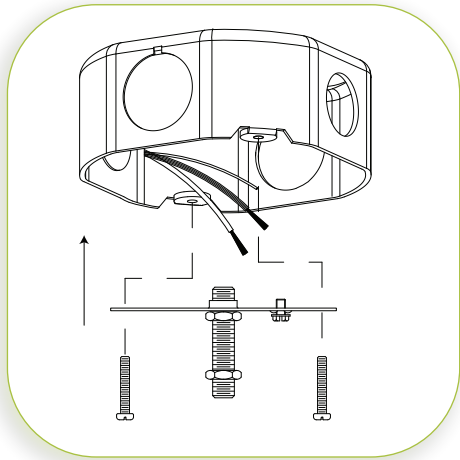
## WHAT WE PROVIDE

- Mounting & Wiring Hardware
- Canopy Kit
- 6 Ft. Chain
- Canopy & Fixture Loop with Collar Ring

## WHAT YOU NEED

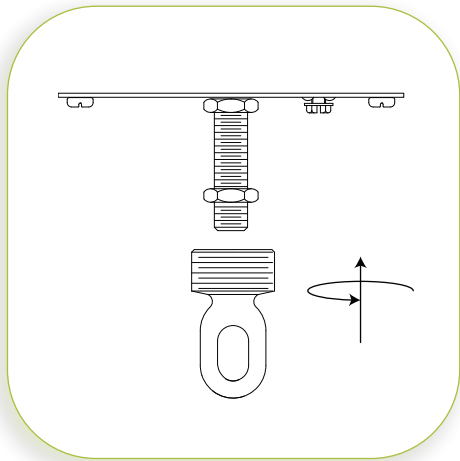
- Phillips Screwdriver
- Wire Cutters
- Chain Pliers
- Wiring Supplies as Specified by Electrical Code
- 1 x 60W E26 Bulbs

## INSTALLATION INSTRUCTIONS



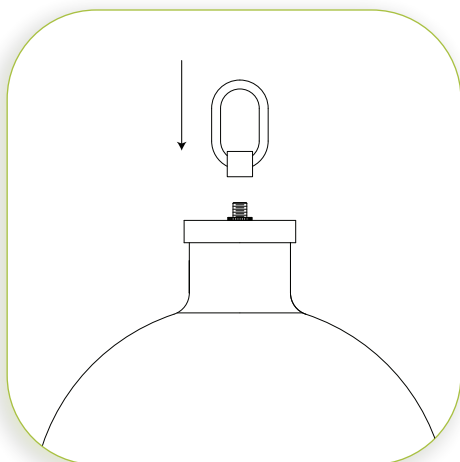
### INSTALL MOUNTING BAR

If there is an existing fixture, remove it. Expose the supply wires from the junction box. Secure the mounting bar using two Phillips head screws provided. Hand tighten to secure.



### INSTALL SCREW COLLAR LOOP

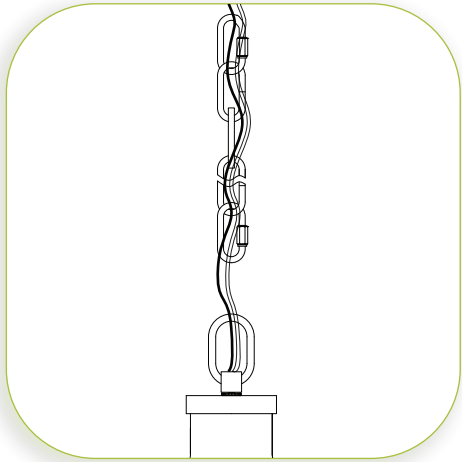
Attach screw collar loop onto the threaded nipple that is attached to the mounting bar.



### INSTALL LOWER CHAIN LOOP

Install the bottom chain loop to the top of the fixture. Hand tighten to secure.

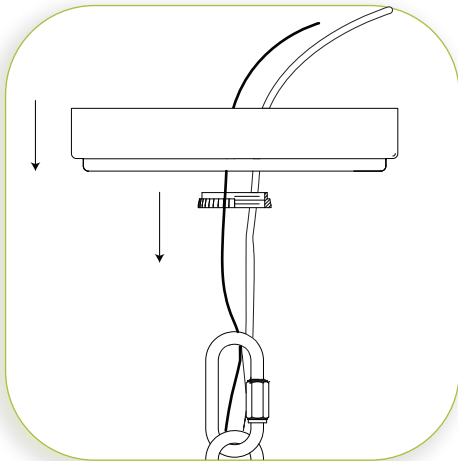
## INSTALLATION INSTRUCTIONS



5

### DETERMINE HEIGHT & CHAIN LENGTH

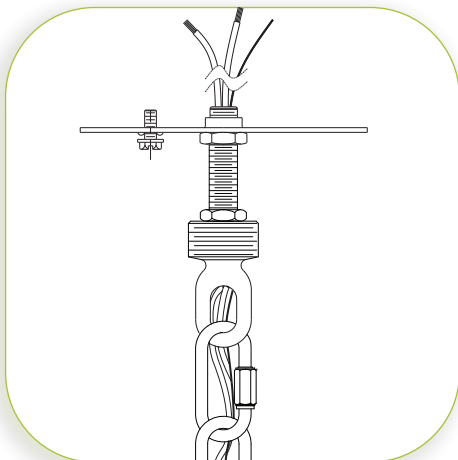
Measure fixture to desired height. Attach the chain link that you have decided will be the upper link to the top adjustable chain link. Attach the bottom adjustable chain link to the bottom fixture loop and close the bottom adjustable link. Weave the fixture wires through the assembled chain.



6

### SLIDE SCREW COLLAR & CANOPY

Slide the screw collar ring and canopy, in that order, down over the chain. Cut power supply cord leaving at least 12" to 18" above the canopy for minor adjustments.

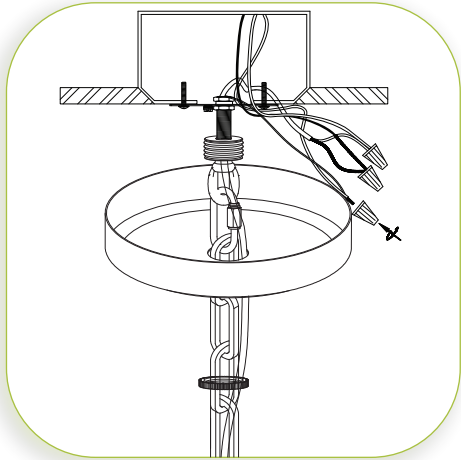


7

### INSTALL FIXTURE

Connect top adjustable chain link to screw collar loop. Then close the top adjustable link to secure fixture to the ceiling. Feed fixture wires up through the center of the screw collar loop and mounting bar.

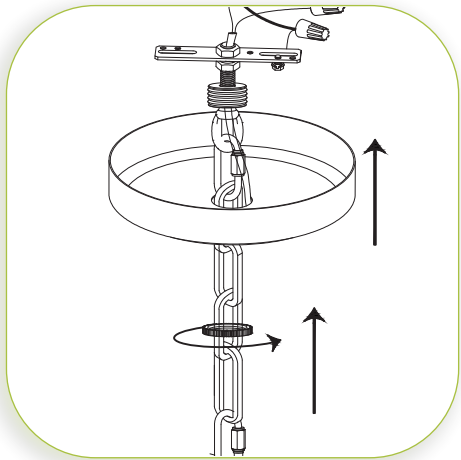
## INSTALLATION INSTRUCTIONS



# 8

### MAKE WIRE CONNECTIONS

Connect BLACK fixture wire to the BLACK supply wire and WHITE fixture wire to the WHITE supply wire. Connect the fixture GROUND wire to the Junction box GROUND wire. Secure all connections with the supplied wire nuts. Tuck all wires carefully into the Junction box.

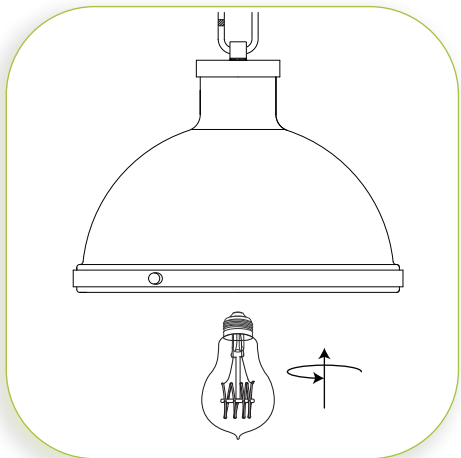


# 9

### INSTALL CANOPY

Raise the canopy against the ceiling and install the screw collar ring to the screw collar and tighten to secure.

**Note: Canopy must be held flush with the ceiling and completely cover the junction box.**



# 10

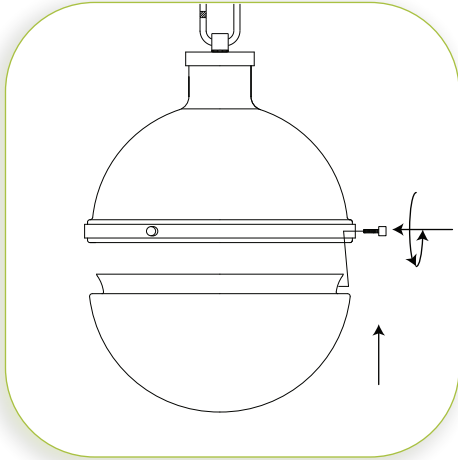
### INSTALL THE BULB

Install your E26 Bulb.

**MAXIMUM WATTAGE 60W PER SOCKET.**



## INSTALLATION INSTRUCTIONS

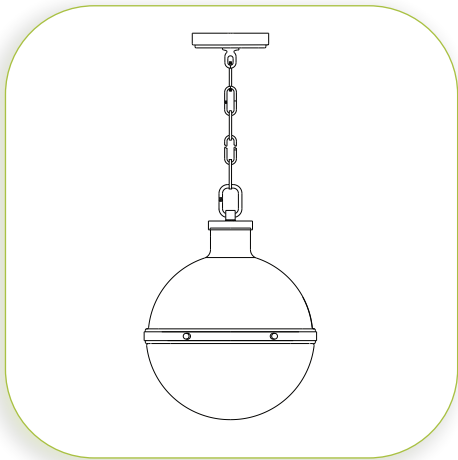


# 11

### INSTALL THE GLASS

Lift glass up to fixture so that the glass lip fits inside the metal body. While holding the glass in place, turn the screws clockwise to secure glass.

**NOTE:** The glass is not supported by the fixture alone and must be secured with the screws provided. Do not over tighten.



# 12

### RESTORE THE ELECTRICITY AND CHECK THE OPERATION OF YOUR NEW FIXTURE

### DIMMER NOTE

For the best lighting experience, we recommend using a dimmer. Not only does this allow you to create a great ambiance, it allows for energy savings and extends the life of the bulbs.