

INSTALLATION INSTRUCTIONS



Lights.com

IMPORTANT

Before installing your Lights.com fixture, please make sure that you carefully read through these instruction sheets. Consider having your fixture installed by a qualified licensed electrician.

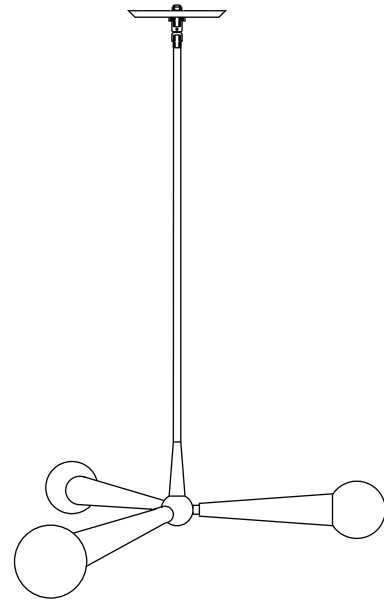
NOTE: The important safeguards and instructions that appear in this manual are not meant to cover all possible conditions and situations that may occur. It must be understood that common sense, caution and care, are factors that can't be built into any product. This approach must be used by the person(s) caring for and operating the fixture.

GENERAL INFORMATION

All electrical connections must be made in accordance with all ordinances, and local and national electrical codes. These fixtures are intended for mounting to a standard 4" junction box. The box must be directly supported by the building structure and be ETL or U.L. Recognized.

STEP BY STEP INSTRUCTIONS

Before starting your installation disconnect the power by turning off the circuit breaker or by removing the fuse at the fuse box. **Just turning the light off at the light switch is not sufficient to prevent electrical shock.**



COLLECTION

Nova

APPLICATION

Pendant

MODEL NO.

LC005456

LC005457

WHAT WE PROVIDE

- Nova Pendant Light
- Mounting & Wiring Hardware
- Canopy Kit
- One 6" Rod, Two 12" Rods, One 18" Rod
- 3 x G9 LED Bulbs

WHAT YOU NEED

- Phillips Head Screwdriver
- Wire Cutters
- Wiring Supplies as Specified by Electrical Code

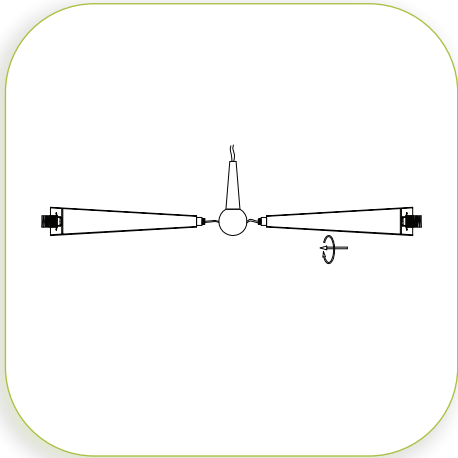


1

UNPACK YOUR FIXTURE

Carefully set aside all parts and pieces.

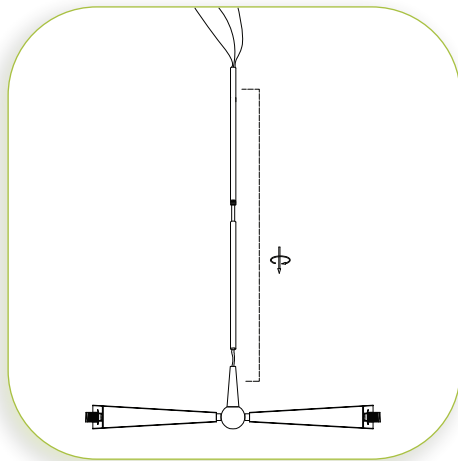
INSTALLATION INSTRUCTIONS



2

ATTACH ARMS

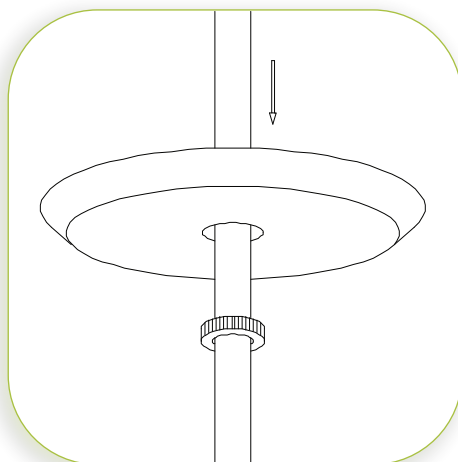
Attach each arm to the round center component of the fixture body by threading them in place clockwise.



3

DETERMINE HEIGHT

Measure fixture to desired height. Please note this must be done in 6" increments. Once determined, thread desired number of rods down into the cone on top of the round fixture body, while feeding the wire up and through each rod, one at a time. Trim wire to leave an additional 12-18" of access wire for adjusting.

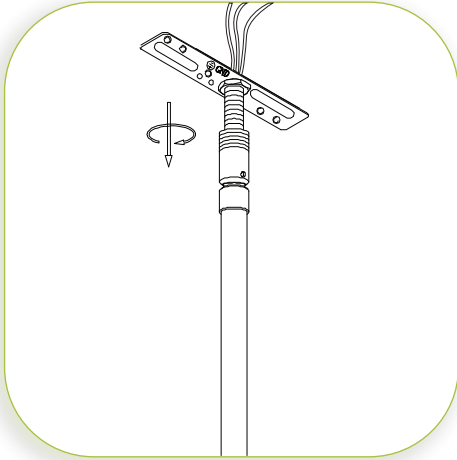


4

PREPARE CANOPY

Carefully slide knurled ring then canopy down the rods and allow to rest on top the fixture body cone.

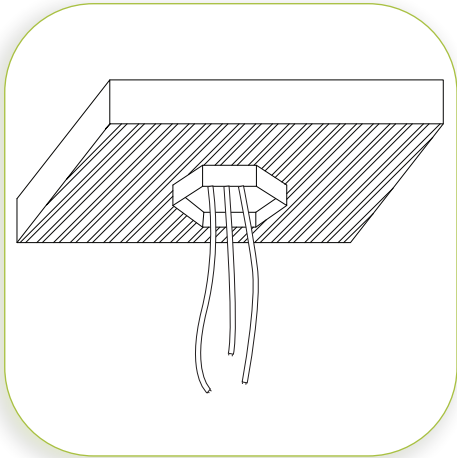
INSTALLATION INSTRUCTIONS



5

ATTACH FIXTURE TO MOUNTING BAR

Feed the wires through the swivel attachment and mounting bar. Attach swivel to the rods, threading down clockwise.

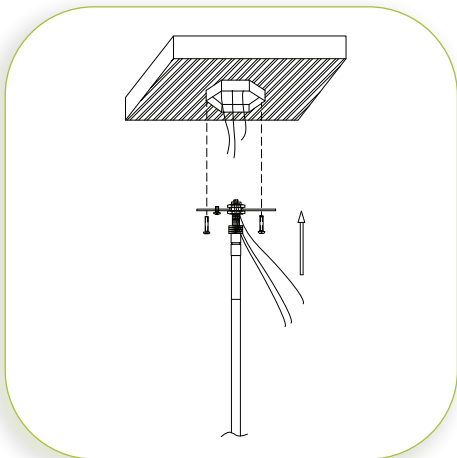


6

PREPARE WIRES

Pull all supply wires out of the junction box. You will need to access these wires after installation.

NOTE: Keep wires to the side of the mounting bar when installing fixture.

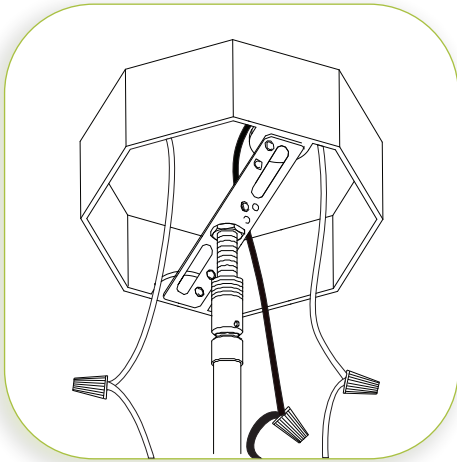


7

INSTALL FIXTURE

Holding fixture wires down below the mounting bar, lift assembled fixture up to the junction box. Secure to the ceiling by attaching the mounting bar to the junction box with the Phillips head screws provided.

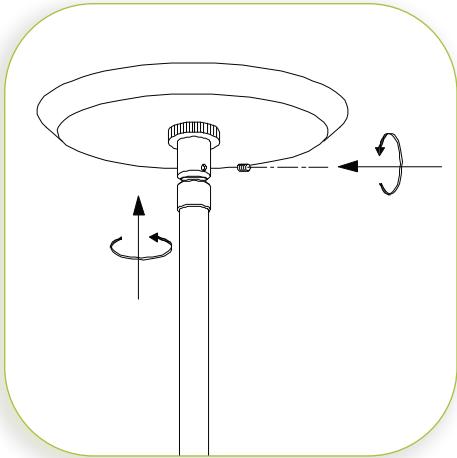
INSTALLATION INSTRUCTIONS



8

MAKE WIRE CONNECTIONS

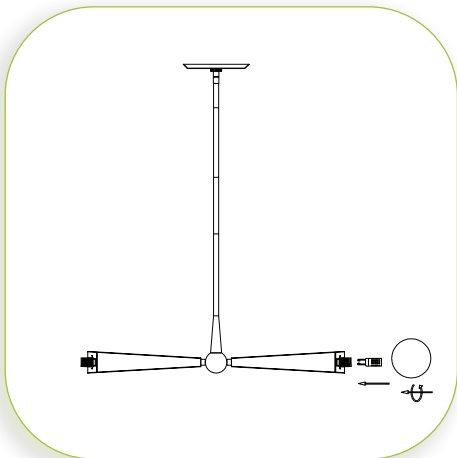
Connect BLACK supply wire to BLACK fixture wire, WHITE supply wire to WHITE fixture wire, and raw copper SUPPLY ground wire to raw copper or green FIXTURE ground wire, using the approved wire nuts, included.



9

SECURE CANOPY

Place all wire connectors and excess wire into the junction box. Lift canopy and knurled ring up to the ceiling and thread ring to secure in place. Some adjustments may be needed to assure enough threaded rod is exposed to allow for the canopy to fit tightly to the ceiling. Once the angle of the swivel and fixture is in the position you would like, use the set screw to lock the position. Hand tighten to secure.



10

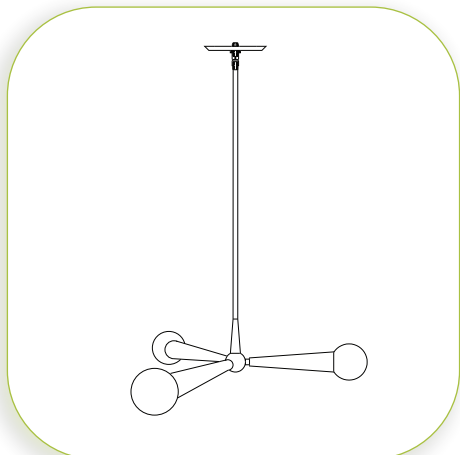
INSTALL THE BULBS AND GLASS

Insert LED bulbs into the sockets and install glass shades onto the socket by rotating clockwise.

MAXIMUM WATTAGE 40W MAX PER SOCKET.

CAUTION

Please ensure that the fitting is cool and switched off before replacing the bulb. DO NOT use bulbs that might exceed the maximum wattage, stated on caution label.



11

RESTORE THE ELECTRICITY AND CHECK THE OPERATION OF YOUR NEW FIXTURE

DIMMER NOTE

For the best lighting experience, we recommend using a dimmer. Not only does this allow you to create a great ambiance, it allows for energy savings and extends the life of the bulbs.