

INSTALLATION INSTRUCTIONS



IMPORTANT

Before installing your Lights.com fixture, please make sure that you carefully read through these instruction sheets. Consider having your fixture installed by a qualified licensed electrician.

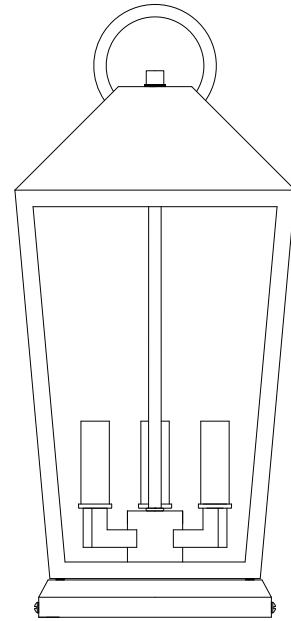
NOTE: The important safeguards and instructions that appear in this manual are not meant to cover all possible conditions and situations that may occur. It must be understood that common sense, caution and care, are factors that can't be built into any product. This approach must be used by the person(s) caring for and operating the fixture.

GENERAL INFORMATION

All electrical connections must be made in accordance with all ordinances, and Local and National Electrical Codes. These fixtures are intended for mounting to a standard 4" junction box. The box must be directly supported by the building structure and be ETL or U.L. Recognized.

STEP BY STEP INSTRUCTIONS

Before starting your installation, disconnect the power by turning off the circuit breaker or by removing the fuse at the fuse box. **Just turning the light off at the light switch is not sufficient to prevent electrical shock.**



COLLECTION

Cole

APPLICATION

Outdoor Pier Light

MODEL NO.

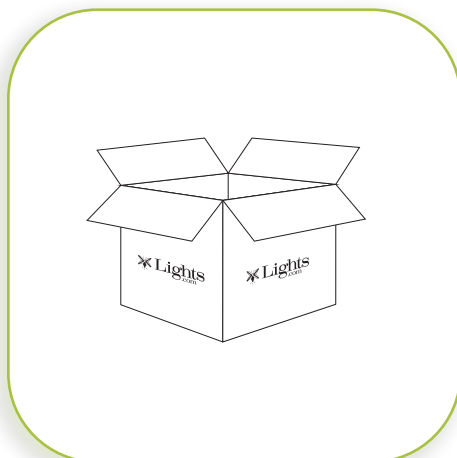
LC005458

WHAT WE PROVIDE

- Pier Light
- Mounting & Wiring Hardware
- 4 Glass Panels

WHAT YOU NEED

- Phillips head Screwdriver
- Wire Cutters
- Wiring Supplies as Specified by Electrical Code
- Electrical Tape
- 3 x 60W Max E12 Bulbs

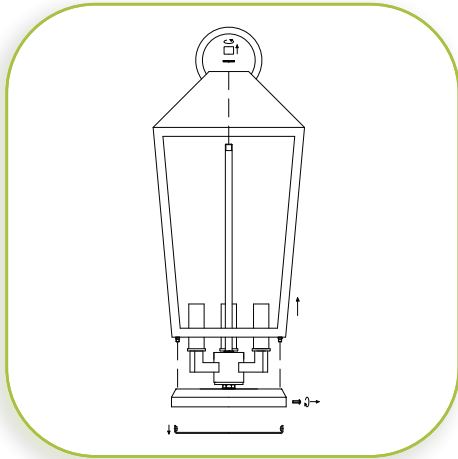


1

UNPACK YOUR FIXTURE

Carefully set aside all parts and pieces.

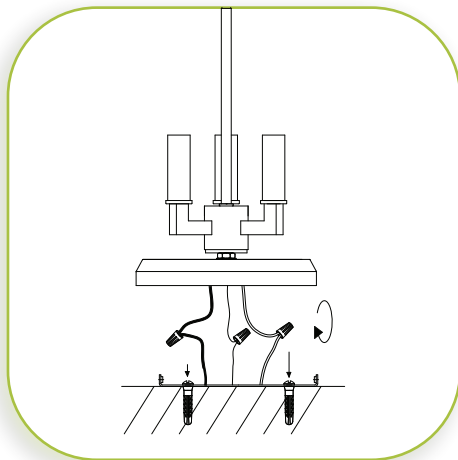
INSTALLATION INSTRUCTIONS



2

PREPARE FIXTURE

Loosen and remove the finial and rubber washer from the center bar, then gently lift the fixture cage off the base. Remove the mounting bracket from the base of the fixture.

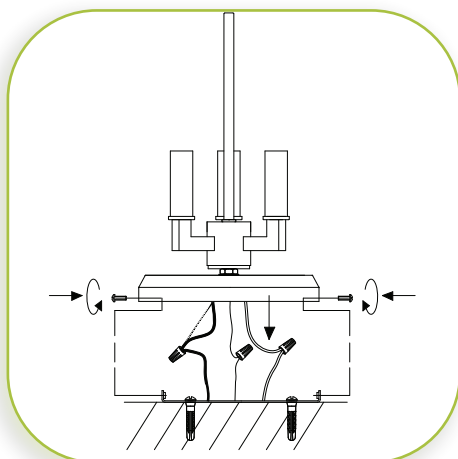


3

INSTALL THE MOUNTING BRACKET AND MAKE WIRE CONNECTIONS

Using the long slotted holes in the mounting bracket as a guide, mark the location where you want to install the wood screws. Install the mounting bracket to the pier top with the provided wood screws and anchors.

Connect the BLACK fixture wire to the BLACK supply wire and connect the WHITE fixture wire to the WHITE supply wire. Connect the fixture GROUND wire to the J-Box GROUND wire. Secure all connections with the supplied wire nuts and electrical tape (not supplied).

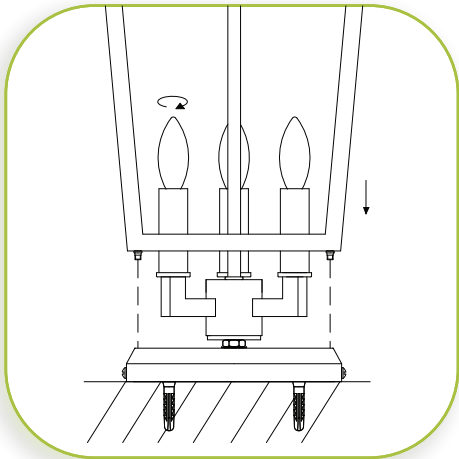


4

ATTACH FIXTURE TO BRACKET

Attach the fixture base to the mounting bracket with the supplied screws.

INSTALLATION INSTRUCTIONS

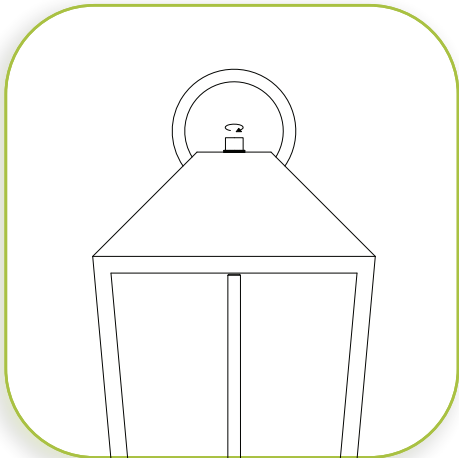


5

INSTALL BULBS AND CAGE

Install your E12 bulbs, then slide the fixture cage down onto the fixture base, positioning corner posts into open pilot holes.

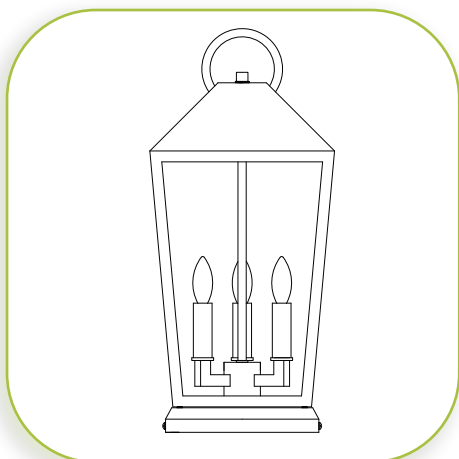
MAXIMUM WATTAGE 60W. DO NOT EXCEED THE WATTAGE AS STATED ON THE WARNING LABEL.



6

SECURE FIXTURE CAGE

Secure the fixture cage in place by threading the top finial cap down onto the center rod.



7

RESTORE THE ELECTRICITY AND CHECK THE OPERATION OF YOUR NEW FIXTURE

CAUTION

Please ensure that the fitting is cool and switched off before replacing the bulb. DO NOT use bulbs that might exceed the maximum wattage, stated on caution label.

DIMMER NOTE

For the best lighting experience, we recommend using a dimmer. Not only does this allow you to create a great ambiance, it allows for energy savings and extends the life of the bulbs.