

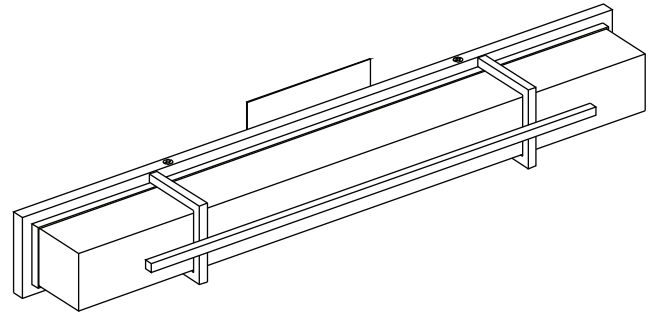
INSTALLATION INSTRUCTIONS



IMPORTANT

Before installing your Lights.com fixture, please make sure that you carefully read through these instruction sheets. Consider having your fixture installed by a qualified licensed electrician.

NOTE: The important safeguards and instructions that appear in this manual are not meant to cover all possible conditions and situations that may occur. It must be understood that common sense, caution and care, are factors that can't be built into any product. This approach must be used by the person(s) caring for and operating the fixture.



COLLECTION

Wright

APPLICATION

LED Vanity Light

MODEL NO.

LC005459

GENERAL INFORMATION

All electrical connections must be made in accordance with all ordinances, and local and national electrical codes. These fixtures are intended for mounting to a standard 4" junction box. The box must be directly supported by the building structure and be ETL or U.L. Recognized.

STEP BY STEP INSTRUCTIONS

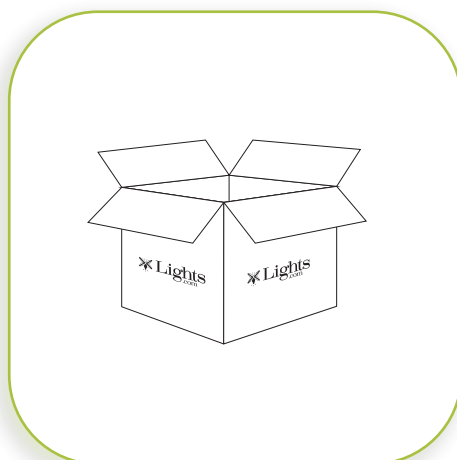
Before starting your installation disconnect the power by turning off the circuit breaker or by removing the fuse at the fuse box. **Just turning the light off at the light switch is not sufficient to prevent electrical shock.**

WHAT WE PROVIDE

- Vanity Light with Intergrated LED Module
- Mounting & Wiring Hardware
- Glass Shade
- Optional Backplate Cover

WHAT YOU NEED

- Phillips Screwdriver
- Flathead Screwdriver
- Wire Cutters
- Level
- Pencil
- Wiring Supplies as Specified by Electrical Code



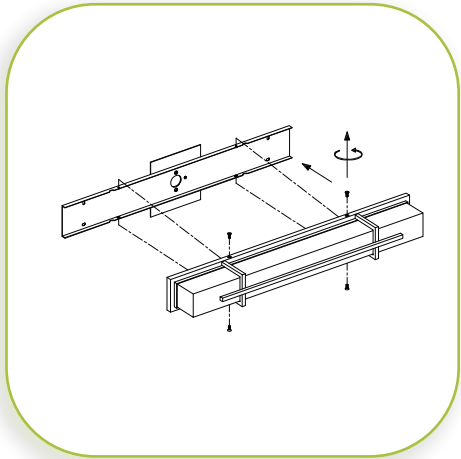
1

UNPACK YOUR FIXTURE

Carefully set aside all parts and pieces.

INSTALLATION WITH JUNCTION BOX

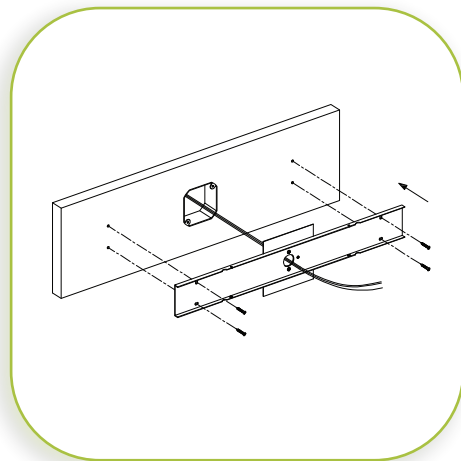
Please follow these steps for installation with squared junction box cover



2

REMOVE MOUNTING BAR FROM FIXTURE

Remove mounting bar from fixture by removing screws on the top and bottom of the fixture.

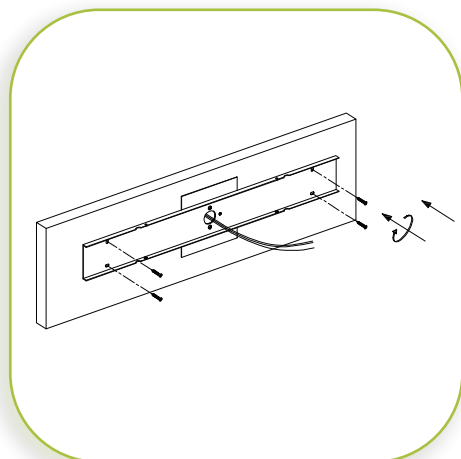


3

LEVEL AND INSTALL WALL ANCHORS

NOTE: This fixture can be mounted horizontally or vertically.

Make sure square junction box cover is secured tightly to the mounting bar. Align the mounting bar to the junction box and straighten mounting bar to be sure it is level, then mark the mounting points on the wall with pencil through the outer holes in the mounting bar. Install wall anchors at marked locations in the wall.

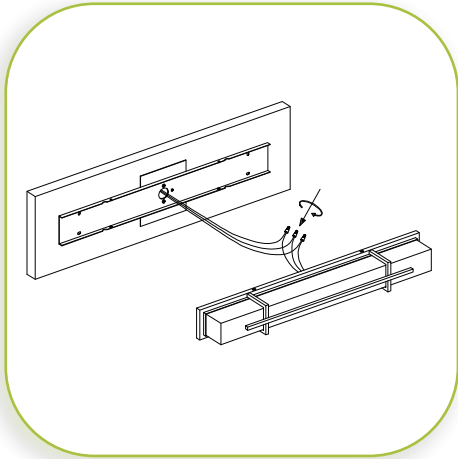


4

INSTALL MOUNTING BAR WITH COVER

Pull the supply wires out from the junction box and pull through the mounting bar and junction box cover, in preparation for wiring. Install the mounting bar and junction box cover to the wall with the screws provided into the wall anchors installed in Step 3. Make sure it is securely installed, and the supply wires are exposed through the mounting bar.

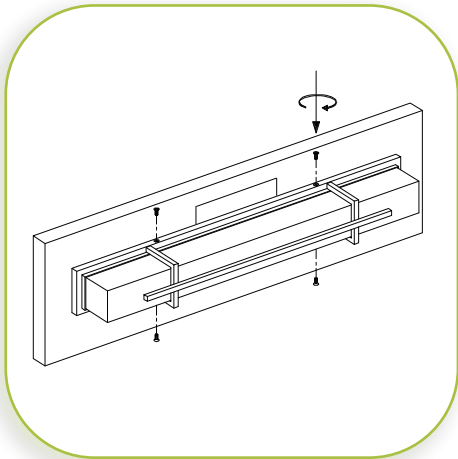
INSTALLATION INSTRUCTIONS WITH JUNCTION BOX



5

CONNECT WIRES

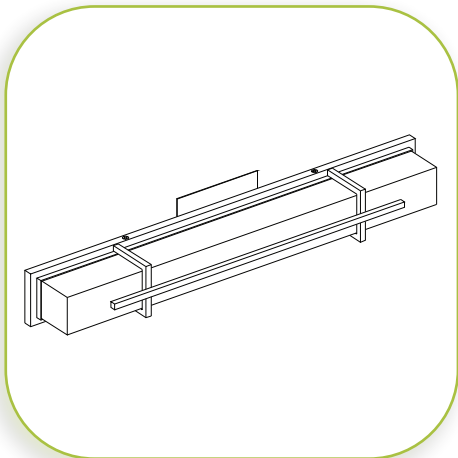
Connect BLACK supply wire to BLACK fixture wire, WHITE supply wire to WHITE fixture wire, and GROUND wire to COPPER GROUND supply wire. All wire connections should fit freely between the mounting bar and light fixture as you lift the light fixture up and on to the mounting bar.



6

SECURE FIXTURE TO MOUNTING BAR

Lift the fixture up to the mounting bar and secure in place with the four screws - two on the top and two on the bottom of the light fixture.



7

RESTORE THE ELECTRICITY AND CHECK THE OPERATION OF YOUR NEW FIXTURE

NOTE: This is a light emitting diode (LED) fixture. The LED board is fixed to the inside of the vanity light. This is your light source. The fixture is rated to last upwards of 50,000 hours.

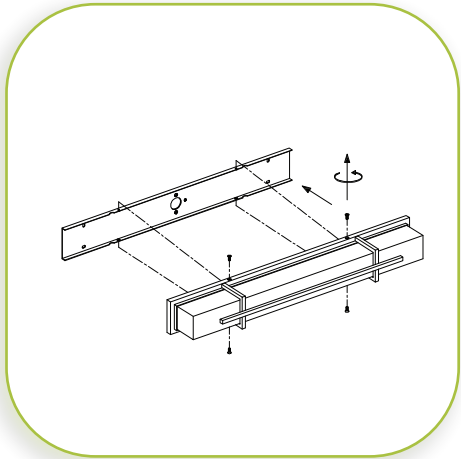
DIMMER NOTE

For the best lighting experience, we recommend using a dimmer. Not only does this allow you to create a great ambiance, it allows for energy savings and extends the life of the LEDs.

INSTALLATION INSTRUCTIONS WITHOUT JUNCTION BOX

INSTALLATION WITHOUT JUNCTION BOX

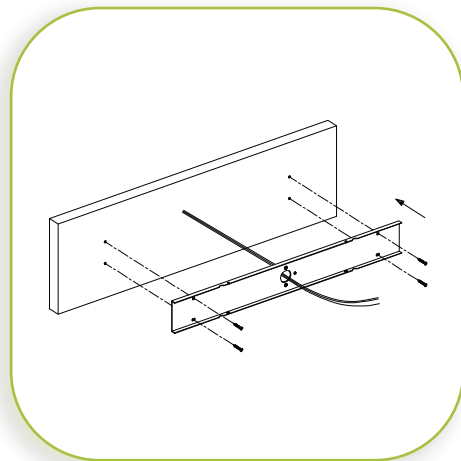
Please follow these steps for installation without squared junction box cover



2

REMOVE MOUNTING BAR FROM FIXTURE

Remove mounting bar from fixture by removing the screws on the top and bottom of the fixture. Remove square junction box cover from mounting bar by removing the two screws holding it to the mounting bar.

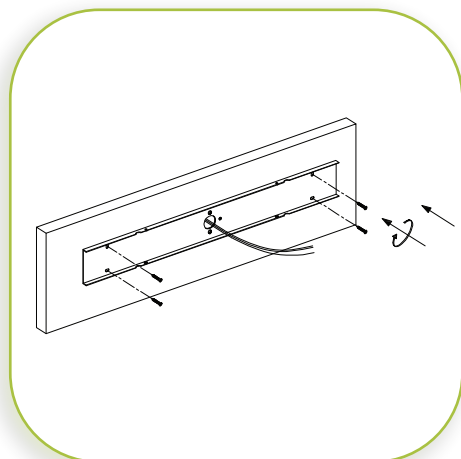


3

LEVEL AND INSTALL WALL ANCHORS

NOTE: This fixture can be mounted horizontally or vertically.

Align the mounting bar in desired location while bringing supply wires through center hole in the mounting bar. Straighten the mounting bar so it is level and at the right height to cover the location of the supply wire. Mark the mounting points on the wall with a pencil through the outer holes in the mounting bar. Install wall anchors at marked locations in the wall.

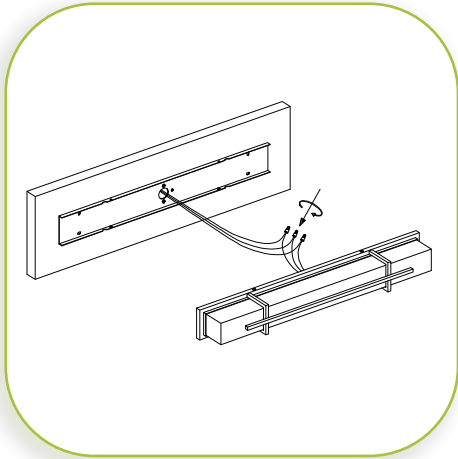


4

INSTALL MOUNTING BAR

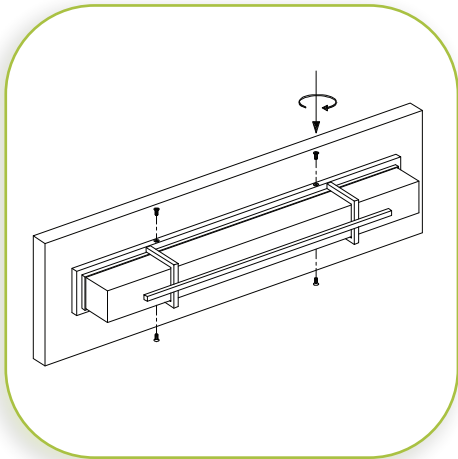
Pull the supply wires out from the junction box and through the mounting bar in preparation for wiring. Install the mounting bar to the wall with the screws provided, into the wall anchors installed in Step 3. Make sure it is securely installed, and the supply wires are exposed through the mounting plate.

INSTALLATION INSTRUCTIONS WITHOUT JUNCTION BOX



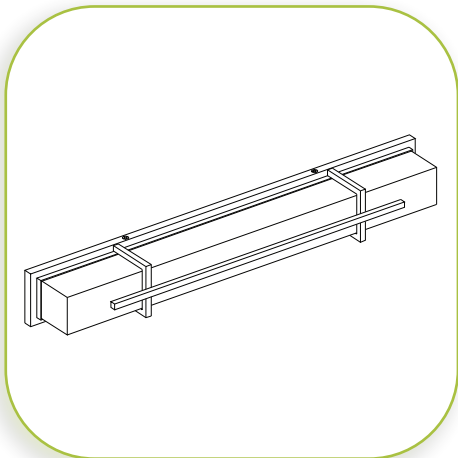
CONNECT WIRES

Connect BLACK supply wire to BLACK fixture wire, WHITE supply wire to WHITE fixture wire, and GROUND wire to COPPER GROUND supply wire. All wire connections should fit freely between the mounting bar and light fixture as you lift the light fixture up and on to the mounting bar.



SECURE FIXTURE TO MOUNTING BAR

Lift the fixture up to the mounting bar and secure in place with the four screws - two on the top and two on the bottom of the light fixture.



RESTORE THE ELECTRICITY AND CHECK THE OPERATION OF YOUR NEW FIXTURE

NOTE: This is a light emitting diode (LED) fixture. The LED board is fixed to the inside of the vanity light. This is your light source. The fixture is rated to last upwards of 50,000 hours.

DIMMER NOTE

For the best lighting experience, we recommend using a dimmer. Not only does this allow you to create a great ambiance, it allows for energy savings and extends the life of the LEDs.