

INSTALLATION INSTRUCTIONS



IMPORTANT

Before installing your Lights.com fixture, please make sure that you carefully read through these instruction sheets. Consider having your fixture installed by a qualified licensed electrician.

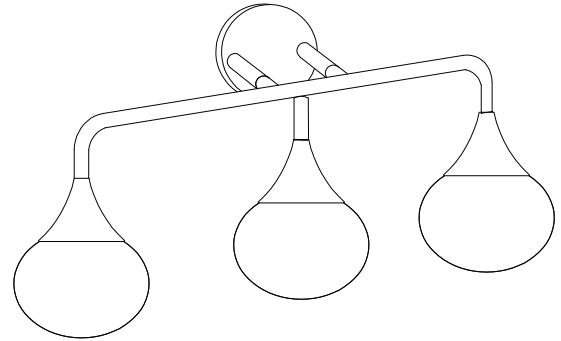
NOTE: The important safeguards and instructions that appear in this manual are not meant to cover all possible conditions and situations that may occur. It must be understood that common sense, caution and care, are factors that can't be built into any product. This approach must be used by the person(s) caring for and operating the fixture.

GENERAL INFORMATION

All electrical connections must be made in accordance with all ordinances, and Local and National Electrical Codes. These fixtures are intended for mounting to a standard 4" junction box. The box must be directly supported by the building structure and be ETL or U.L. Recognized.

STEP BY STEP INSTRUCTIONS

Before starting your installation, disconnect the power by turning off the circuit breaker or by removing the fuse at the fuse box. **Just turning the light off at the light switch is not sufficient to prevent electrical shock.**



COLLECTION

Talia

APPLICATION

3 Light LED Vanity

MODEL NO.

LC005466

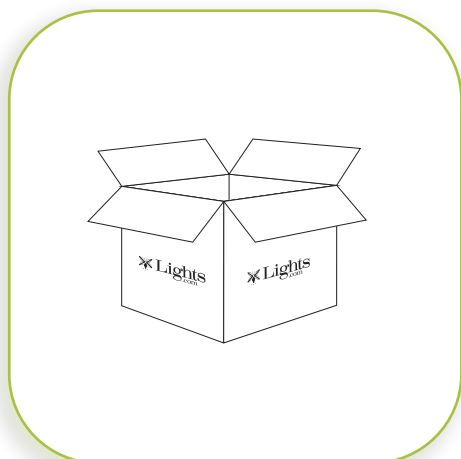
LC005468

WHAT WE PROVIDE

- Vanity Light
- Mounting & Wiring Hardware
- 3 x Glass Shades
- 3 x G9 LED Bulbs

WHAT YOU NEED

- Phillips head Screwdriver
- Wire Cutters
- Wiring Supplies as Specified by Electrical Code

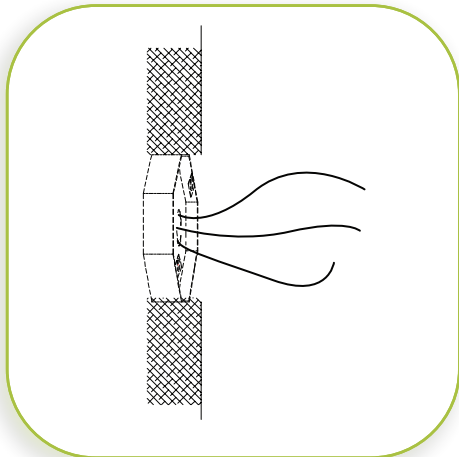


1

UNPACK YOUR FIXTURE

Carefully set aside all parts and pieces.

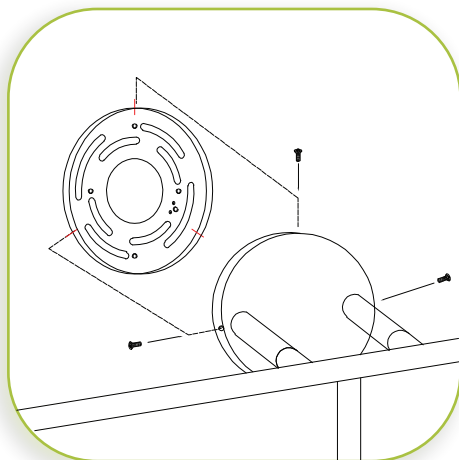
INSTALLATION INSTRUCTIONS



2

PREPARE JUNCTION BOX

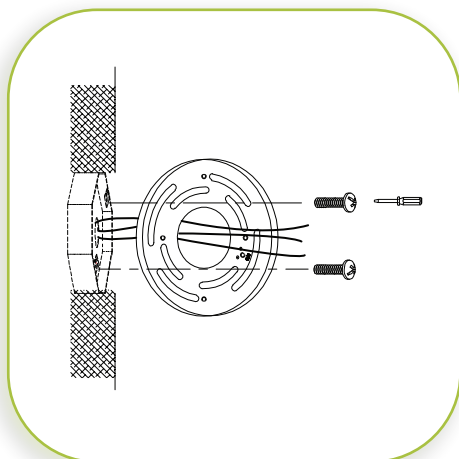
Pull supply wires out of the existing junction box and prepare for installation.



3

PREPARE FIXTURE FOR INSTALLATION

Remove mounting plate from back plate by loosening the three small screws on the outside of the back plate and set aside for Step 6.



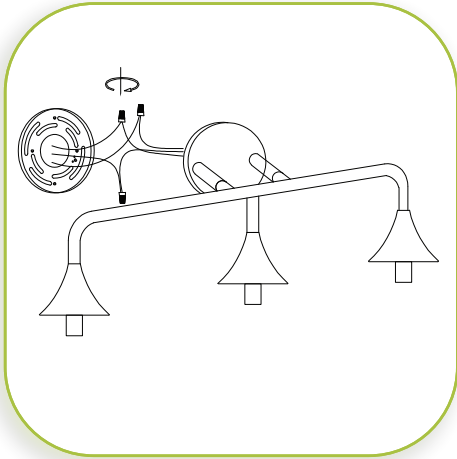
4

CONNECT MOUNTING PLATE TO JUNCTION BOX

Slide mounting plate over the supply wires and attach to the junction box with two Phillips head screws. Hand tighten to secure.

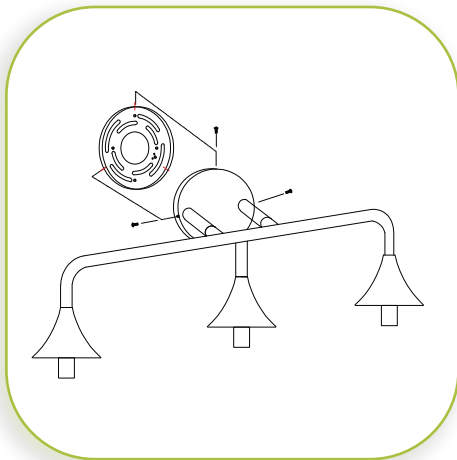
Please note this fixture can be mounted facing up or down.

Determine before installing mounting plate.



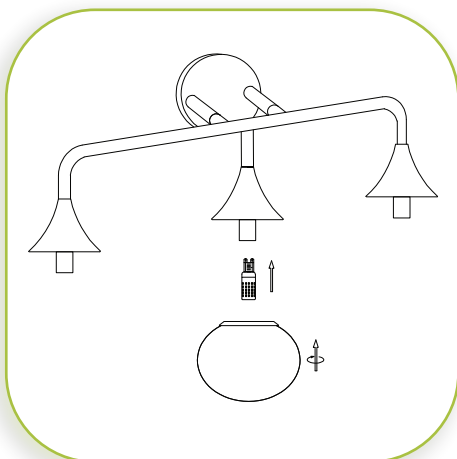
CONNECT WIRES

Lift the fixture up to the mounting plate and make wire connections using approved wire connectors (supplied). Attach BLACK Fixture wire to BLACK supply wire, the WHITE fixture wire to WHITE Supply wire, and the COPPER wire to the GROUND supply wire. When connections are made push all wire connectors back through the mounting plate and into the junction box.



INSTALL FIXTURE

Lift the fixture backplate up and onto the mounting plate and secure in place with the three small screws on the side of the canopy (removed in Step 3). Hand tighten to secure.



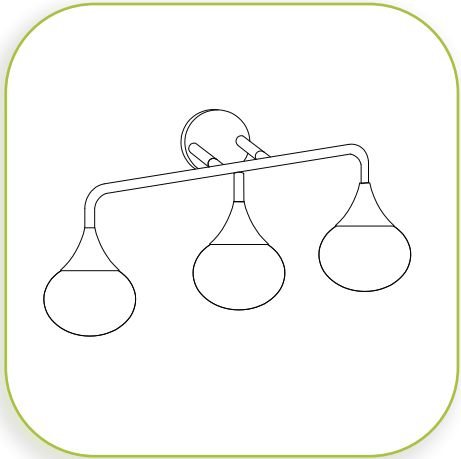
INSTALL BULBS & SHADES

Install the included G9 LED light bulbs, then install the glass shades onto the sockets by turning clockwise. Do not over tighten. **MAXIMUM WATTAGE 40W PER SOCKET.**

CAUTION

Please ensure that the fitting is cool and switched off before replacing the bulb. DO NOT use bulbs that might exceed the maximum wattage, stated on caution label.

INSTALLATION INSTRUCTIONS



8

RESTORE THE ELECTRICITY AND CHECK THE OPERATION OF YOUR NEW FIXTURE

DIMMER NOTE

For the best lighting experience, we recommend using a dimmer. Not only does this allow you to create a great ambiance, it allows for energy savings and extends the life of the bulbs.