

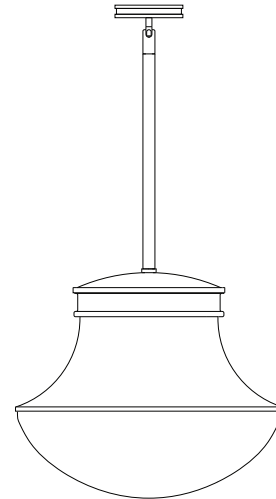
# INSTALLATION INSTRUCTIONS



## IMPORTANT

Before installing your Lights.com fixture, please make sure that you carefully read through these instruction sheets. Consider having your fixture installed by a qualified licensed electrician.

**NOTE:** The important safeguards and instructions that appear in this manual are not meant to cover all possible conditions and situations that may occur. It must be understood that common sense, caution and care, are factors that can't be built into any product. This approach must be used by the person(s) caring for and operating the fixture.



## COLLECTION

Jayden

## APPLICATION

Pendant

## MODEL NO.

LC005469

LC005470

## GENERAL INFORMATION

All electrical connections must be made in accordance with all ordinances, and Local and National Electrical Codes. These fixtures are intended for mounting to a standard 4" junction box. The box must be directly supported by the building structure and be ETL or U.L. Recognized.

## STEP BY STEP INSTRUCTIONS

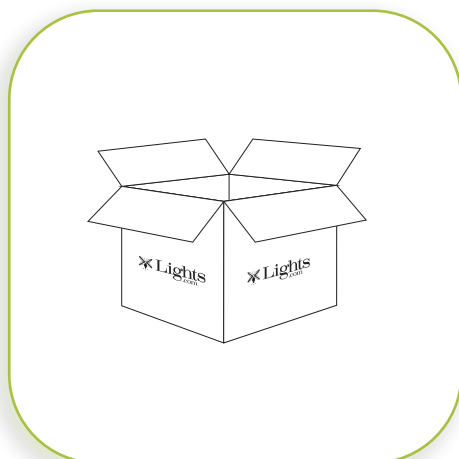
Before starting your installation, disconnect the power by turning off the circuit breaker or by removing the fuse at the fuse box. **Just turning the light off at the light switch is not sufficient to prevent electrical shock.**

## WHAT WE PROVIDE

- Mounting & Wiring Hardware
- 1 x Glass Shade
- Canopy Kit
- Fixture
- One x 6", Two x 12", and One x 18" Rods

## WHAT YOU NEED

- Phillips head Screwdriver
- Wire Cutters
- Wiring Supplies as Specified by Electrical Code
- 1 x 60W E26 Bulb

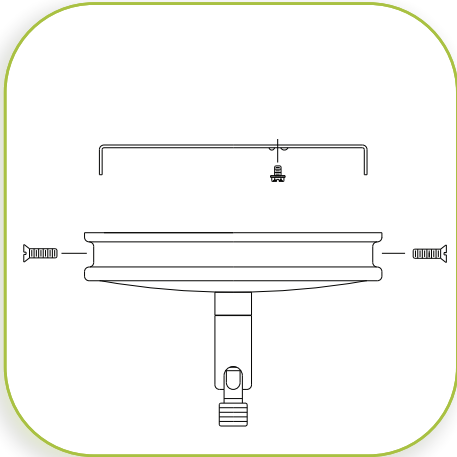


# 1

## UNPACK YOUR FIXTURE

Carefully set aside all parts and pieces.

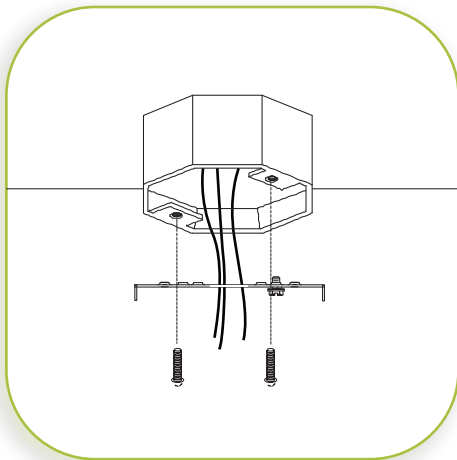
## INSTALLATION INSTRUCTIONS



# 2

### PREPARE FIXTURE AND MOUNTING BAR

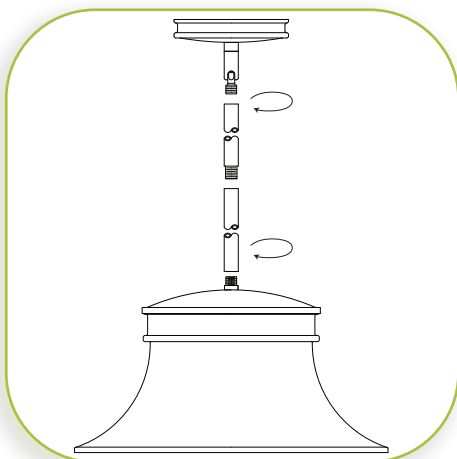
Remove the mounting bar from the canopy by unscrewing the side screws from the canopy.



# 3

### INSTALL MOUNTING BAR

If there is an existing fixture, remove it. Expose the supply wires from the junction box. Insert supply wires through the mounting bar. Secure mounting bar using two Phillips head screws provided. Hand tighten to secure.

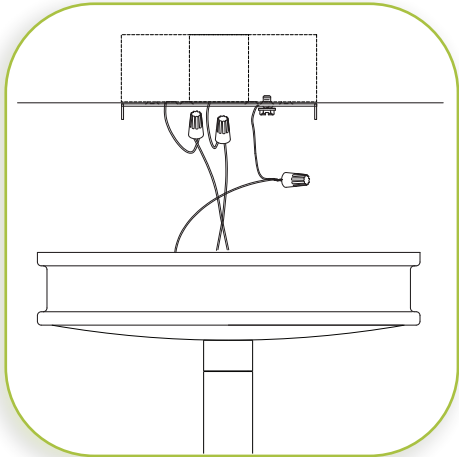


# 4

### DETERMINE HEIGHT

Measure fixture to desired height. Please note this must be done in 6" increments. Once determined, connect the rods one by one to the top of the pendant. Once rods are connected, thread included sloped ceiling adapter and canopy onto the top of the rods. Feed the fixture wires up through the connected rods, sloped ceiling adapter, and canopy. Cut fixture wires leaving at least 12-18" above, for minor adjustments.

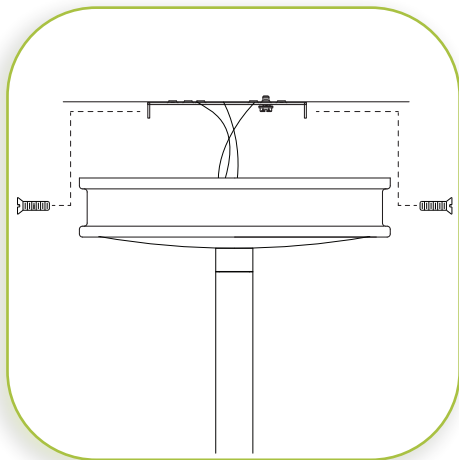
## INSTALLATION INSTRUCTIONS



# 5

### MAKE WIRE CONNECTIONS

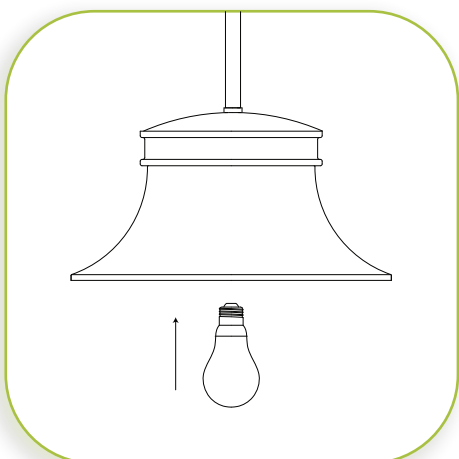
Connect BLACK fixture wire to the BLACK supply wire and WHITE fixture wire to the WHITE supply wire. Connect the fixture GROUND wire to the junction box GROUND wire. Secure all connections with the supplied wire nuts, secure all wire connections. Tuck all wires carefully into the junction box.



# 6

### INSTALL FIXTURE TO THE MOUNTING PLATE

Position canopy over the mounting bar. Align the holes with the side of canopy with and secure with the supplied screws.



# 7

### INSTALL THE BULB

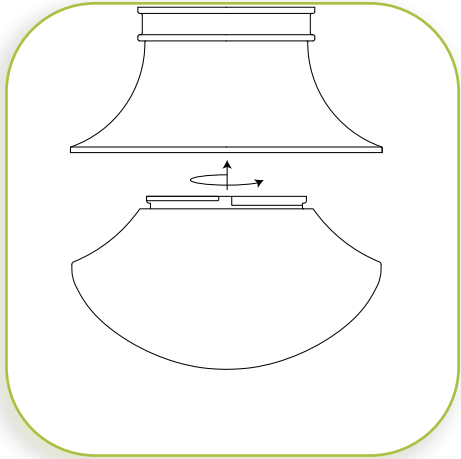
Install the E26 bulb.

**MAXIMUM WATTAGE 60W PER SOCKET.**



## INSTALLATION INSTRUCTIONS

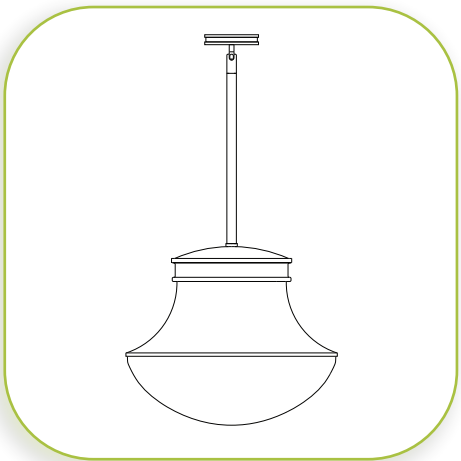
---



8

### ATTACH GLASS SHADE

Line up the collar on the glass shade with the 3 protruding pins outside the socket. Push up and turn clockwise to secure.



9

### RESTORE THE ELECTRICITY AND CHECK THE OPERATION OF YOUR NEW FIXTURE

For the best lighting experience, we recommend using a dimmer. Not only does this allow you to create a great ambiance, it allows for energy savings and extends the life of the bulbs.

### DIMMER NOTE