

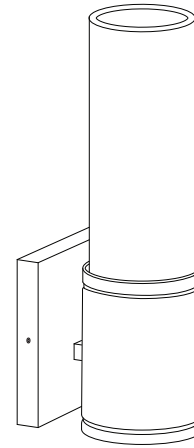
INSTALLATION INSTRUCTIONS



IMPORTANT

Before installing your Lights.com fixture, please make sure that you carefully read through these instruction sheets. Consider having your fixture installed by a qualified licensed electrician.

NOTE: The important safeguards and instructions that appear in this manual are not meant to cover all possible conditions and situations that may occur. It must be understood that common sense, caution and care, are factors that can't be built into any product. This approach must be used by the person(s) caring for and operating the fixture.



COLLECTION

Lea

APPLICATION

Wall Sconce

MODEL NO.

LC005478

LC005479

GENERAL INFORMATION

All electrical connections must be made in accordance with all ordinances, and Local and National Electrical Codes. These fixtures are intended for mounting to a standard 4" junction box. The box must be directly supported by the building structure and be ETL or U.L. Recognized.

STEP BY STEP INSTRUCTIONS

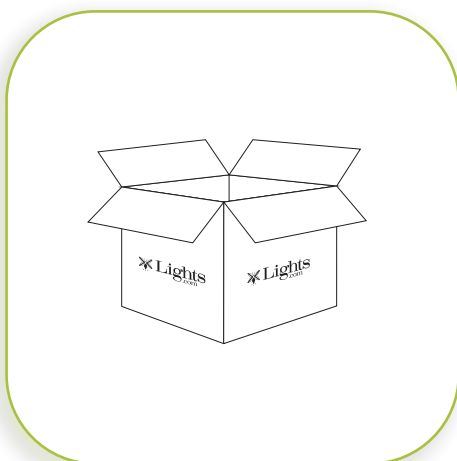
Before starting your installation, disconnect the power by turning off the circuit breaker or by removing the fuse at the fuse box. **Just turning the light off at the light switch is not sufficient to prevent electrical shock.**

WHAT WE PROVIDE

- Wall Sconce
- 1 Glass Shade
- Mounting & Wiring Hardware

WHAT YOU NEED

- Phillips head Screwdriver
- Wire Cutters
- Wiring Supplies as Specified by Electrical Code
- 1 x 60W E26 Bulb

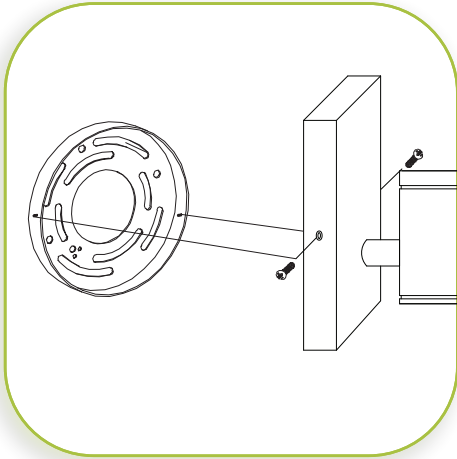


1

UNPACK YOUR FIXTURE

Carefully set aside all parts and pieces.

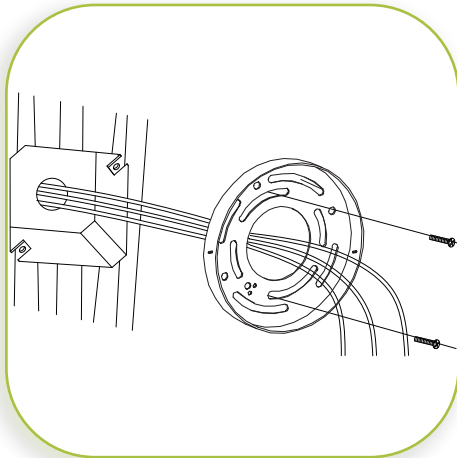
INSTALLATION INSTRUCTIONS



2

PREPARE FIXTURE AND MOUNTING PLATE

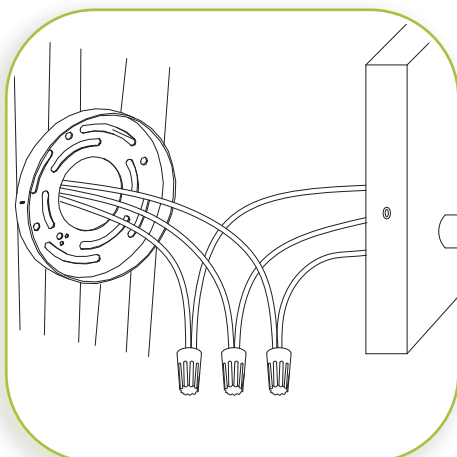
Remove the mounting plate from the backplate by unscrewing the screws on the sides of the backplate. Set aside the screws for Step 5.



3

INSTALL THE MOUNTING PLATE

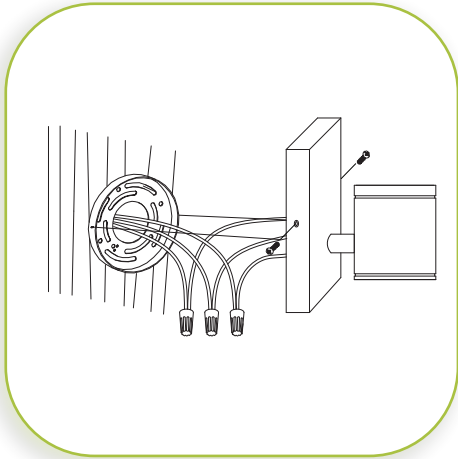
If there is an existing fixture, remove it. Expose the supply wires from the junction box and insert the wires through the center of the mounting plate. Attach the mounting plate to the junction box using the Phillips head screws provided, making sure the plate is straight and level.



4

MAKE WIRE CONNECTIONS

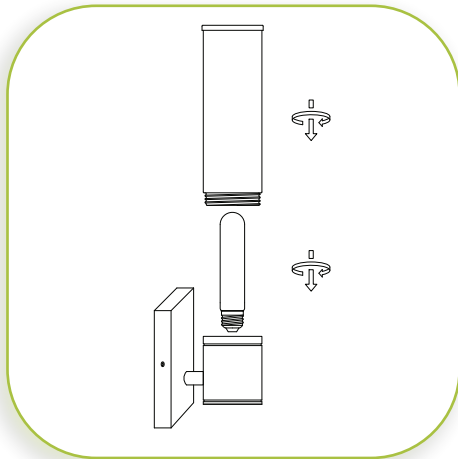
Connect the BLACK fixture wire to the BLACK supply wire and the WHITE fixture wire to the WHITE supply wire. Connect the fixture Ground wire to the junction box ground wire or wrap around one of the protruding screws on the mounting plate. Secure all connections with the supplied wire nuts.



5

CONNECT FIXTURE TO THE MOUNTING PLATE

Tuck the connected wires into the junction box. Align the holes on the sides of the backplate with the two holes on the sides of the mounting plate. Secure in place with the two supplied screws. Hand tighten to secure.

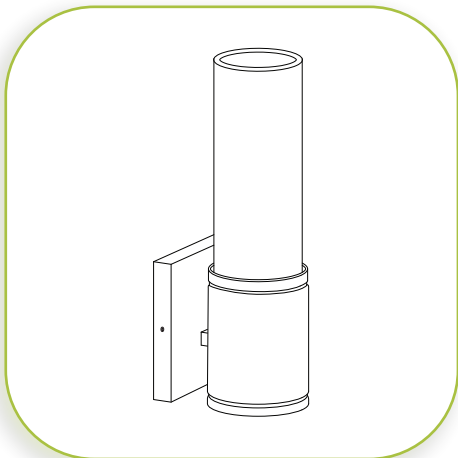


6

INSTALL SHADE AND BULB

Install the light bulb. Install the glass shade by threading onto the fixture. Do not over tighten.

MAXIMUM WATTAGE IS 60W.



7

RESTORE THE ELECTRICITY AND CHECK THE OPERATION OF YOUR NEW FIXTURE

DIMMER NOTE

For the best lighting experience, we recommend using a dimmer. Not only does this allow you to create a great ambiance, it allows for energy savings and extends the life of the bulbs.