

# INSTALLATION INSTRUCTIONS



## IMPORTANT

Before installing your Lights.com fixture, please make sure that you carefully read through these instruction sheets. Consider having your fixture installed by a qualified licensed electrician.

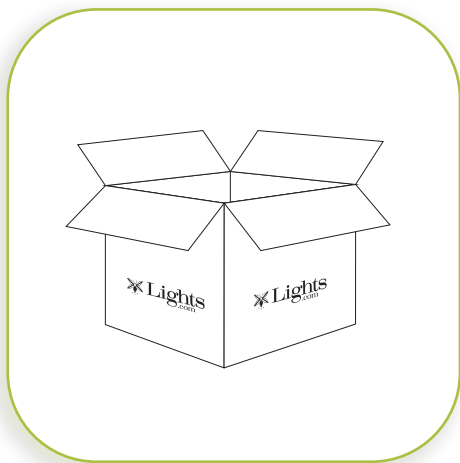
**NOTE:** The important safeguards and instructions that appear in this manual are not meant to cover all possible conditions and situations that may occur. It must be understood that common sense, caution and care, are factors that can't be built into any product. This approach must be used by the person(s) caring for and operating the fixture.

## GENERAL INFORMATION

All electrical connections must be made in accordance with all ordinances, and Local and National Electrical Codes. These fixtures are intended for mounting to a standard 4" junction box. The box must be directly supported by the building structure and be ETL or U.L. Recognized.

## STEP BY STEP INSTRUCTIONS

Before starting your installation, disconnect the power by turning off the circuit breaker or by removing the fuse at the fuse box. **Just turning the light off at the light switch is not sufficient to prevent electrical shock.**



# 1

## UNPACK YOUR FIXTURE

Carefully set aside all parts and pieces.



## COLLECTION

Austin

## APPLICATION

Outdoor Wall Sconce

## MODEL NO.

LC005494

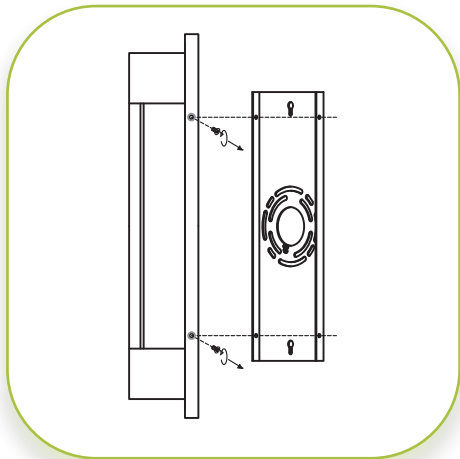
## WHAT WE PROVIDE

- Wall Light with Integrated LED
- Mounting & Wiring Hardware

## WHAT YOU NEED

- Phillips head Screwdriver
- Wire Cutters
- Wiring Supplies as Specified by Electrical Code

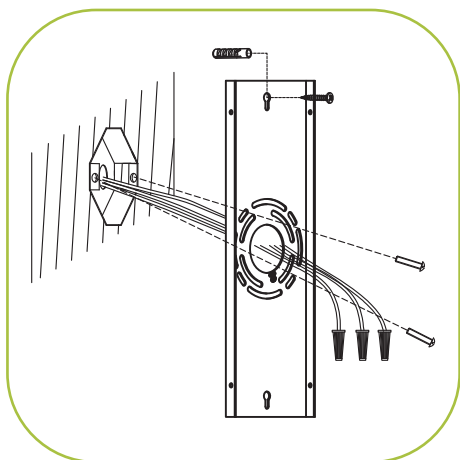
## INSTALLATION INSTRUCTIONS



# 2

### PREPARE MOUNTING PLATE

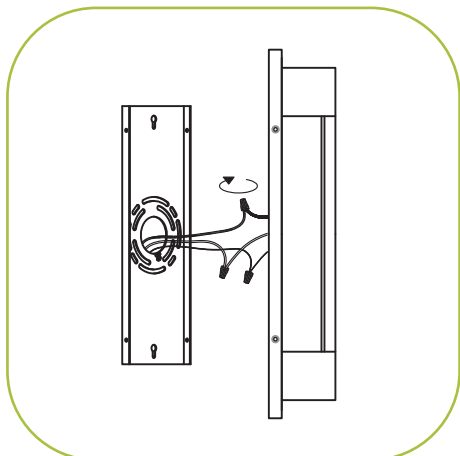
Remove the mounting plate from the backplate by unscrewing the screws from the backplate.



# 3

### INSTALL THE MOUNTING PLATE

If there is an existing fixture, remove it. Expose the supply wires from the J-Box. Insert supply wires through the mounting plate. Secure the mounting plate using the Phillips head screws provided. Tighten to secure.

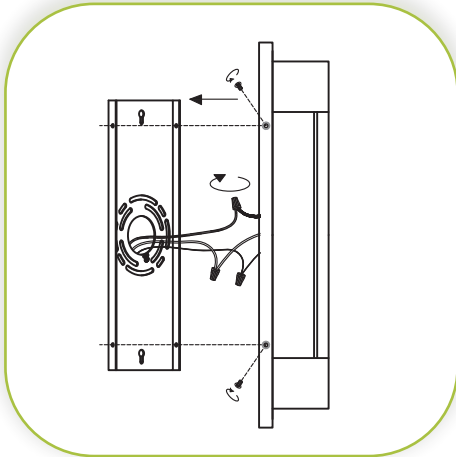


# 4

### MAKE WIRE CONNECTIONS

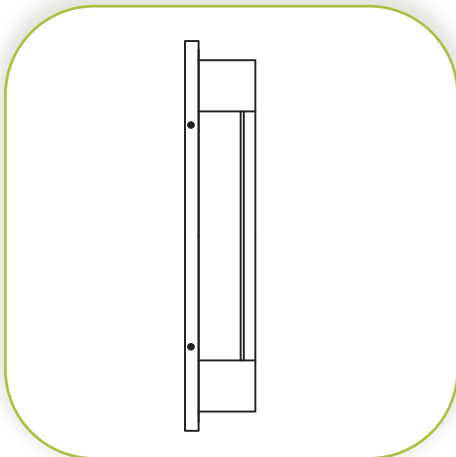
Connect BLACK fixture wire to the BLACK supply wire and WHITE fixture wire to the WHITE supply wire. Connect the fixture GROUND wire to the J-Box GROUND wire or wrap around one of the protruding screws on the mounting plate. Secure all connections with the supplied wire nuts .

## INSTALLATION INSTRUCTIONS



### CONNECT FIXTURE TO THE MOUNTING PLATE

Position the fixture body over the mounting plate. Secure the fixture body to the mounting plate with the two screws on the sides.



### RESTORE THE ELECTRICITY AND CHECK THE OPERATION OF YOUR NEW FIXTURE

NOTE: This is a light emitting diode (LED) fixture. The LED board is fixed to the inside of the vanity light. This is your light source. The fixture is rated to last upwards of 50,000 hours.

### DIMMER NOTE

For the best lighting experience, we recommend using a dimmer. Not only does this allow you to create a great ambiance, it allows for energy savings and extends the life of the LEDs.