

INSTALLATION INSTRUCTIONS



IMPORTANT

Before installing your Lights.com fixture, please make sure that you carefully read through these instruction sheets. Consider having your fixture installed by a qualified licensed electrician.

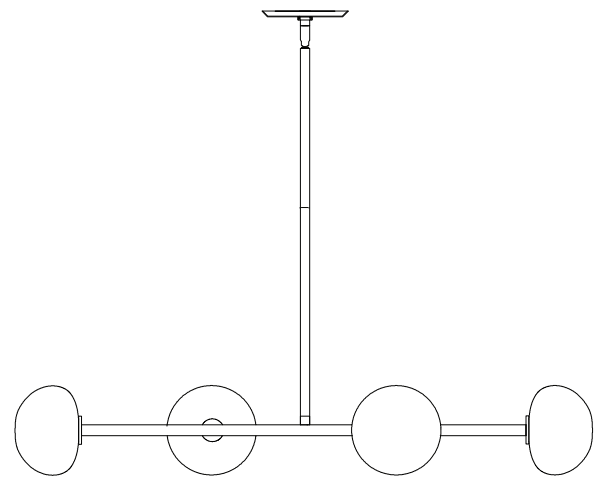
NOTE: The important safeguards and instructions that appear in this manual are not meant to cover all possible conditions and situations that may occur. It must be understood that common sense, caution and care, are factors that can't be built into any product. This approach must be used by the person(s) caring for and operating the fixture.

GENERAL INFORMATION

All electrical connections must be made in accordance with all ordinances, and local and national electrical codes. These fixtures are intended for mounting to a standard 4" junction box. The box must be directly supported by the building structure and be ETL or U.L. Recognized.

STEP BY STEP INSTRUCTIONS

Before starting your installation disconnect the power by turning off the circuit breaker or by removing the fuse at the fuse box. **Just turning the light off at the light switch is not sufficient to prevent electrical shock.**



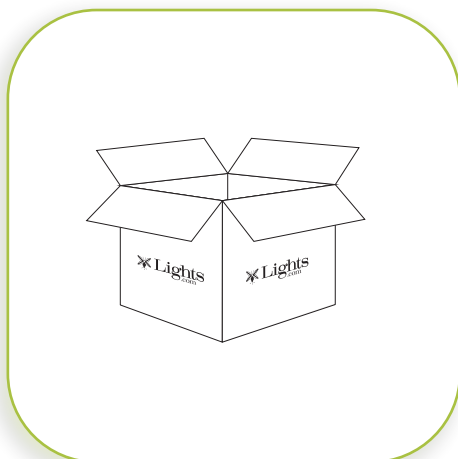
COLLECTION	APPLICATION	MODEL NO.
Vince	4-Light Linear LED Pendant	LC005498
		LC005499

WHAT WE PROVIDE

- Mounting & Wiring Hardware
- 4 x Glass Shades
- Canopy Kit
- Linear Fixture Frame and Wiring
- 4 x G9 Bulbs
- One 6", Two 12", and One 18" Rods

WHAT YOU NEED

- Phillips Screwdriver
- Wire Cutters
- Wiring Supplies as Specified by Electrical Code

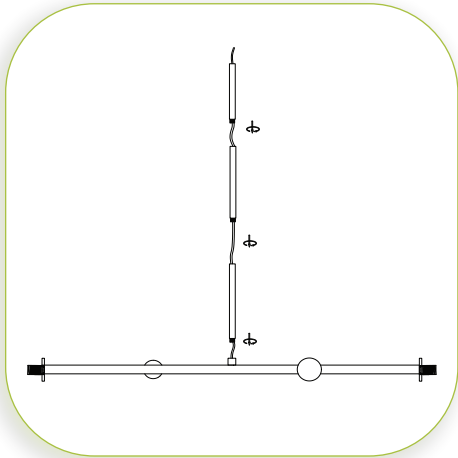


1

UNPACK YOUR FIXTURE

Carefully set aside all parts and pieces.

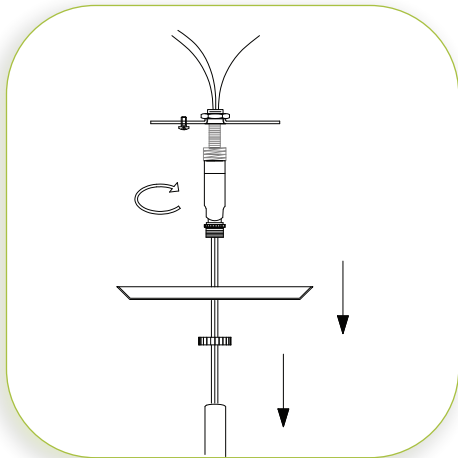
INSTALLATION INSTRUCTIONS



2

DETERMINE HEIGHT

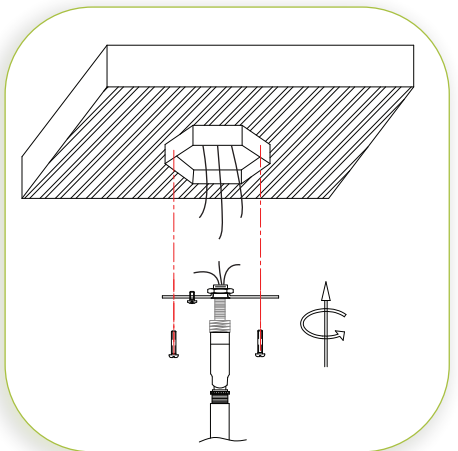
Measure fixture to your desired height. Please note this must be done in 6" increments. Once determined, thread desired number of rods down onto the fixture body, while threading the wires up and through each stem, one at a time. Trim wire to leave an additional 12-18" of excess wire for adjusting.



3

PREPARE CANOPY AND ATTACH MOUNTING BAR

Carefully slide the coupler ring, then the canopy, down over the assembled rods. Feed the wires up through the swivel attachment and the mounting bar. Attach the swivel to the rods by threading down clock-wise.

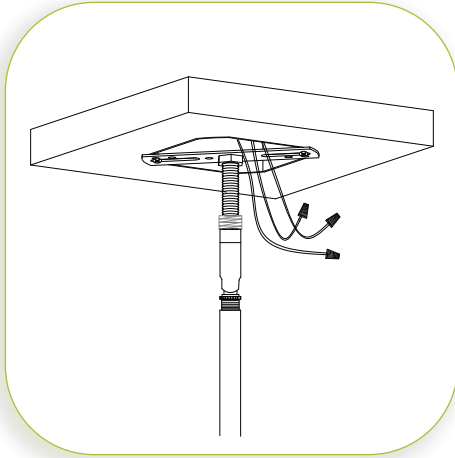


4

INSTALL FIXTURE

Pull all supply wires out of the junction box. Lift the assembled fixture up to the junction box. Secure to the ceiling by attaching the mounting bar to the junction box with the Phillips head screws provided.

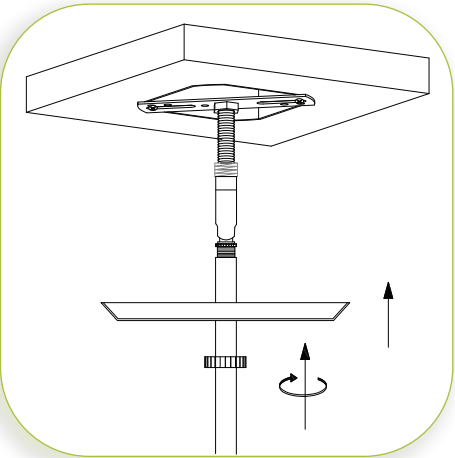
INSTALLATION INSTRUCTIONS



5

MAKE WIRE CONNECTIONS

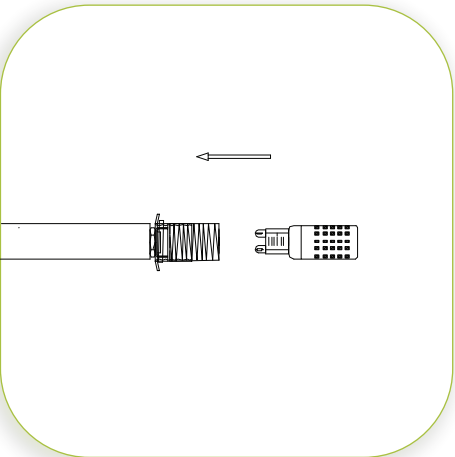
Connect BLACK fixture wire to the BLACK supply wire and WHITE fixture wire to the WHITE supply wire. Connect the fixture GROUND wire to the junction box GROUND wire. Secure all connections with the supplied wire nuts. Tuck all wires carefully into the junction box.



6

SECURE CANOPY

Lift canopy and knurled ring up to the ceiling and thread ring to secure in place. Some adjustments may be needed to assure enough threaded rod is exposed to allow for the canopy to fit tightly to the ceiling. Hand tighten to secure.



7

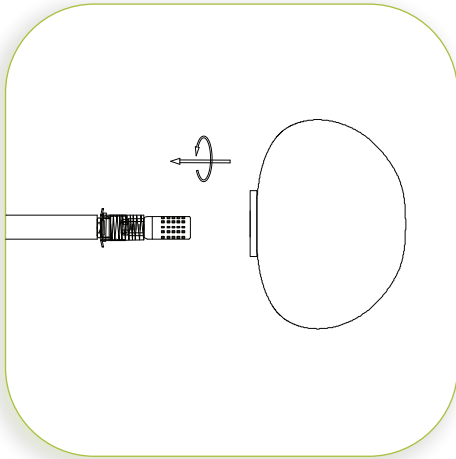
INSTALL THE BULBS

Remove the bulbs from their packaging. Each bulb is a type G9 LED bulb. Insert the bulb into the slot in the center of the socket and push. You will feel the bulb gently snap into place.

MAXIMUM WATTAGE 40W MAX PER SOCKET.



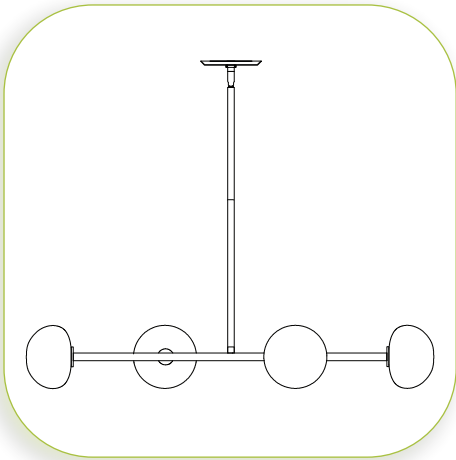
INSTALLATION INSTRUCTIONS



8

INSTALL SHADES

Thread the glass shades onto the sockets clockwise.



9

RESTORE THE ELECTRICITY AND CHECK THE OPERATION OF YOUR NEW FIXTURE

DIMMER NOTE

For the best lighting experience, we recommend using a dimmer. Not only does this allow you to create a great ambiance, it allows for energy savings and extends the life of the LEDs.