

INSTALLATION INSTRUCTIONS



IMPORTANT

Before installing your Lights.com fixture, please make sure that you carefully read through these instruction sheets. Consider having your fixture installed by a qualified licensed electrician.

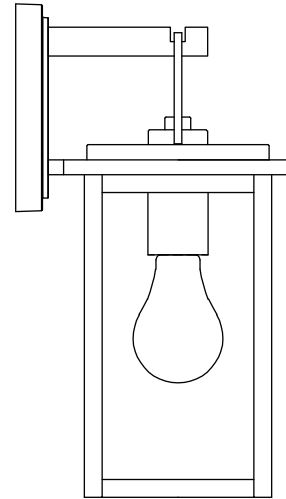
NOTE: The important safeguards and instructions that appear in this manual are not meant to cover all possible conditions and situations that may occur. It must be understood that common sense, caution and care, are factors that can't be built into any product. This approach must be used by the person(s) caring for and operating the fixture.

GENERAL INFORMATION

All electrical connections must be made in accordance with all ordinances, and Local and National Electrical Codes. These fixtures are intended for mounting to a standard 4" junction box. The box must be directly supported by the building structure and be ETL or U.L. Recognized.

STEP BY STEP INSTRUCTIONS

Before starting your installation, disconnect the power by turning off the circuit breaker or by removing the fuse at the fuse box. **Just turning the light off at the light switch is not sufficient to prevent electrical shock.**



COLLECTION

Paterson

APPLICATION

Outdoor Wall Light

MODEL NO.

LC005507

LC005508

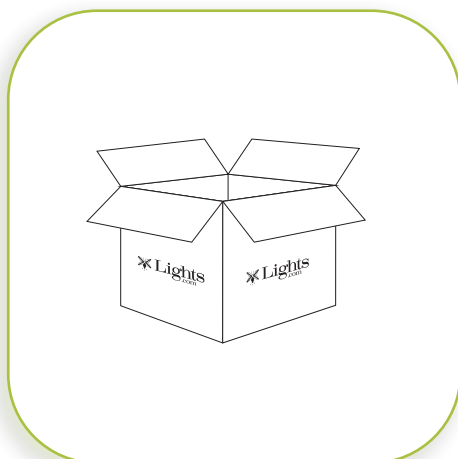
LC005509

WHAT WE PROVIDE

- Wall Light
- Mounting & Wiring Hardware

WHAT YOU NEED

- Phillips head Screwdriver
- Wire Cutters
- Wiring Supplies as Specified by Electrical Code
- 1 x 100W E26 Bulb

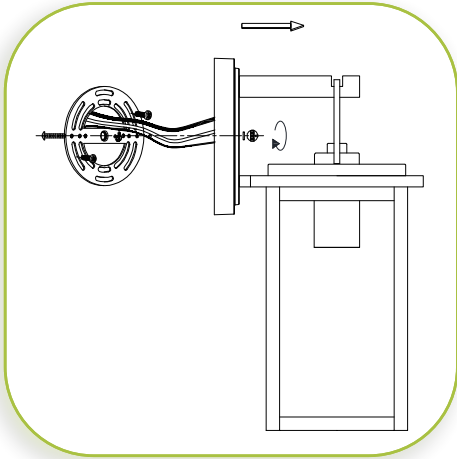


1

UNPACK YOUR FIXTURE

Carefully set aside all parts and pieces.

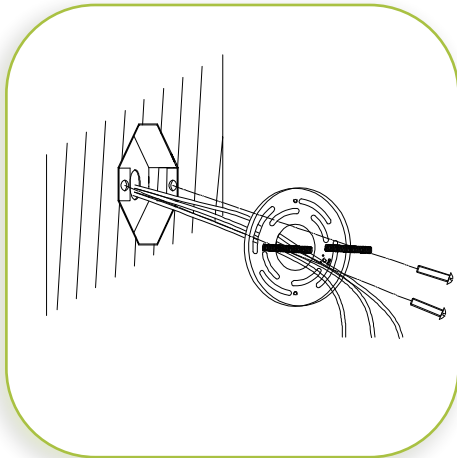
INSTALLATION INSTRUCTIONS



2

PREPARE MOUNTING PLATE

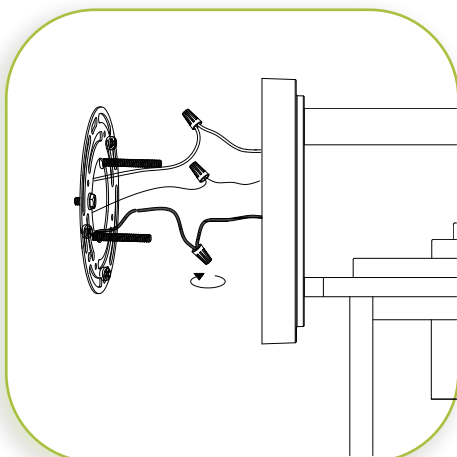
Remove the mounting plate from the backplate by unscrewing the screw caps on the face of the backplate. The long bolts should stay attached to the mounting plate.



3

INSTALL THE MOUNTING PLATE

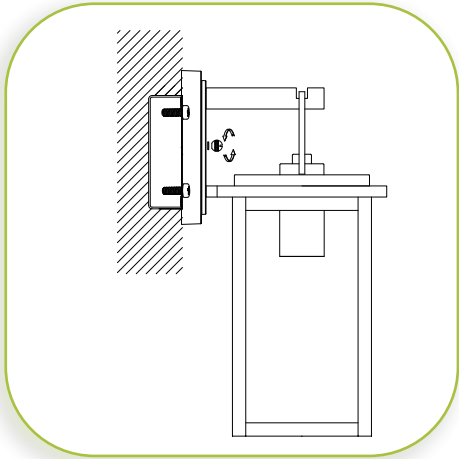
NOTE: This fixture can only be mounted vertically. If there is an existing fixture, remove it. Expose the supply wires from the junction box. Insert supply wires through the center of the mounting plate. With the long bolts facing out, secure the mounting plate to the junction box using the Phillips head screws provided.



4

MAKE WIRE CONNECTIONS

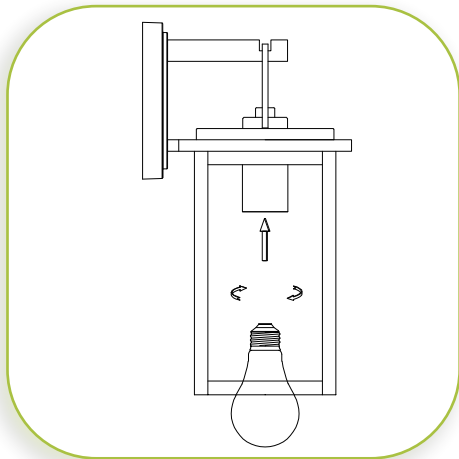
Lift the fixture up to the mounting plate and make wire connections using approved wire connectors (supplied). Connect BLACK Fixture wire to BLACK supply wire, the WHITE fixture wire to WHITE Supply wire, and the COPPER wire to the GROUND supply wire. When connections are made push all wire connectors back through the mounting plate and inside the junction box.



5

CONNECT FIXTURE MOUNTING PLATE

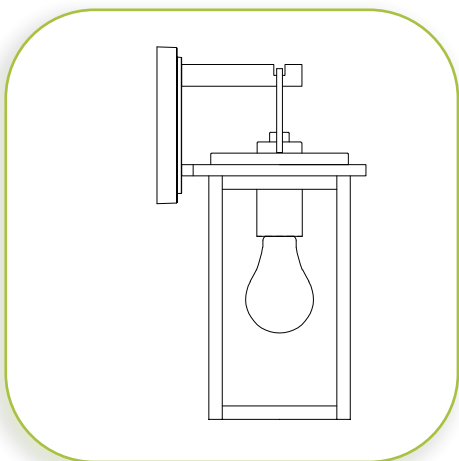
Position the fixture body over the mounting plate, lining up the bolts with the holes on the backplate. Insert bolts through the holes, making sure the fixture is flush with the wall and level. Replace screw caps on the ends of the exposed bolts and hand tighten to secure.



6

INSTALL BULB

Install your E26 100W Max Bulb. **DO NOT EXCEED THE WATTAGE AS STATED ON THE WARNING LABEL**



7

RESTORE THE ELECTRICITY AND CHECK THE OPERATION OF YOUR NEW FIXTURE

DIMMER NOTE

For the best lighting experience, we recommend using a dimmer. Not only does this allow you to create a great ambiance, it allows for energy savings and extends the life of the bulbs.