

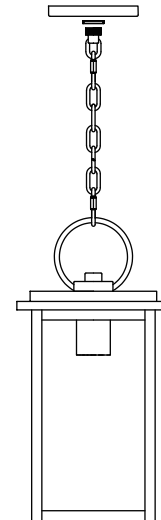
# INSTALLATION INSTRUCTIONS



## IMPORTANT

Before installing your Lights.com fixture, please make sure that you carefully read through these instruction sheets. Consider having your fixture installed by a qualified licensed electrician.

**NOTE:** The important safeguards and instructions that appear in this manual are not meant to cover all possible conditions and situations that may occur. It must be understood that common sense, caution and care, are factors that can't be built into any product. This approach must be used by the person(s) caring for and operating the fixture.



## COLLECTION

Paterson

## APPLICATION

Outdoor Wall Light

## MODEL NO.

LC005510

## GENERAL INFORMATION

All electrical connections must be made in accordance with all ordinances, and Local and National Electrical Codes. These fixtures are intended for mounting to a standard 4" junction box. The box must be directly supported by the building structure and be ETL or U.L. Recognized.

## STEP BY STEP INSTRUCTIONS

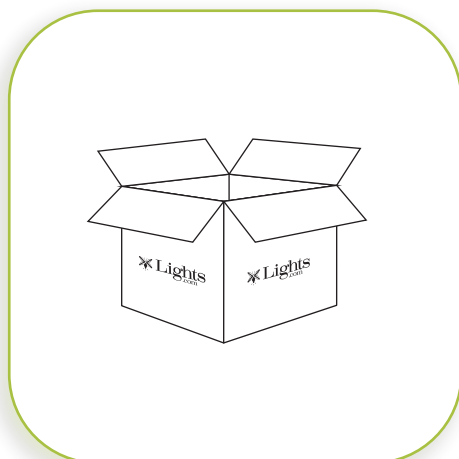
Before starting your installation, disconnect the power by turning off the circuit breaker or by removing the fuse at the fuse box. **Just turning the light off at the light switch is not sufficient to prevent electrical shock.**

## WHAT WE PROVIDE

- Fixture
- Mounting & Wiring Hardware
- 72" Chain
- Canopy & Fixture Loop w/ Collar Ring

## WHAT YOU NEED

- Phillips head Screwdriver
- Wire Cutters
- Wiring Supplies as Specified by Electrical Code
- 1 x 100W E26 Bulb

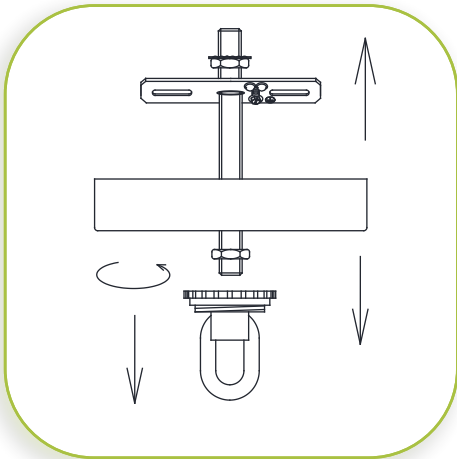


# 1

## UNPACK YOUR FIXTURE

Carefully set aside all parts and pieces.

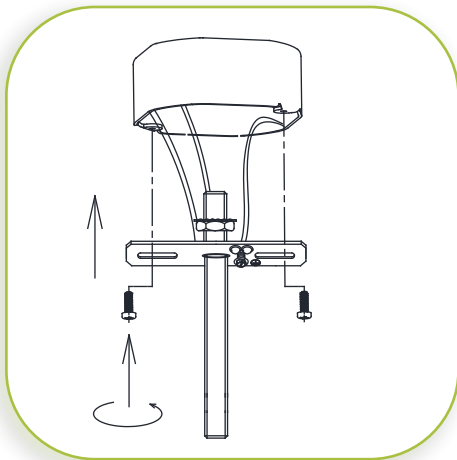
## INSTALLATION INSTRUCTIONS



# 2

### PREPARE MOUNTING BAR

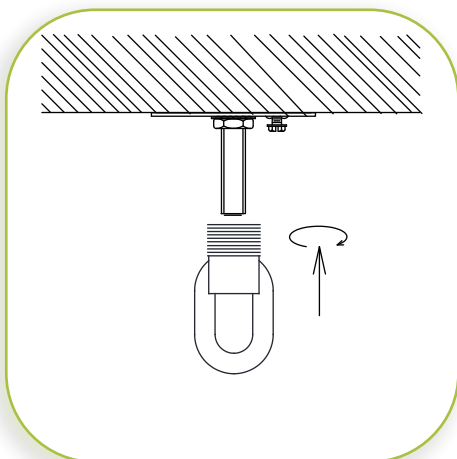
Separate the mounting bar from the canopy by loosening and removing the collar ring and screw collar loop. The center threaded rod should stay attached to the mounting bar. This rod can be adjusted for the depth of your junction box.



# 3

### INSTALL MOUNTING BAR

If there is an existing fixture, remove it. Expose the supply wires from the junction box. Secure the mounting bar to the junction box with the two Phillips head screws provided.

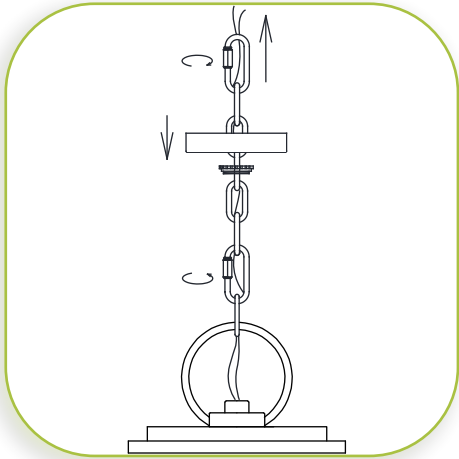


# 4

### INSTALL SCREW COLLAR LOOP

Attach screw collar loop (but not collar ring) to the threaded rod that is attached to the mounting bar.

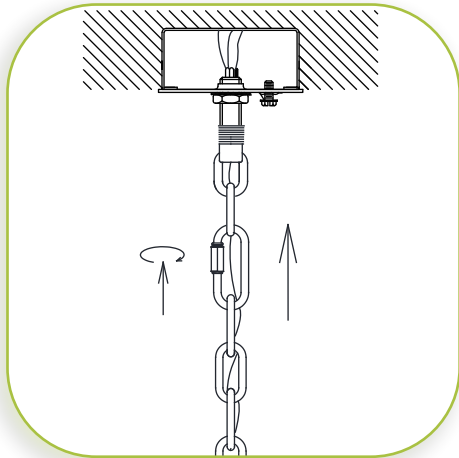
## INSTALLATION INSTRUCTIONS



# 5

### DETERMINE CHAIN LENGTH & PREPARE CANOPY

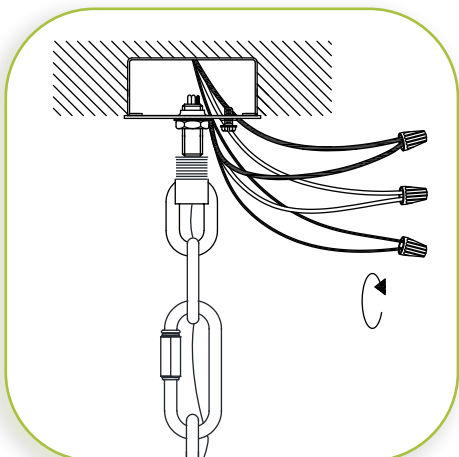
Measure fixture to desired height. Attach the chain link that you have decided will be the upper link to the top adjustable chain link. Attached the bottom adjustable chain link to the fixture ring. Slide the collar ring, then the canopy, in that order, down over the chain. Weave the fixture wires through the assembled chain. Cut power supply cord leaving at least 12" to 18" above the top chain link for adjustments.



# 6

### CONNECT FIXTURE TO SCREW COLLAR LOOP

Feed the fixture wires up through the center of the screw collar loop and mounting bar. Connect top adjustable chain link to screw collar loop, then close the top adjustable link to secure fixture to the ceiling. Your fixture should now be hanging and supported.

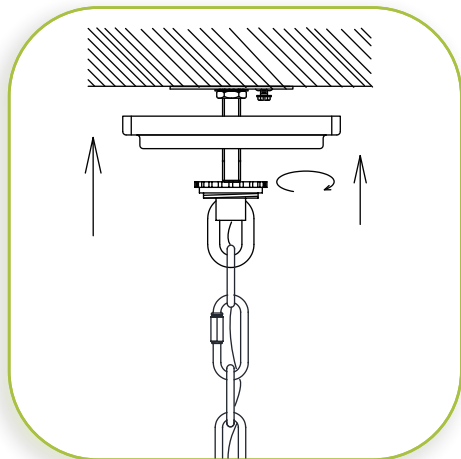


# 7

### MAKE WIRE CONNECTIONS

Connect the BLACK fixture wire to the BLACK supply wire, the WHITE fixture wire to the WHITE supply wire. Connect the fixture GROUND wire to the junction box GROUND wire. Secure all connections with the supplied wire nuts, then carefully tuck all wires up into the junction box.

## INSTALLATION INSTRUCTIONS

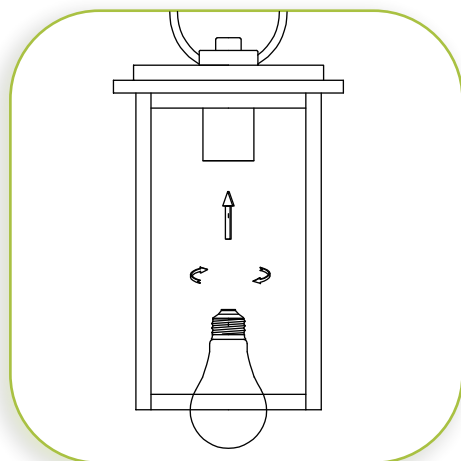


# 8

### INSTALL CANOPY

Raise the canopy up against the ceiling and install the collar ring to the screw collar loop, by threading clockwise.

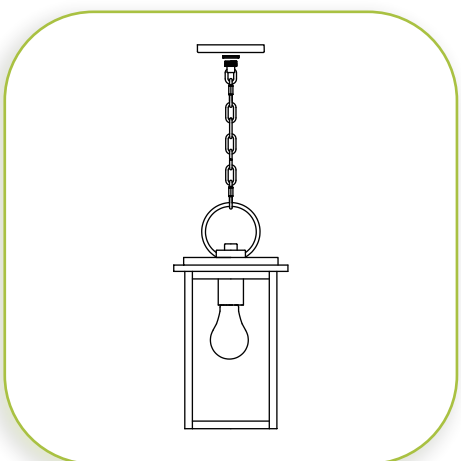
NOTE: Canopy must be flush with the ceiling and fully cover the junction box. You can adjust the height of the center threaded rod if needed.



# 9

### INSTALL BULB

Install your E26 100 W Max Bulb. **DO NOT EXCEED THE MAXIMUM WATTAGE AS STATED ON THE LABEL.**



# 10

### RESTORE THE ELECTRICITY AND CHECK THE OPERATION OF YOUR NEW FIXTURE

For the best lighting experience, we recommend using a dimmer. Not only does this allow you to create a great ambiance, it allows for energy savings and extends the life of the bulbs.

### DIMMER NOTE