

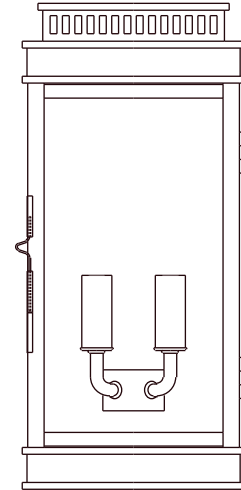
INSTALLATION INSTRUCTIONS



IMPORTANT

Before installing your Lights.com fixture, please make sure that you carefully read through these instruction sheets. Consider having your fixture installed by a qualified licensed electrician.

NOTE: The important safeguards and instructions that appear in this manual are not meant to cover all possible conditions and situations that may occur. It must be understood that common sense, caution and care, are factors that can't be built into any product. This approach must be used by the person(s) caring for and operating the fixture.



COLLECTION

Brighton

APPLICATION

Outdoor Wall Light

MODEL NO.

LC005515

LC005516

GENERAL INFORMATION

All electrical connections must be made in accordance with all ordinances, and Local and National Electrical Codes. These fixtures are intended for mounting to a standard 4" junction box. The box must be directly supported by the building structure and be ETL or U.L. Recognized.

STEP BY STEP INSTRUCTIONS

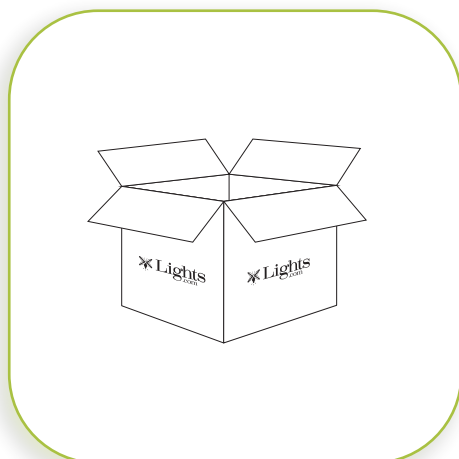
Before starting your installation, disconnect the power by turning off the circuit breaker or by removing the fuse at the fuse box. **Just turning the light off at the light switch is not sufficient to prevent electrical shock.**

WHAT WE PROVIDE

- Wall Light
- Mounting & Wiring
- 2 x of Cream Candle Sleeves
- 2 x Finish Matched Candle Sleeves

WHAT YOU NEED

- Phillips head Screwdriver
- Wire Cutters
- Wiring Supplies as Specified by Electrical Code
- 2 x 60W E12 Bulb

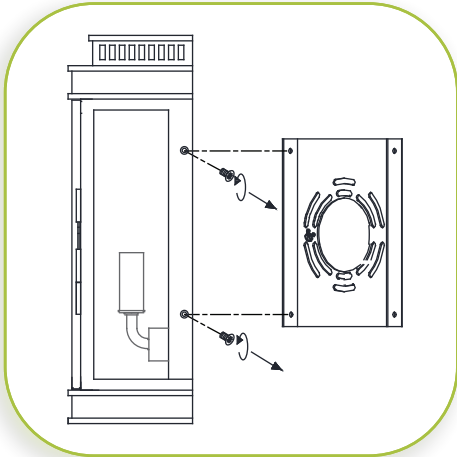


1

UNPACK YOUR FIXTURE

Carefully set aside all parts and pieces.

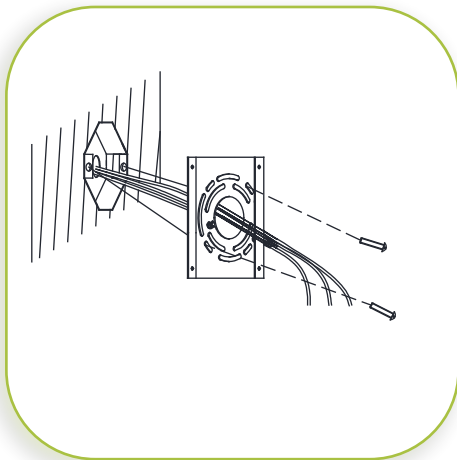
INSTALLATION INSTRUCTIONS



2

PREPARE MOUNTING PLATE

Remove the mounting plate from the backplate by unscrewing the screws from the backplate

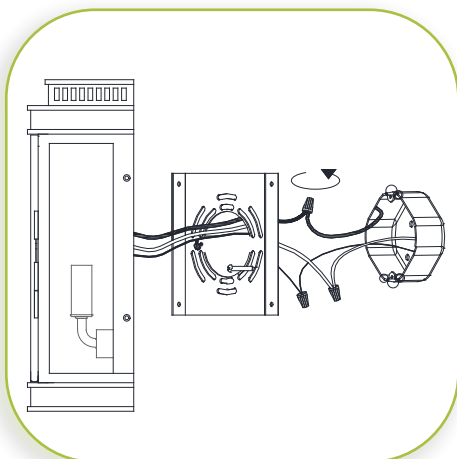


3

INSTALL MOUNTING PLATE

NOTE: This fixture can only be mounted vertically.

If there is an existing fixture, remove it. Expose the supply wires from the junction box. Insert supply wires through the mounting plate. Secure the mounting plate using a Phillips head screws provided. Tighten to secure.

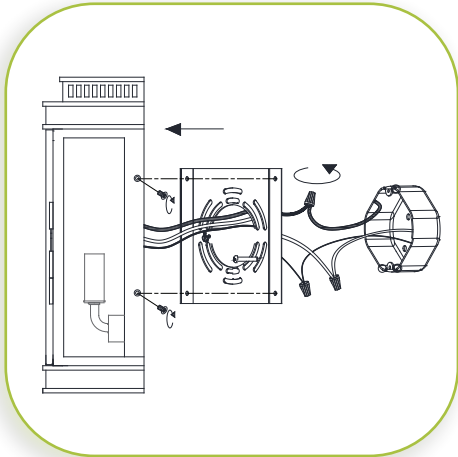


4

MAKE WIRE CONNECTIONS

Connect the BLACK fixture wire to the BLACK supply wire and connect the WHITE fixture wire to the WHITE supply wire. Connect the fixture GROUND wire to the junction box GROUND wire, or wrap around one of the protruding screws on the mounting plate. Secure all connections with the supplied wire nuts.

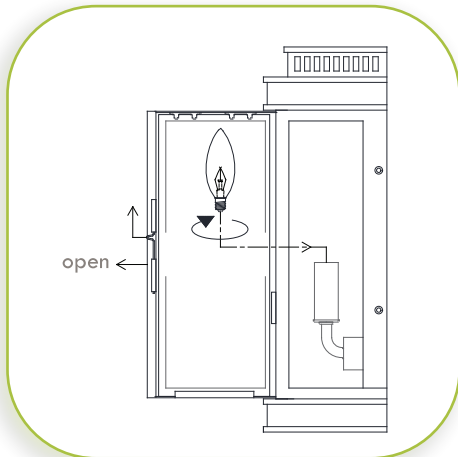
INSTALLATION INSTRUCTIONS



5

CONNECT FIXTURE TO MOUNTING PLATE

Position the fixture body over the mounting plate. Secure the fixture body to the mounting plate with the two screws on the sides.



6

INSTALL THE BULB

To access the sockets, open the hinged, front glass door. Install your E12 60W bulbs. Close the glass door and secure shut with the metal slider.

MAXIMUM WATTAGE 60W PER SOCKET.



7

RESTORE THE ELECTRICITY AND CHECK THE OPERATION OF YOUR NEW FIXTURE

For the best lighting experience, we recommend using a dimmer. Not only does this allow you to create a great ambiance, it allows for energy savings and extends the life of the bulbs.

DIMMER NOTE