

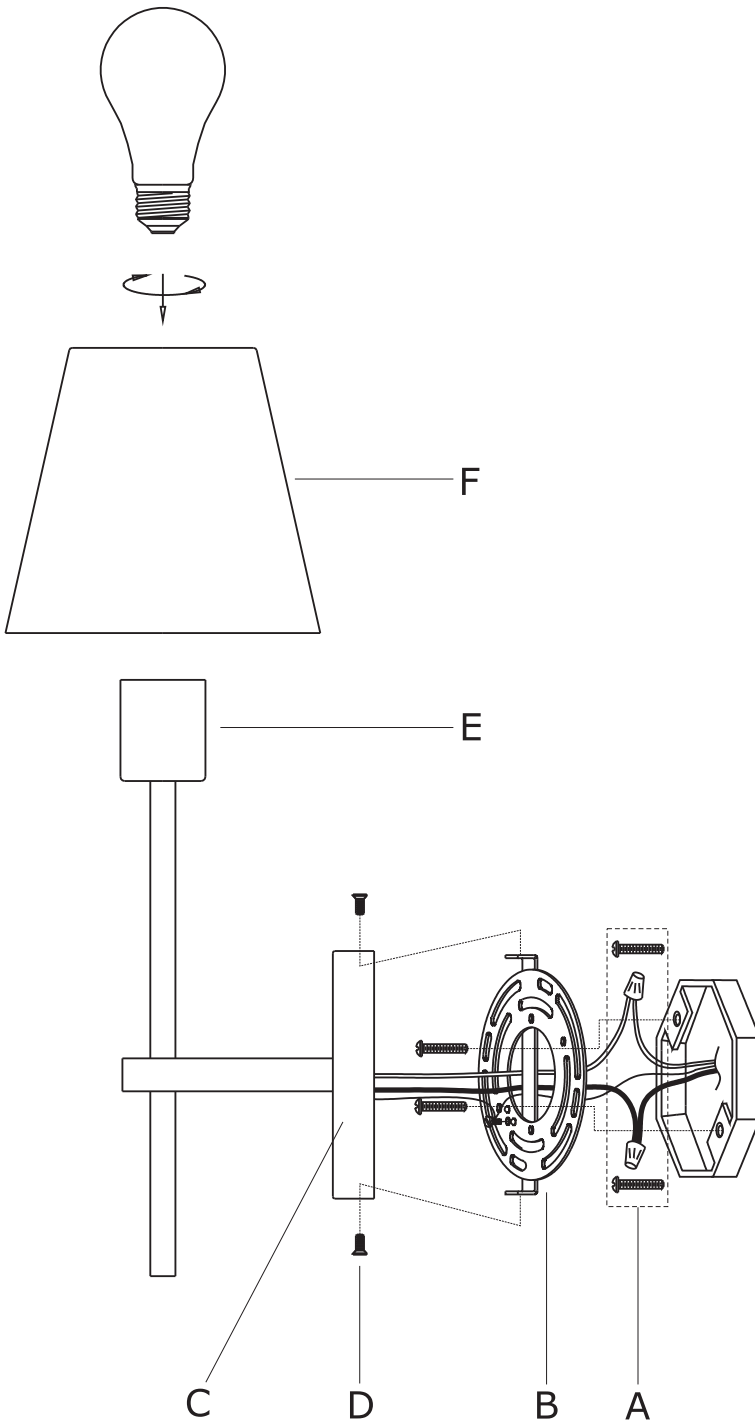
ASSEMBLY INSTRUCTION
 BANKS WALL SCONCE
 MODEL NO. LC005568, LC005569,
 LC005570, LC005571



All electrical components must be installed by a licensed electrician in accordance with the National Electric Code and the appropriate local electrical codes.



You will need 1-Medium Base Bulb
 60 Watts Recommended 100 Watts Max.
 USE LED BULBS FOR EXTENDED USE
 This fixture is Damp Rated



HOW TO INSTALL

1. Install the mounting plate to the outlet box using two outlet box screws.
2. Install backplate onto the mounting plate, and secure with the screws.
3. Install the metal shade onto the socket cover.
4. Install the bulb(not included) into the socket.

PART NUMBER

- A. (1)-Mounting hardware
- B. (1)-Mounting plate
- C. (1)-Backplate W4-3/4"x H3/4"
- D. (2)-Screw
- E. (1)-Socket
- F(A). (1)-Metal Shade (WH) W6"x H5-3/8"
- F(B). (1)-Metal Shade (MK) W6"x H5-3/8"