

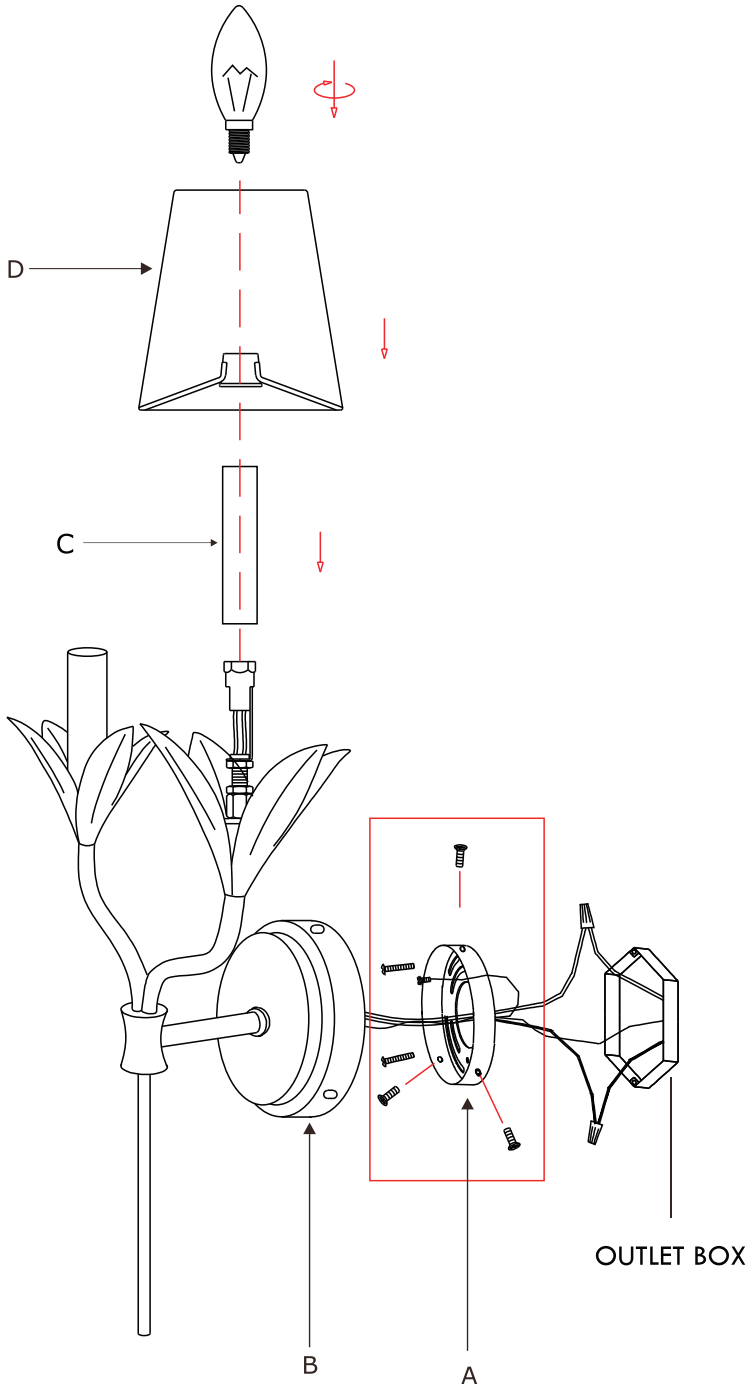
ASSEMBLY INSTRUCTION
 ALICE DOUBLE SCONCE
 MODEL NO. LC005631, LC005632,
 LC005633



All electrical components must be installed by a licensed electrician in accordance with the National Electric Code and the appropriate local electrical codes.



You will need 2-Candelabra Base Bulb
 40 Watts Recommended 60 Watts Max.
 USE LED BULBS FOR EXTENDED USE
 This fixture is Damp Rated



HOW TO INSTALL

1. Install the mounting plate onto the outlet box.
2. Place the backplate over the mounting plate and secure with the screws.
3. Place the candle sleeve over the socket and slide the fabric shade over the candle sleeve.
4. Install the bulb onto the socket.

PART NUMBER

- A. (1)-Mounting hardware
- B. (1)-Backplate W4.9", H0.9"
- C. (2)-Candle Sleeve W0.87", H3.9"
- D. (2)-White Fabric Shade