

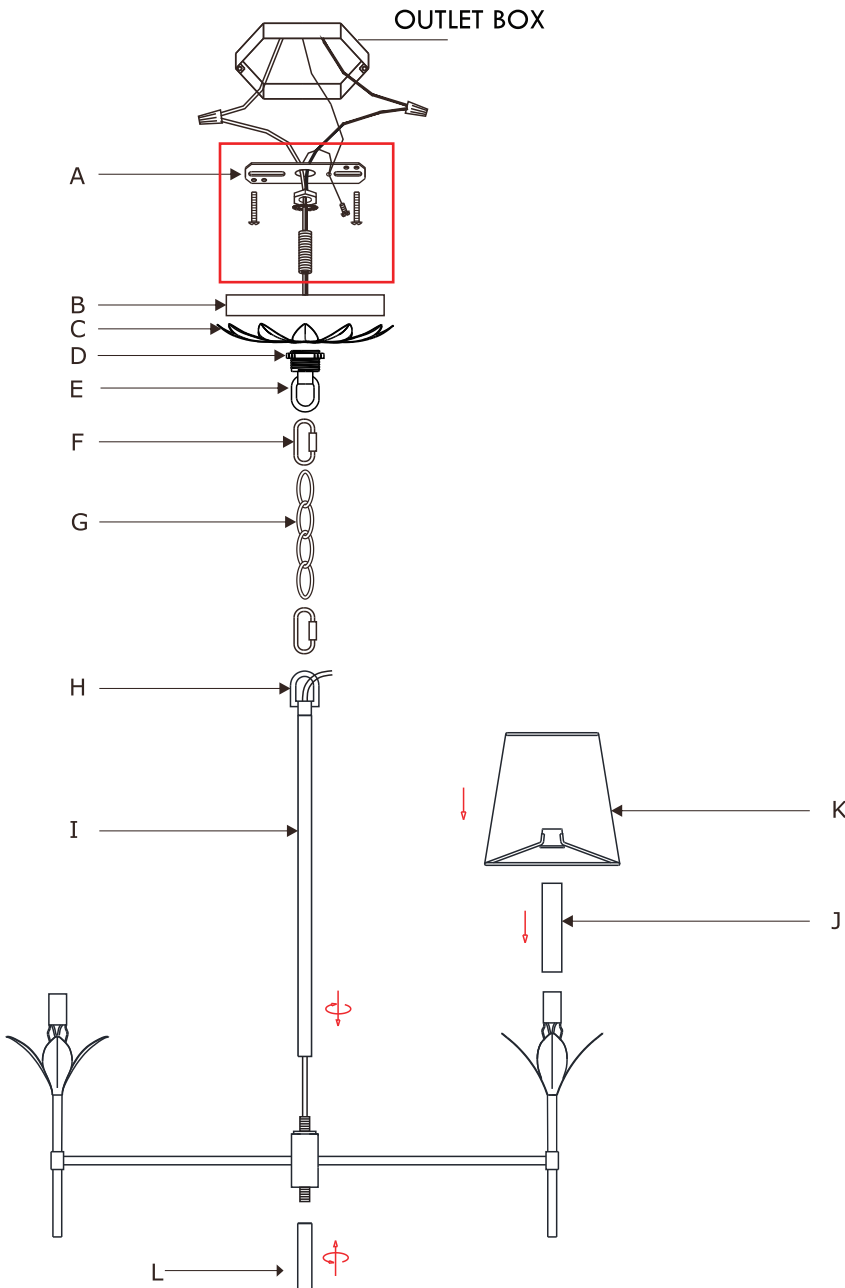
ASSEMBLY INSTRUCTION
 ALICE 4 LIGHT CHANDELIER 28"
 MODEL NO. LC005634, LC005635,
 LC005636



All electrical components must be installed by a licensed electrician in accordance with the National Electric Code and the appropriate local electrical codes.



You will need 4-Candelabra Base Bulb
 40 Watts Recommended 60 Watts Max.
 USE LED BULBS FOR EXTENDED USE
 This fixture is Damp Rated



HOW TO INSTALL

1. Screw the top stem onto the top of the frame.
2. Screw the bottom stem onto the bottom of the frame.
3. Decide the preferred hanging height and choose the correct length of chain needed.
4. Raise the fixture up to the ceiling and do the wire connections.

PART NUMBER

- A. (1)-Mounting hardware
- B. (1)-Canopy W4.7"x H0.79"
- C. (1)-Decorative Metal Leaves
- D. (1)-Collar Ring
- E. (1)-Collar Loop
- F. (2)-Quick Link
- G. (1)-Hanging Chain (72",4.0mm)
- H. (1)-Loop
- I. (1)-Top Stem(17.23",15.9mm)
- J. (4)-Candle Sleeves (W0.87", H3.9")
- K. (4)-White Fabric Shades
- L. (1)-Bottom Stem (3.23",15.9mm)

WARNING: This product can expose you to Lead which is known to the state of California to cause cancer and/or birth defects or reproductive harm. For more information go to www.P65Warnings.ca.gov