

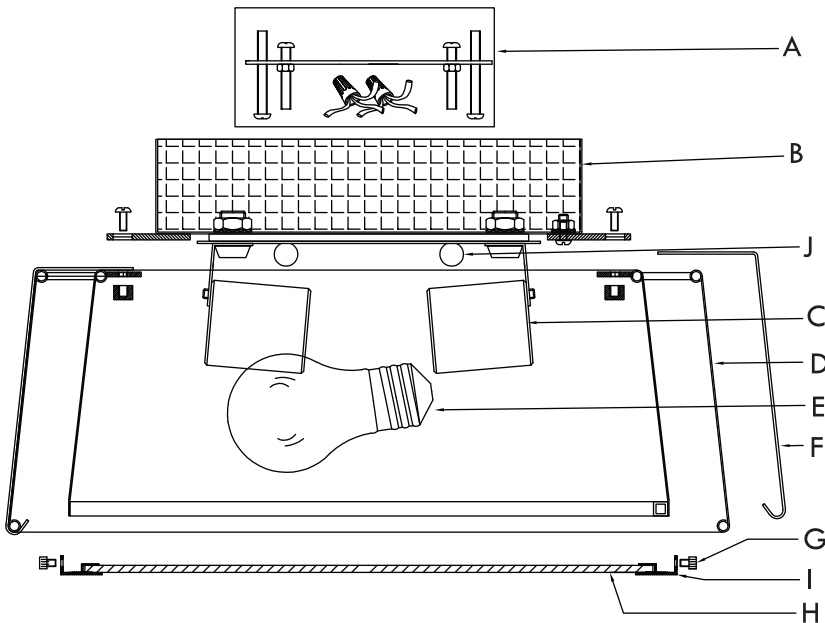
ASSEMBLY INSTRUCTION
 HOYT FLUSH MOUNT 12"
 MODEL NO. LC005658, LC005659,
 LC005660



All electrical components must be installed by a licensed electrician in accordance with the National Electric Code and the appropriate local electrical codes.



You will need 2-Medium Base Bulb
 40 Watts Recommended 60 Watts Max.
 USE LED BULBS FOR EXTENDED USE
 This fixture is Dry Rated



HOW TO INSTALL

- Optional--Remove the (3) metal bands by removing the(3)screws on top of the shade. Put the shade back using the screws.
- Attach the canopy onto ceiling junction box and secure it with ball nut.
- Install the bulb onto the socket.
- Put the bottom ring over the fabric shade and secure it with screws.

Bulb replacement:

Take the bottom ring off by removing screws.

PART NUMBER

- A. (1)-Mounting hardware
- B. (1)-Canopy W7"*H1.5"
- C. (2)-Socket
- D. (1)-Fabric Shade W12"*H4.25"
- E. (2)-Bulb (Not included)
- F. (3)-Metal band
- G. (3)-Screws
- H. (1)-Glass diffuser Ø9.5"
- I. (1)-Bottom ring Ø10.25"
- J. (2)-Ball Nut

WARNING: This product can expose you to Lead which is known to the state of California to cause cancer and/or birth defects or reproductive harm. For more information go to www.P65Warnings.ca.gov