

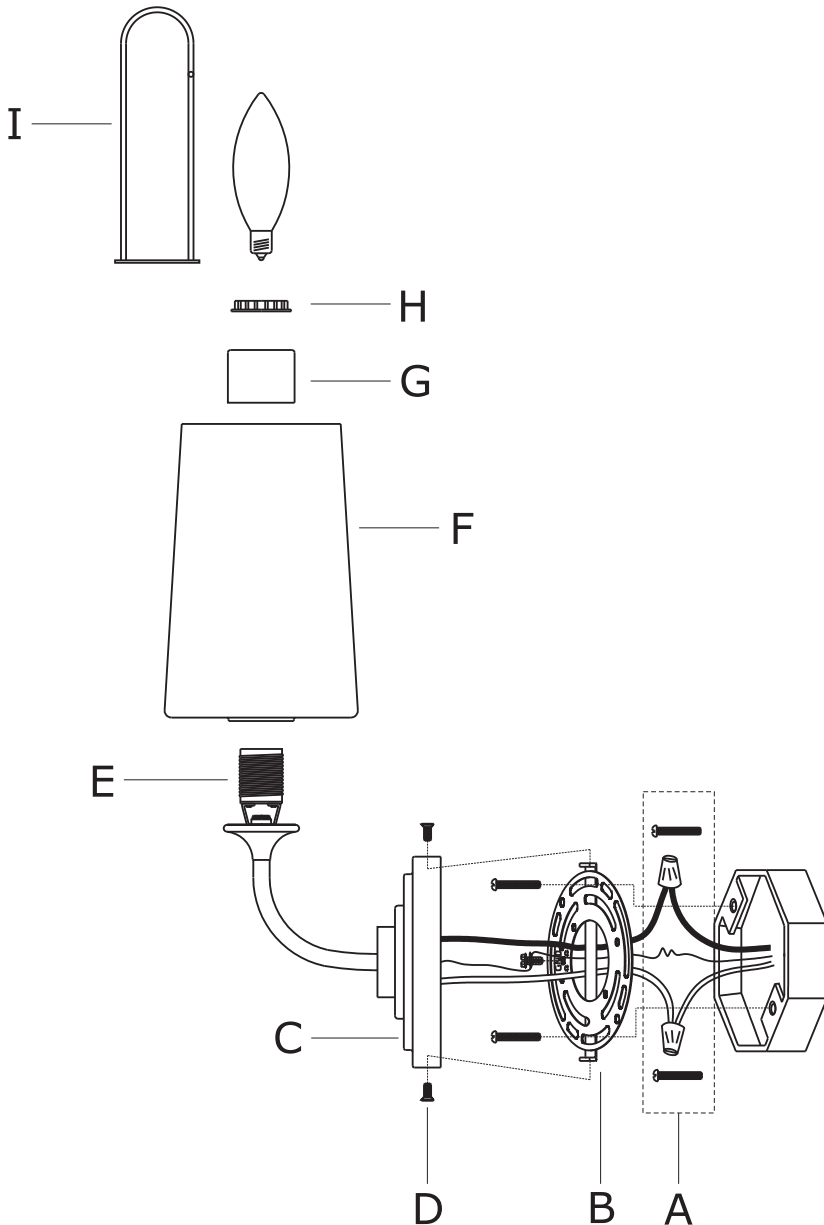
ASSEMBLY INSTRUCTION
LOGAN WALL SCNCE
MODEL NO. LC005666



All electrical components must be installed by a licensed electrician in accordance with the National Electric Code and the appropriate local electrical codes.



You will need 1-Candelabra Base Bulb
40 Watts Recommended 60 Watts Max.
USE LED BULBS FOR EXTENDED USE
This fixture is Damp Rated

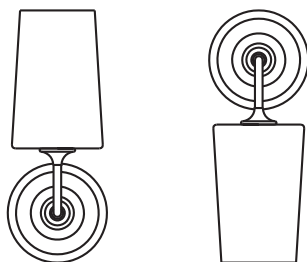


HOW TO INSTALL

1. Install the mounting plate to the outlet box using two outlet box screws.
2. Install backplate onto the mounting plate, and secure with the screws.
3. Install the glass shade and spacer over the socket, then secure with the socket ring by wrench.
4. Install the bulb (not included) into the socket.

PART NUMBER

- A. (1)-Mounting hardware
- B. (1)-Mounting plate
- C. 1)-Socket
- D. (1)-Backplate W4-3/4"xH7/8"
- E. (2)-Screw
- F. (1)-Glass shade W4-3/8"xH6-5/8"
- G. (1)-Socket ring
- H. (1)-Spacer
- I. (1)-Wrench



THE FIXTURE CAN BE MOUNTED EITHER UPWARDS OR DOWNWARDS

WARNING: This product can expose you to Lead which is known to the state of California to cause cancer and/or birth defects or reproductive harm. For more information go to www.P65Warnings.ca.gov