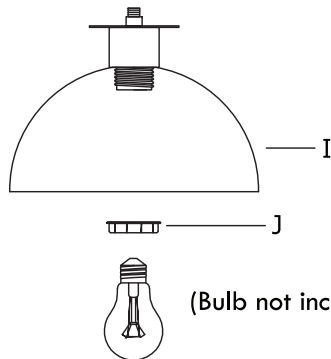
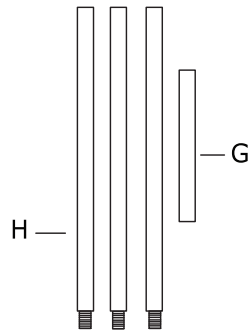
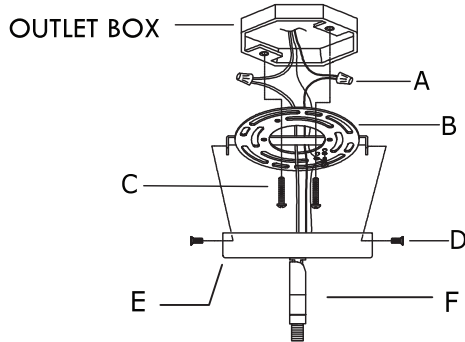


ASSEMBLY INSTRUCTION
REMY EXTRA LARGE PENDANT 23"
MODEL NO. LC005673



All electrical components must be installed by a licensed electrician in accordance with the National Electric Code and the appropriate local electrical codes.



You will need 1-Medium Base Bulb
60 Watts Recommended 100 Watts Max.
USE LED BULBS FOR EXTENDED USE
This fixture is Damp Rated

HOW TO INSTALL

Place the fixture parts on a soft cloth-covered platform before installation of fixture.

1. Determine the desired hanging height and choose the correct length of rods.
2. Feed fixture wires through the rod and canopy. Connect the rods together and then screw the canopy onto the top of rods.
3. Install the mounting plate to the outlet box using two mounting screws.
4. Install canopy onto the mounting plate, and secure with the screws.
5. Install shade assembly onto the socket and secure with socket ring.

PART NUMBER

- A. (2)-Wire Connector
- B. (1)-Mounting plate
- C. (2)-Mounting Screw
- D. (2)-Screw
- E. (1)-Canopy W7"x H 1 " with 2 side holes.
- F. (1)-Swivel
- G. (1)-H6" ROD
- H. (3)-H12" ROD
- I. (1)-Shade assembly Ø23.5"
- J. (1)-Socket ring