

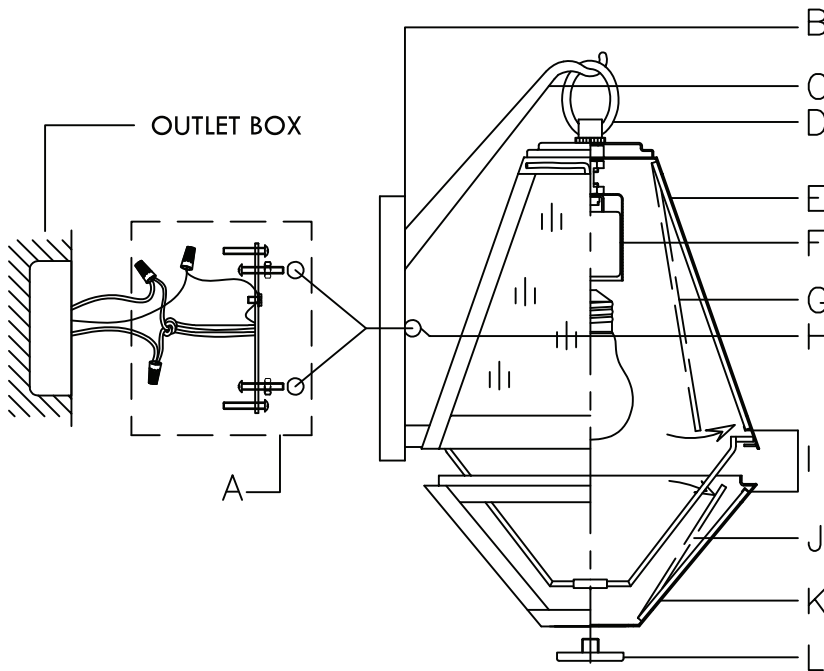
ASSEMBLY INSTRUCTION  
EMMETT OUTDOOR  
SMALL WALL LIGHT 13"  
MODEL NO. LC005679



All electrical components must be installed by a licensed electrician in accordance with the National Electric Code and the appropriate local electrical codes.



You will need 1-Medium Base Bulb  
40 Watts Recommended 100 Watts Max.  
USE LED BULBS FOR EXTENDED USE



## HOW TO INSTALL

- To install glass panels, separate the Bottom Cage and the Top Cage, by removing the Decorative Nut.
- Bend glass Clip and slide Glass #1 into the Top Cage and Glass #2 into the Bottom Cage.
- Bend glass Clip to secure Glass #1 and Glass #2.
- Install the bulb (not included) to the socket.
- Connect the Bottom Cage and the Top Cage, by screwing in Decorative Nut to secure cage.
- The backplate of the fixture can now be mounted to the wall.

### Replacement Glass Installation:

- Follow instructions #1 through #3 above to install new glass. Complete by connecting the Bottom Cage and the Top Cage by screwing in Decorative Nut to secure cage.

### Bulb Replacement:

- Separate the Bottom Cage and the Top Cage, by removing Decorative Nut.
- Install the bulb into the socket
- Complete by connecting the Bottom Cage and the Top Cage by screwing in Decorative Nut to secure cage.

After securing fixture to the wall, it is recommended that the gap between the wall and the backplate be sealed on the top and both sides, with a good quality waterproof caulk or silicone sealant (NOT INCLUDED).

## PART NUMBER

- A. (1)-Mounting hardware
- B. (1)-Backplate; W4.75" X H6.25"
- C. (1)-Arm
- D. (1)-LOOP
- E. (1)-Top Cage
- F. (1)-Socket
- G. (4)-Glass 1; (2.75" + 7.25") X 6.5"
- H. (2)-Ball Nut; (XNO 9701BCBANUT)
- I. (8)-Clip
- J. (4)-Glass 2; (2" + 7") X 4"
- K. (1)-Bottom Cage
- L. (1)-Decorative Nut

WARNING: This product can expose you to Lead which is known to the state of California to cause cancer and/or birth defects or reproductive harm. For more information go to [www.P65Warnings.ca.gov](http://www.P65Warnings.ca.gov)