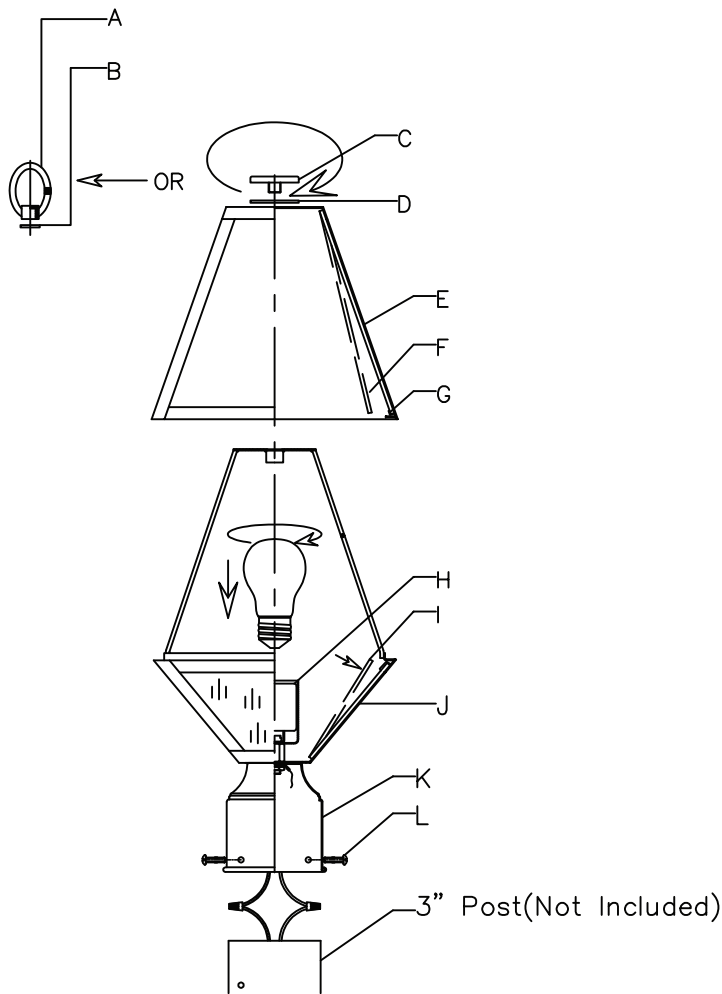


ASSEMBLY INSTRUCTION  
EMMETT OUTDOOR POST LIGHT  
MODEL NO. LC005680



All electrical components must be installed by a licensed electrician in accordance with the National Electric Code and the appropriate local electrical codes.



You will need 1-Medium Base Bulb  
40 Watts Recommended 100 Watts Max.  
USE LED BULBS FOR EXTENDED USE

## HOW TO INSTALL

- To install glass panels, separate the Bottom Cage and the Top Cage, by removing the Decorative Nut and rubber washer.
- Bend glass Clip and slide Glass #1 into the Top Cage and Glass #2 into the Bottom Cage.
- Bend glass Clip to secure Glass #1 and Glass #2.
- Install the bulb (not included) to the socket.
- Connect the Bottom Cage and the Top Cage, by screwing in Decorative Nut to secure cage.
- The fitter can now be mounted to the post by screws
- To replace the top finial, screw off the decorative nut, take down rubber washer. Bring the loop and rubber washer (11), and the loop onto the top fixture.

### Replacement Glass Installation:

- Follow instructions #1 through #3 above to install new glass. Complete by connecting the Bottom Cage and the Top Cage by screwing in Decorative Nut to secure cage.

### Bulb Replacement:

- Separate the Bottom Cage and the Top Cage, by removing Decorative Nut.
- Install the bulb into the socket
- Complete by connecting the Bottom Cage and the Top Cage by screwing in Decorative Nut to secure cage.

## PART NUMBER

- A. (1)-Loop
- B. (1)-Rubber Washer;  $\varnothing 16\text{mm}$
- C. (1)-Decorative Nut
- D. (2)-Rubber Washer  $\varnothing 40\text{mm}$ ;
- E. (1)-Top Cage
- F. (4)-Glass 1;  $(2.75" + 7.5") \times 7"$
- G. (12)-Clip
- H. (1)-Socket
- I. (4)-Glass 2;  $(2.1" + 7") \times 4"$
- J. (1)-Bottom Cage
- K. (1)-Fitter
- L. (3)-Screws

WARNING: This product can expose you to Lead which is known to the state of California to cause cancer and/or birth defects or reproductive harm. For more information go to [www.P65Warnings.ca.gov](http://www.P65Warnings.ca.gov)