

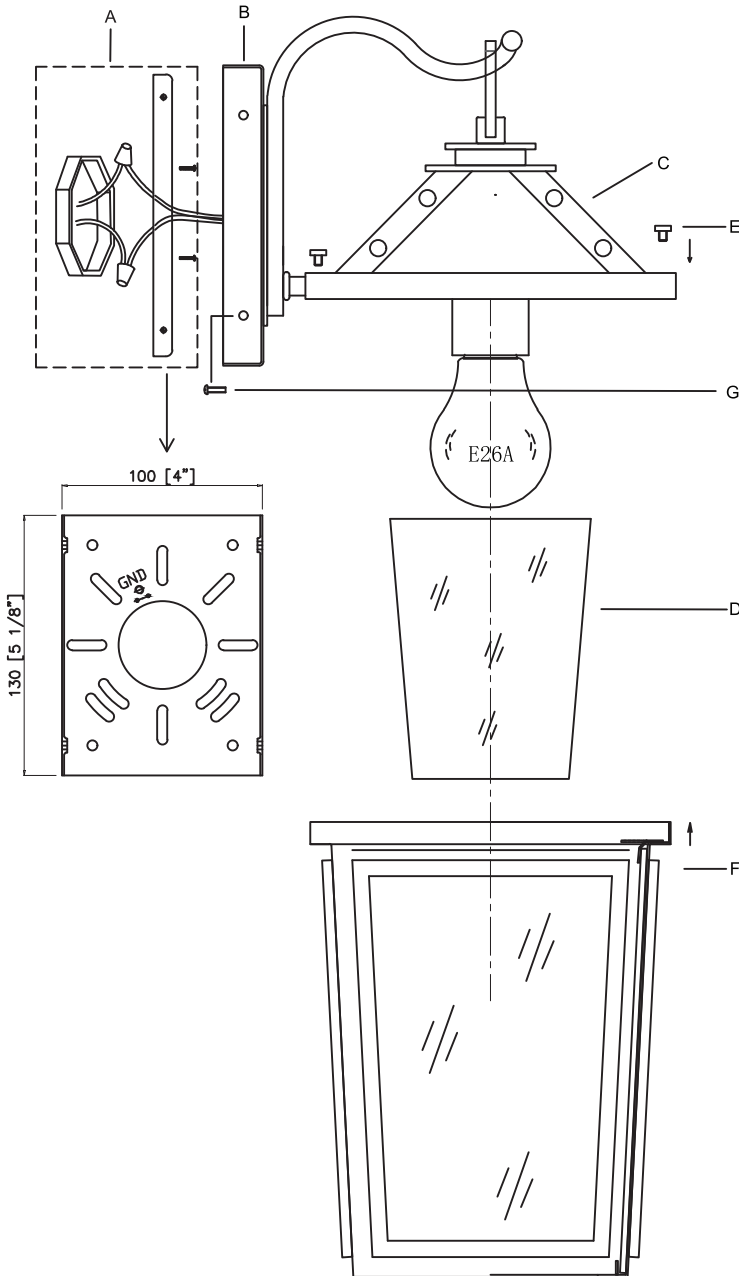
ASSEMBLY INSTRUCTION
 ELLINGTON OUTDOOR
 SMALL WALL LIGHT 14"
 MODEL NO. LC005684



All electrical components must be installed by a licensed electrician in accordance with the National Electric Code and the appropriate local electrical codes.



You will need 1-Medium Base Bulb
 40 Watts Recommended 60 Watts Max.
 USE LED BULBS FOR EXTENDED USE
 This fixture is Wet Rated



HOW TO INSTALL

1. Remove the top cover by loosening the cap nuts and install the bulb into the socket.
2. Insert the glass into the bottom cage and secure with the clip.
3. Install the mounting plate onto the outlet box using two outlet box screws.
4. Place the top cover onto the bottom cage and secure with the cap nuts.
5. Place the back plate over the mounting plate and secure with the screws.

PART NUMBER

- A. (1)-Mounting Hardware
- B. (1)-Back Plate
- C. (1)-Top cover
- D. (4)-Glass Panels W5.9"*H8.25 "
- E. 4)-Cap nut
- F. (1)-Bottom cage
- G. (4)-Screws