

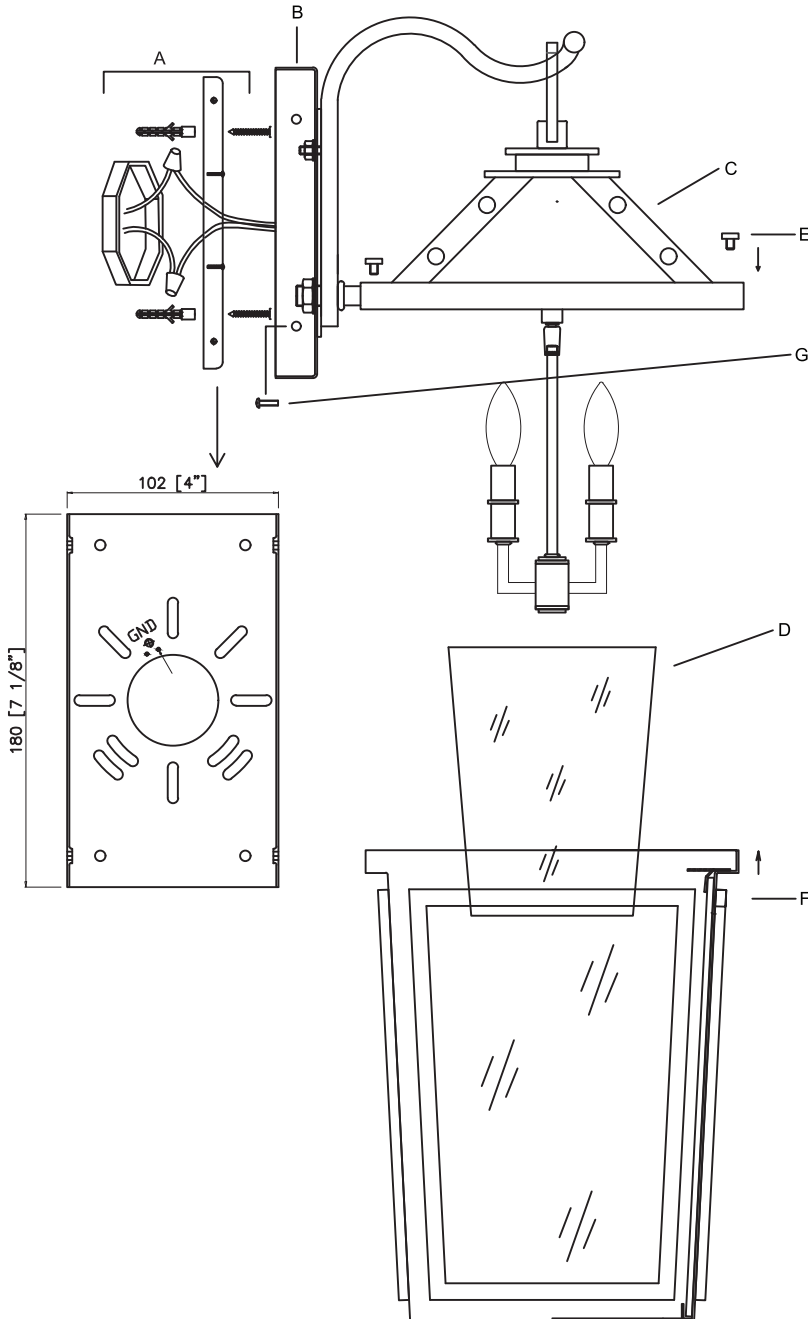
ASSEMBLY INSTRUCTION
 ELLINGTON OUTDOOR
 MEDIUM WALL LIGHT 19"
 MODEL NO. LC005684



All electrical components must be installed by a licensed electrician in accordance with the National Electric Code and the appropriate local electrical codes.



You will need 3-Candelabra Base Bulb
 40 Watts Recommended 60 Watts Max.
 USE LED BULBS FOR EXTENDED USE
 This fixture is Wet Rated



HOW TO INSTALL

1. Remove the top cover by loosening the cap nuts and install the bulb into the socket.
2. Place the mounting plate over the outlet box and mark 4 points on the wall surface at the center of the 4 holes on the mounting plate.
3. Drill 4 holes at the marked points and insert the wall anchors.
4. Attach the mounting plate over the outlet box using two outlet box screws. Insert the anchor screws into the wall anchors to tighten it.
5. Insert the glass into the bottom cage and secure with the clip.
6. Place the top over onto the bottom cage and secure with the cap nuts.
7. Place the back plate over the mounting plate and secure with the screws.

How to change the bulb:

1. Remove the top cover by loosening the cap nuts.
2. After changing the bulbs, place the top cover back and secure with the cap nuts.

PART NUMBER

- A. (1)-Mounting Hardware
- B. (1)-Back Plate
- C. (1)-Top cover
- D. (4)-Glass Panels W7.75"*H11.75"
- E. (4)-Screws
- F. (1)-Bottom cage
- G. (4)-Machine Screws

WARNING: This product can expose you to Lead which is known to the state of California to cause cancer and/or birth defects or reproductive harm. For more information go to www.P65Warnings.ca.gov