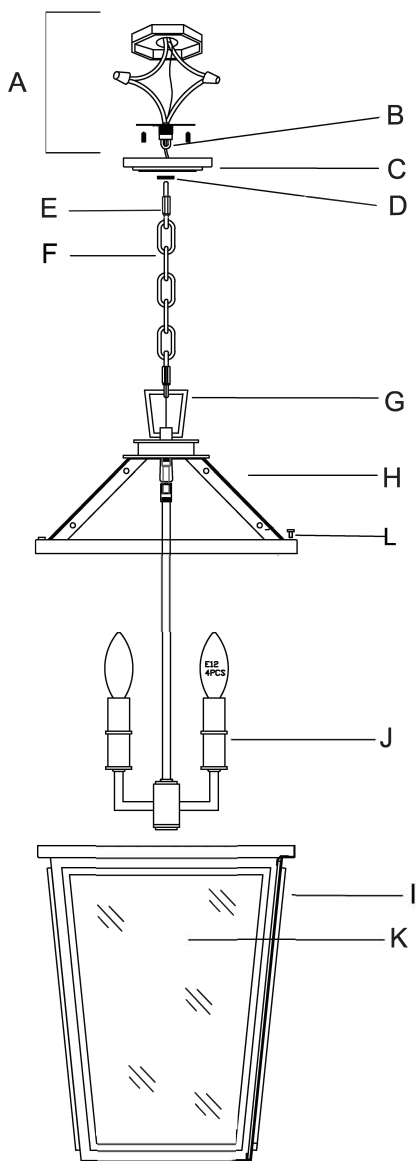


ASSEMBLY INSTRUCTION  
 ELLINGTON OUTDOOR HANGING LIGHT  
 MODEL NO. LC005586



All electrical components must be installed by a licensed electrician in accordance with the National Electric Code and the appropriate local electrical codes.



You will need 4-Candelabra Base Bulb  
 40 Watts Recommended 60 Watts Max.  
 USE LED BULBS FOR EXTENDED USE  
 This fixture is Damp Rated

**HOW TO INSTALL**

1. Remove the bottom cover from the top cage by loosening the cap nut and install the bulb onto the socket.
2. Insert the glass into the bottom cage and secure with the clips.
3. Place the top cover over the bottom cage and secure with the cap nuts.
4. Attach the mounting bar to the outlet box using two outlet box screws.
5. Decide the desired hanging height and choose the correct length of chain needed.
6. Raise the fixture up to the ceiling and do the wire connection. Secure the canopy over the outlet box using the collar ring.

**PART NUMBER**

- A. Mounting Hardware
  - I. (1)-Mounting bar
  - II. (2)-Machine Screw
  - III. (3)-Wire Nut
- B. (1)-Screw Collar Loop
  - (1)-Canopy Ø5.5"x0.75"h
- D. (1)-Collar Ring
- E. (2)-Quick Link
  - (1)-Chain 72"Lx Ø4.0mmT
- G. (1)-Top Loop
- H. (1)-Top cover
- I. (1)-Bottom cage
- J. (1)-Light cluster
- K. (4)-Glass Panels W10.13"\*H13.75"
- L. (4)-Cap nut

WARNING: This product can expose you to Lead which is known to the state of California to cause cancer and/or birth defects or reproductive harm. For more information go to [www.P65Warnings.ca.gov](http://www.P65Warnings.ca.gov)