

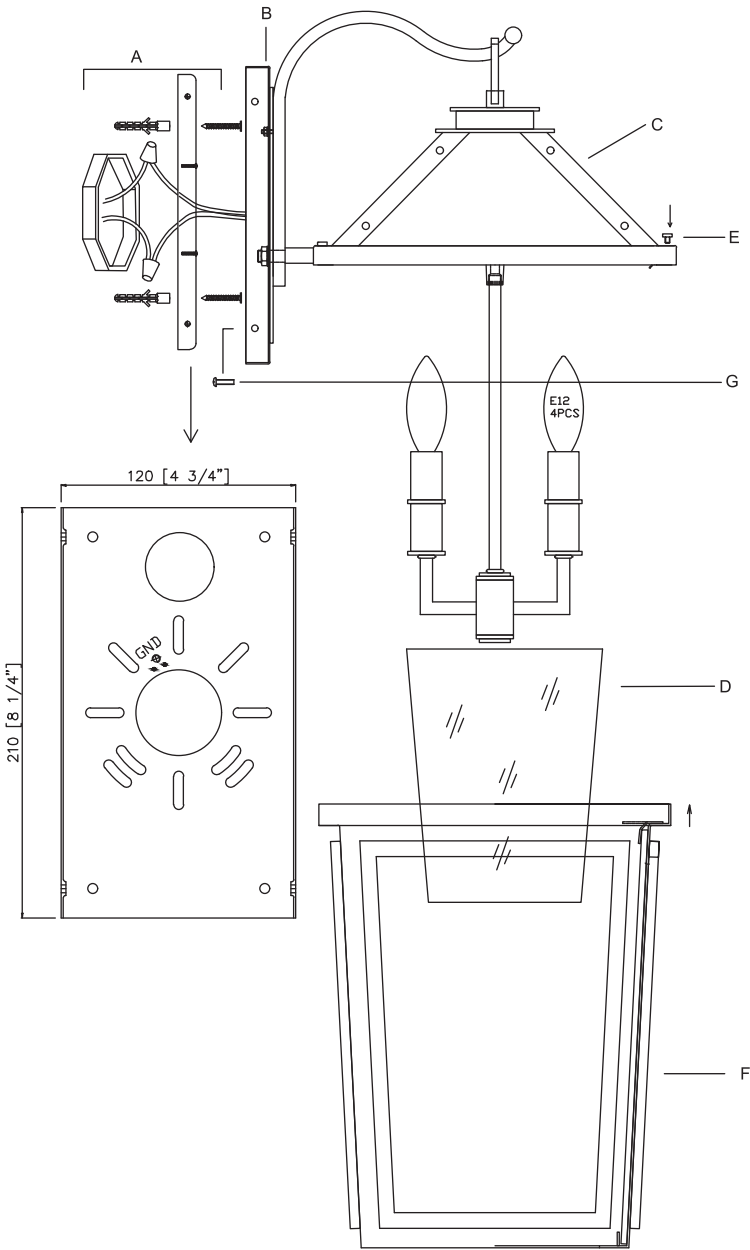
ASSEMBLY INSTRUCTION
 ELLINGTON OUTDOOR
 LARGE WALL LIGHT 22"
 MODEL NO. LC005688



All electrical components must be installed by a licensed electrician in accordance with the National Electric Code and the appropriate local electrical codes.



You will need 4-Candelabra Base Bulb
 40 Watts Recommended 60 Watts Max.
 USE LED BULBS FOR EXTENDED USE
 This fixture is Wet Rated



HOW TO INSTALL

1. Remove the top cover by loosening the cap nuts and install the bulb into the socket.
2. Insert the glass into the bottom cage and secure with the clip.
 - A. If the outlet box is around the center of the mounting plate, Attach the mounting plate onto the outlet using the two outlet box screws directly.
 - B. If the outlet box is far off the center of the mounting plate, please proceed with the following steps:
 - C. Place the mounting plate over the outlet box and mark 4 holes on the wall surface at the center of the holes on the mounting plate.
 - D. Drill 4 holes at the marked points and insert the wall anchors.
 - E. Place the mounting plate over the outlet box and secure with the anchor screws.
3. Place the back plate over the mounting plate and secure with the screws.
4. Raise the bottom cage up to slide over the light cluster into the top cover. Secure with the cap nuts.

PART NUMBER

- A. (1)-Mounting Hardware
- B. (1)-Back Plate
- C. (1)-Top cover
- D. (4)-Glass Panels W10.13"*H13.75"
- E. (4)-Screws
- F. (1)-Bottom cage
- G. (4)-Machine Screws

WARNING: This product can expose you to Lead which is known to the state of California to cause cancer and/or birth defects or reproductive harm. For more information go to www.P65Warnings.ca.gov