

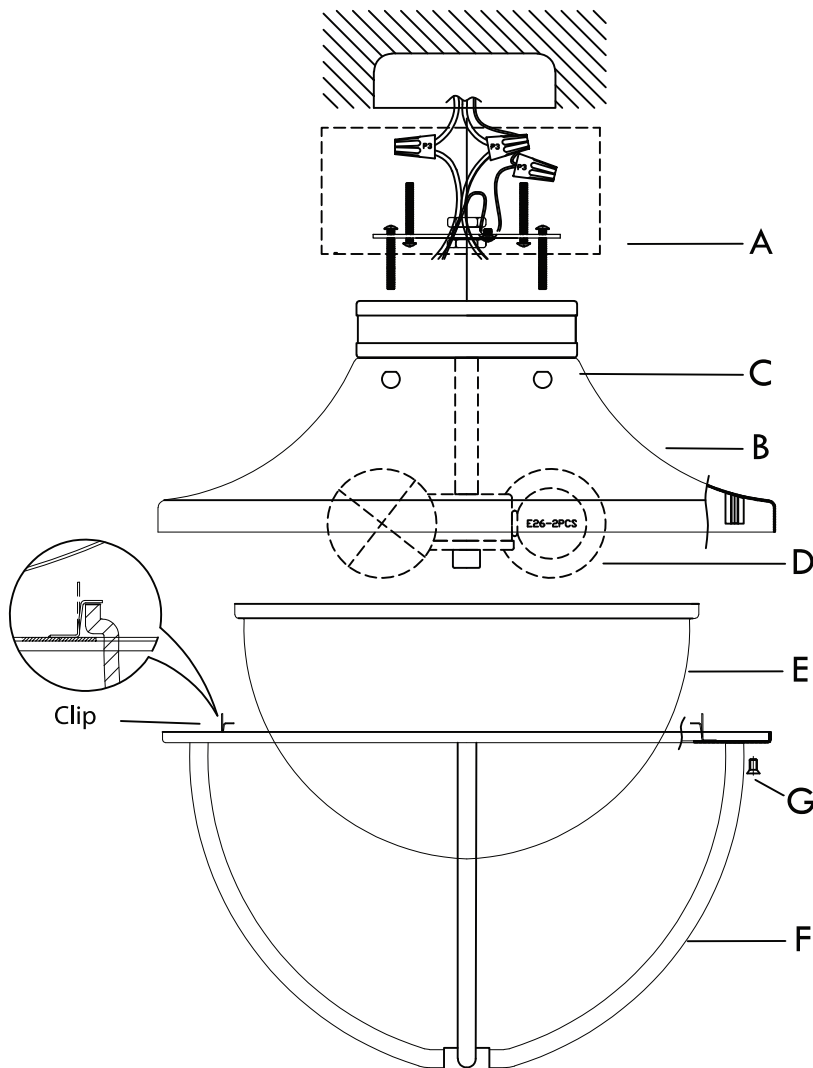
ASSEMBLY INSTRUCTION  
TOBIN OUTDOOR FLUSH MOUNT  
MODEL NO. LC005690



All electrical components must be installed by a licensed electrician in accordance with the National Electric Code and the appropriate local electrical codes.



You will need 2-Medium Base Bulb  
40 Watts Recommended 60 Watts Max.  
USE LED BULBS FOR EXTENDED USE  
This fixture is Wet Rated



## HOW TO INSTALL

1. Remove the bottom frame from the top frame by loosening the 4 flat head screws.
2. Install the mounting bar onto the outlet box using two outlet box screws.
3. Place the top frame over the mounting bar and secure with the ball nuts.
4. Place the glass shade inside the bottom frame and secure with the clips.
5. Install the bulb onto the socket. Raise the bottom frame up to the top frame and align the holes on them. While one person hold the frame, the other person tightens the screws using a screwdriver (not provided)

## PART NUMBER

- A. (1)-Mounting hardware
- B. (1)-Top Frame
- C. (2)-Ball nut
- D. (2)-Light cluster
- E. (1)-White glass shade  $\varnothing 10'' \times H5.5''$
- F. (1)-Bottom frame
- G. (4)-Flat head screws

WARNING: This product can expose you to Lead which is known to the state of California to cause cancer and/or birth defects or reproductive harm. For more information go to [www.P65Warnings.ca.gov](http://www.P65Warnings.ca.gov)